

# CONTENTS

TABLE OF CONTENTS.....1

TABLE OF CONTENTS.....2

## AC CIRCUITS/PANELS

AIR CONDITIONING.....3

AIR CONDITIONING OVERVIEW.....4

AC OUTLETS PORT.....5

AC OUTLETS STBD.....6

AC OUTLETS TV.....7

AC PANEL.....8

BATTERY CHARGER.....9

GENERATOR.....10

GYROSCOPIC STABILIZER.....11

REFRIGERATOR, CABIN.....12

REFRIGERATOR, COCKPIT.....13

WATER HEATER.....14

## DC CIRCUITS

12V AND USB OUTLETS.....15

AC BOOST, DASH.....16

AC BOOST, SEAT.....17

ACCESSORY RELAY.....18

AUTO FIRE EXTINGUISHER.....19

BATT CHARGING SYSTEM, AUX.....20

BATT CHARGING SYSTEM, START..21

BILGE BLOWERS.....22

BILGE PUMP, CABIN.....23

BILGE PUMPS, EQUIPMENT ROOM..24

BONDING.....25

BOW THRUSTER.....26

CARBON MONOXIDE DETECTOR.....27

DC DISTRIBUTION.....28

DIGITAL BREAKER RESET.....29

DIGITAL SWITCHING CABIN.....30

DIGITAL SWITCHING HELM.....31

DIGITAL SWITCHING OVERVIEW...32

FIRE SHUTDOWN BOX.....33

FOOT REST CENTER, STBD.....34

FOOT REST PORT.....35

FUME DETECTOR.....36

HATCH RAM, EQUIPMENT ROOM...37

HEAD BLOWER.....38

HIGH WATER ALARM.....39

HORN.....40

# CONTENTS

## LIGHTS

CABIN LIGHTS.....	41
COURTESY LIGHTS/REMOTE BOX...	42
DOCKINGS LIGHTS.....	43
EQUIPMENT ROOM.....	44
HEAD LIGHTS.....	45
NAV/ANCH.....	46
SPOTLIGHT.....	47
SPREADER LIGHT.....	48
MACERATOR.....	49
NEMA 2000 OVERVIEW.....	50
SHORECORD REEL.....	51
SHOWER SUMP.....	52
STEREO AMP.....	53
STEREO AMP 2.....	54
STEREO AMP 3.....	55
STEREO SYSTEM (OVERVIEW).....	56
SUN ROOF.....	57
SUN SHADE.....	58
TABLE LIFTS(BOW).....	59
TABLE LIFTS.....	60
TRIM TABS.....	61
TV INPUT.....	62
UNDERWATER LIGHTS.....	63
VHF RADIO.....	64

WASTE SYSTEM (OVERVIEW).....	65
WASTE SYSTEM (FLOAT).....	66
WASTE SYSTEM (TANK WATCH).....	67
WASTE SYSTEM (TOILET).....	68
WATER PUMP.....	69
WINDLASS.....	70
WIPER.....	71

## DC PANELS

ACCESSORY PANEL.....	72
AFT BREAKER PANEL.....	73
CABIN DC PANEL.....	74
DASH BREAKER PANEL.....	75
HELM SWITCH PANEL.....	76

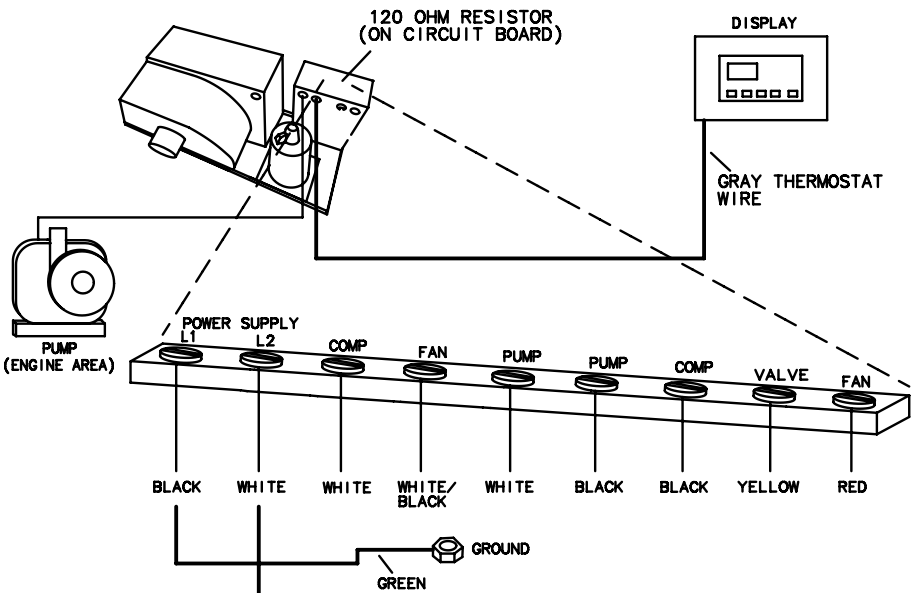
## PLUMBING

BILGE PUMPS.....	77
SHOWER SUMP.....	78
WASTE SYSTEM.....	79
WATER SYSTEM.....	80

## FUEL SYSTEM

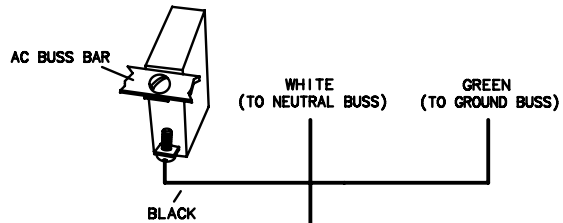
FUEL SYSTEM GAS.....	81
----------------------	----

CABIN AIR CONDITIONER  
(LOCATED IN PORT STORAGE  
OF THE CABIN)

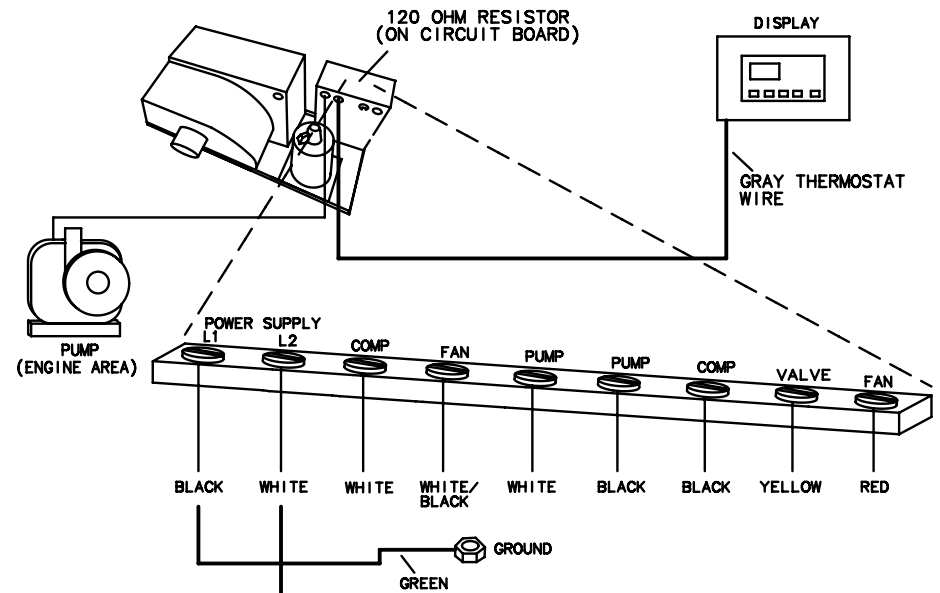


CABIN AIR COND BREAKER  
(120V AC SYSTEM PANEL)  
(REAR VIEW)

12/2 AC WIRE

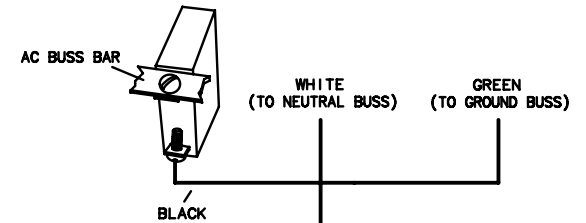


COCKPIT AIR CONDITIONER  
(LOCATED IN HELM SEAT)

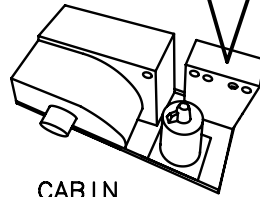
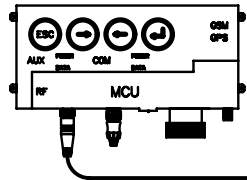


COCKPIT AIR COND BREAKER  
(120V AC SYSTEM PANEL)  
(REAR VIEW)

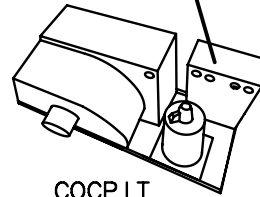
12/2 AC WIRE



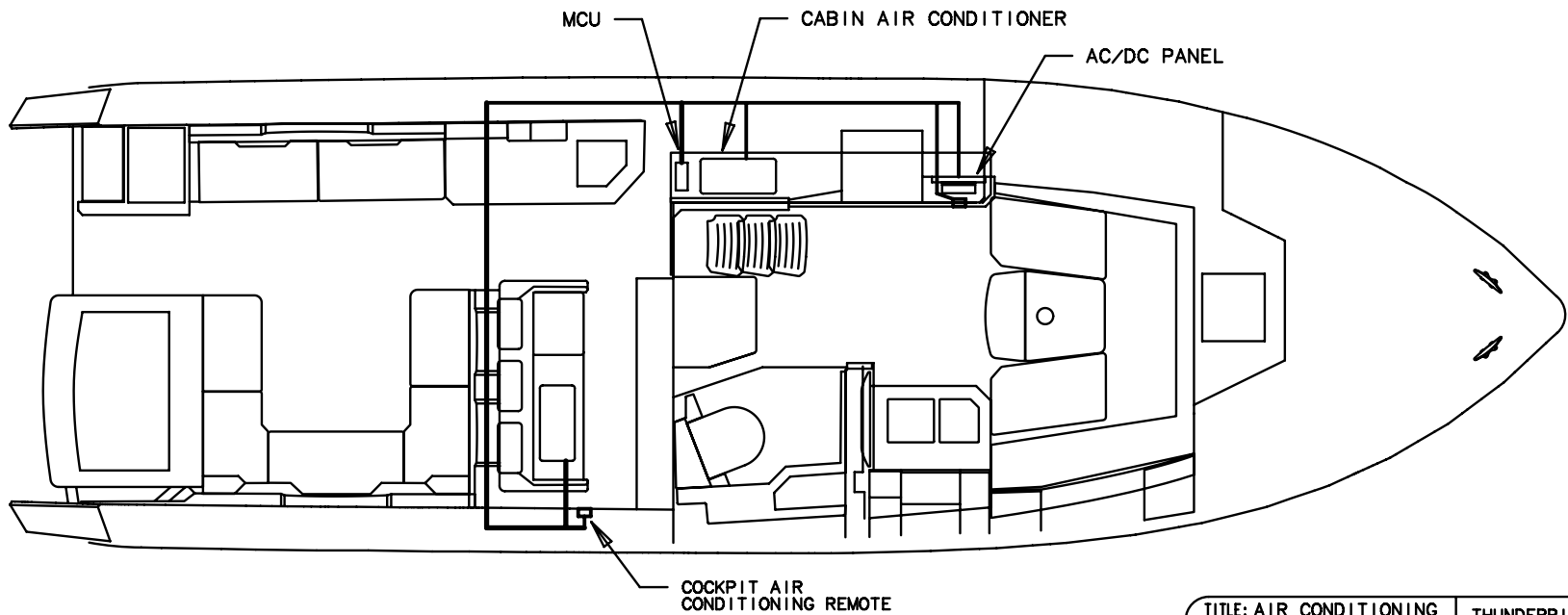
TITLE: AIR CONDITIONERS		THUNDERBIRD PRODUCTS
		P.O. BOX 1003
MOD.: 430 SSC	DR BY: KPP	DECATUR IN., 46733
NO.: 3	DATE: 12-9-17	(260) 724-9111



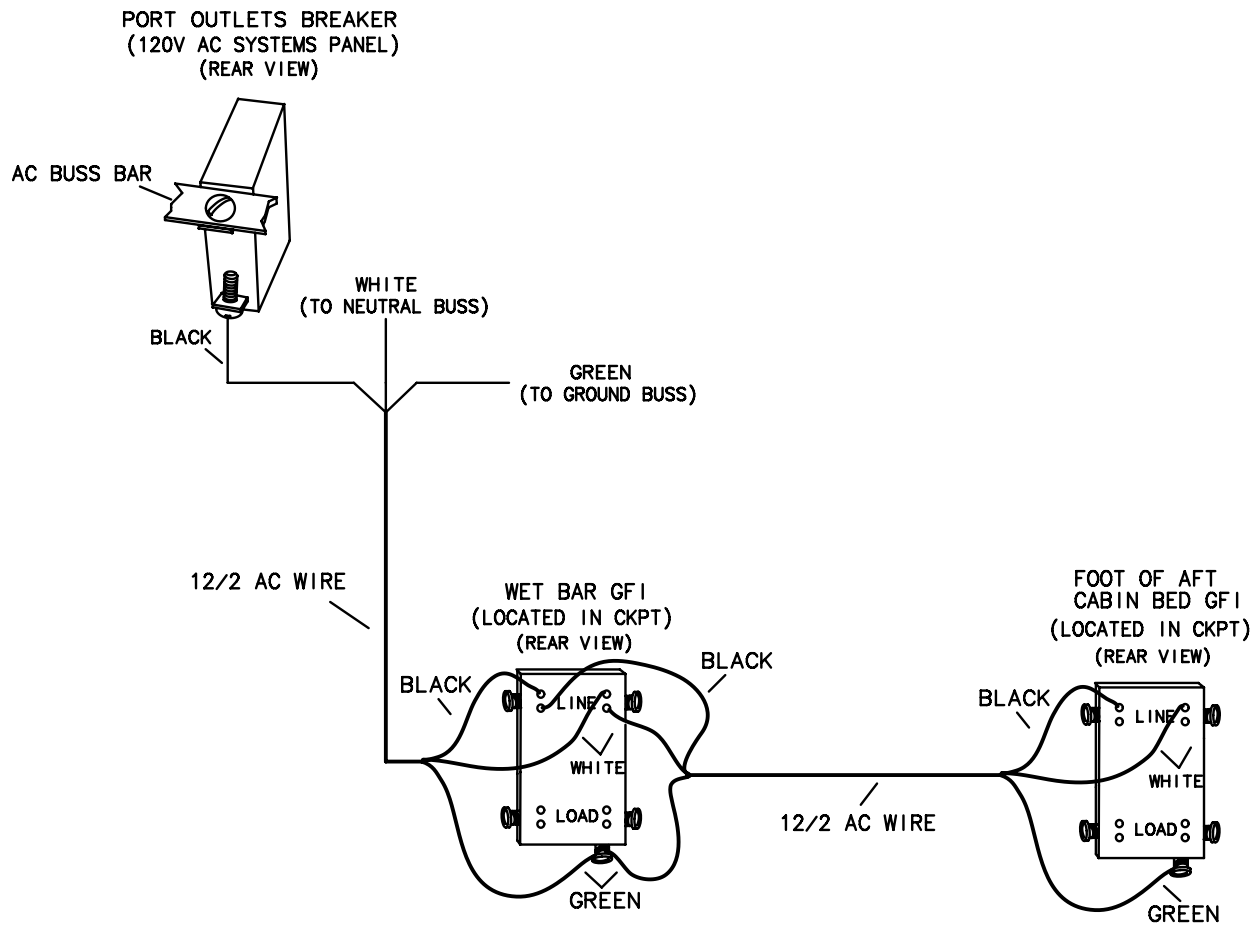
CABIN AIR



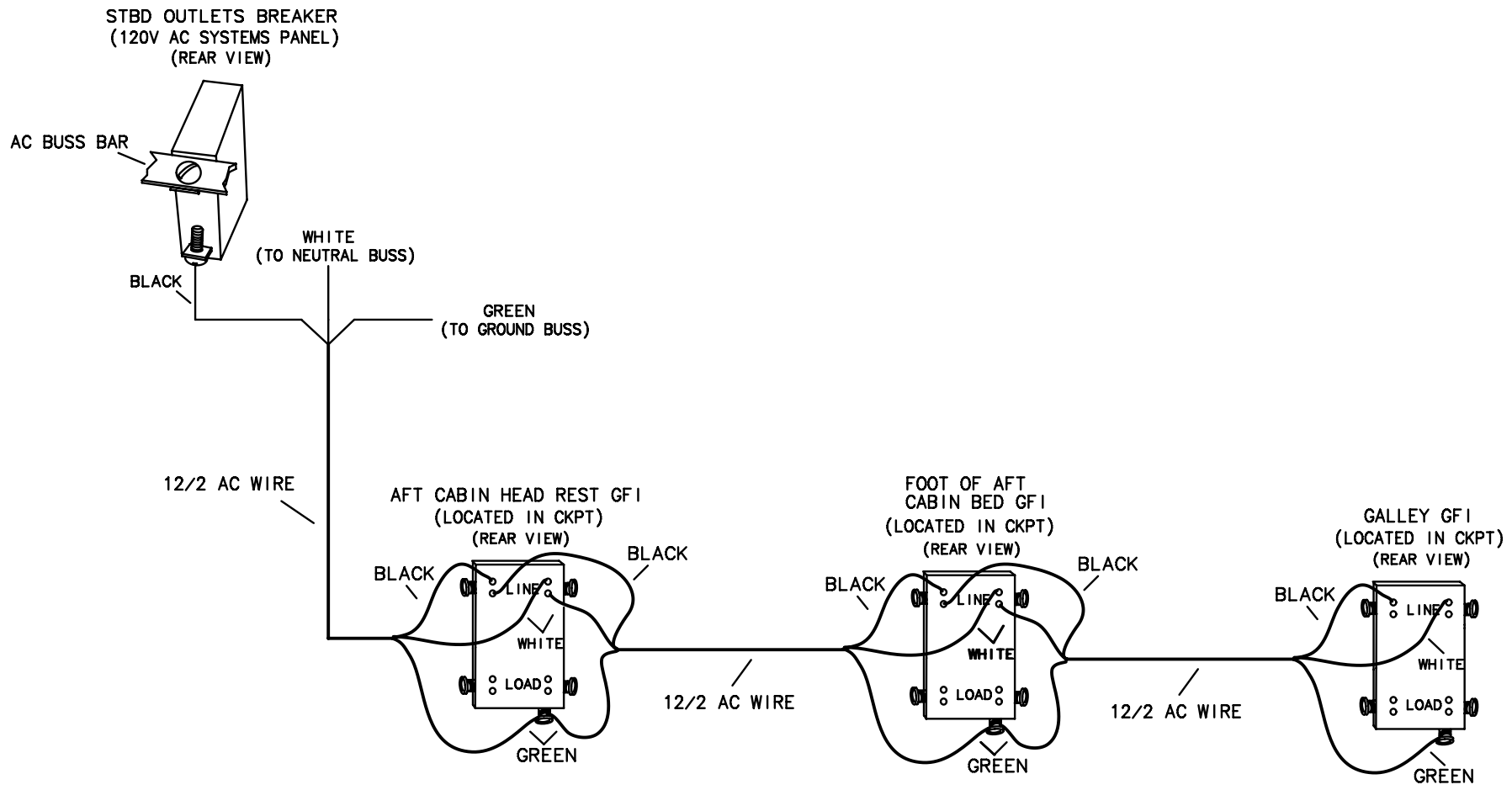
COCKPIT AIR



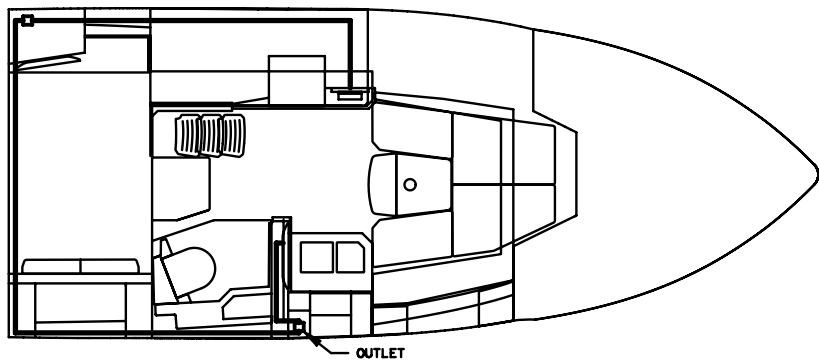
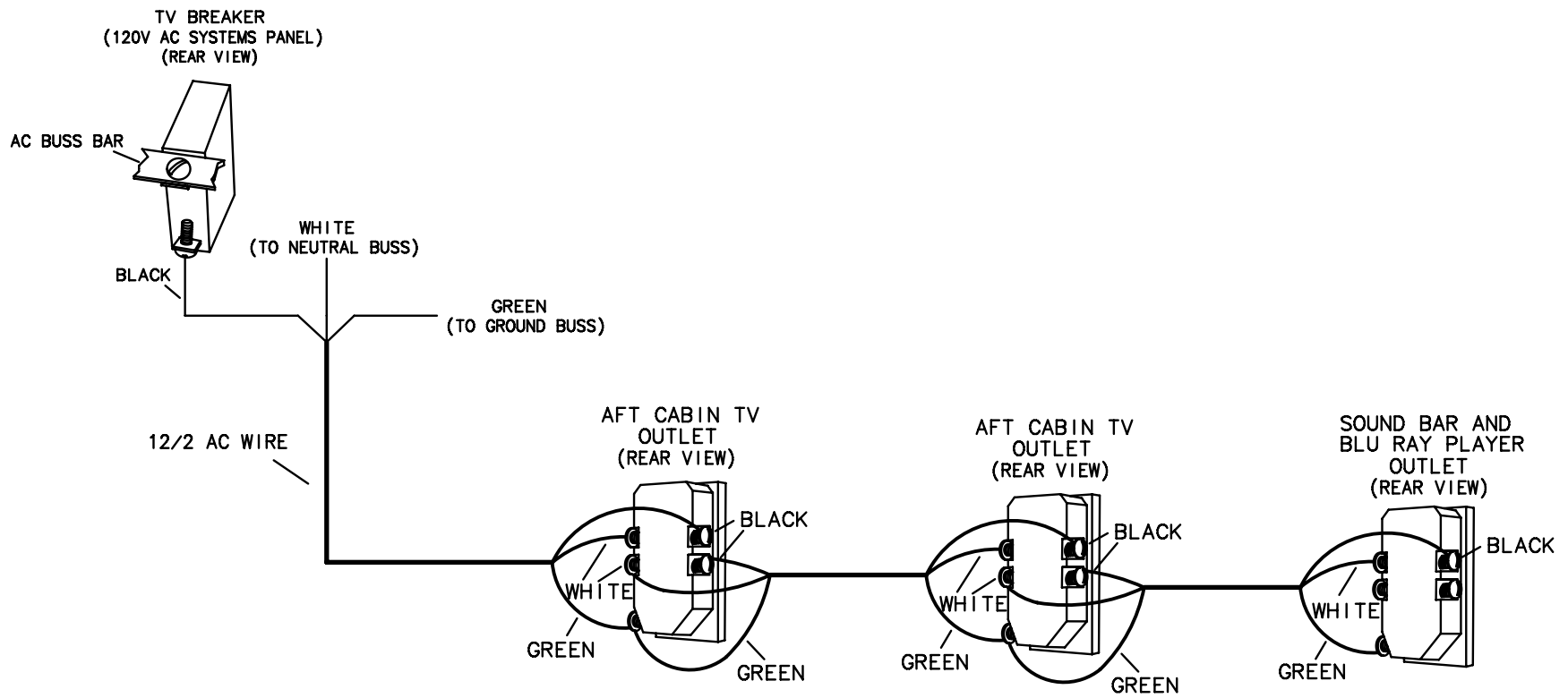
TITLE: AIR CONDITIONING SYSTEM OVERVIEW		THUNDERBIRD PRODUCTS
		P.O. BOX 1003
MOD.: 430 SSC	DR BY: KPP	DECATUR IN., 46733
NO.: 4	DATE:12-9-17	(260) 724-9111



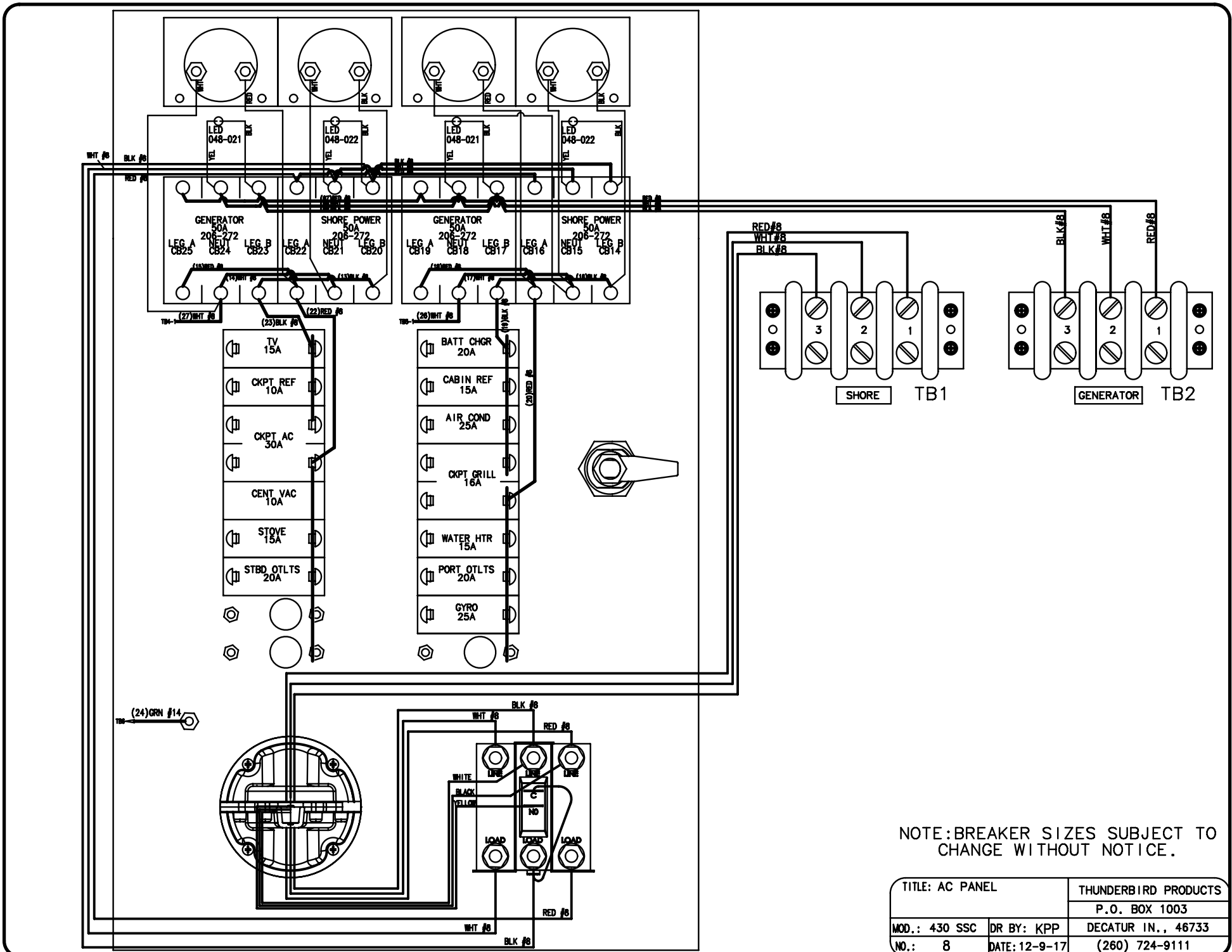
TITLE: AC OUTLETS PORT		THUNDERBIRD PRODUCTS
		P.O. BOX 1003
MOD.: 430 SSC	DR BY: KPP	DECATUR IN., 46733
NO.: 5	DATE: 12-9-17	(260) 724-9111



TITLE: AC OUTLETS STBD		THUNDERBIRD PRODUCTS
		P.O. BOX 1003
MOD.: 430 SSC	DR BY: KPP	DECATUR IN., 46733
NO.: 6	DATE: 12-9-17	(260) 724-9111



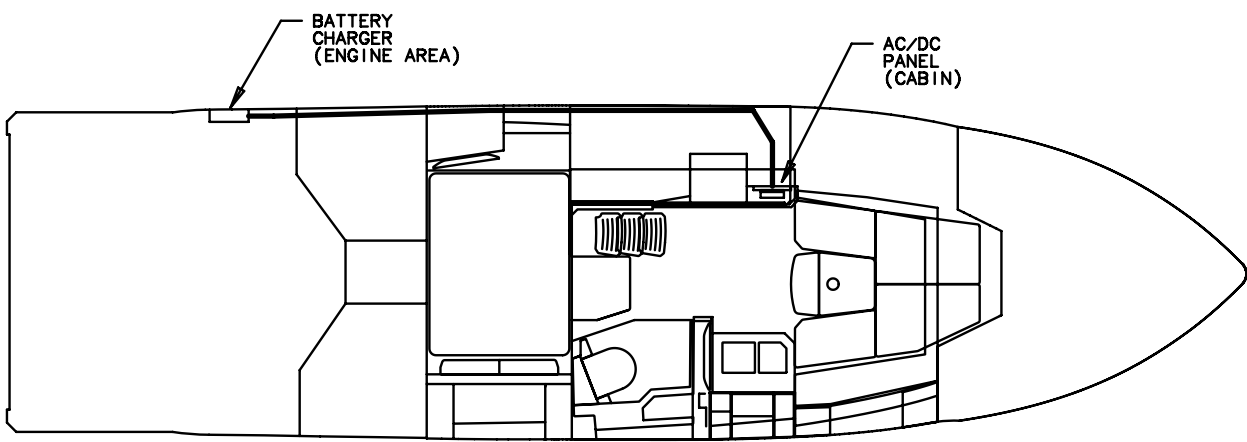
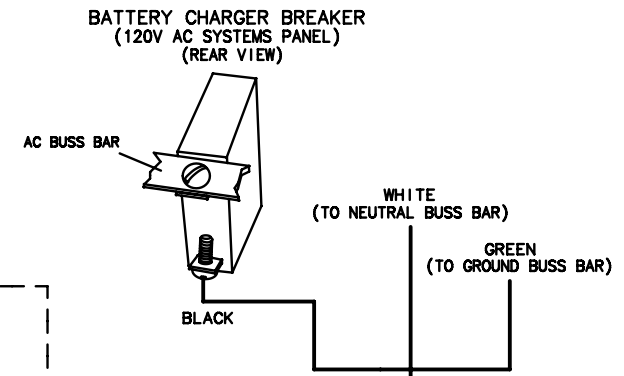
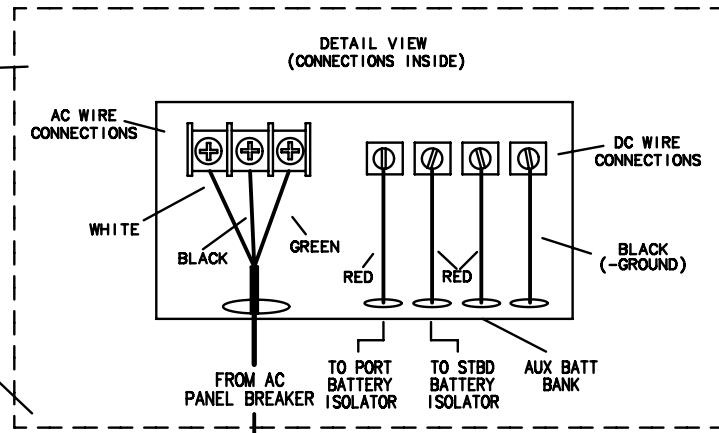
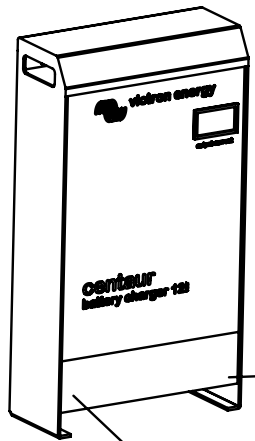
TITLE: AC OUTLETS, TV		THUNDERBIRD PRODUCTS
		P.O. BOX 1003
MOD.: 430 SSC	DR BY: KPP	DECATUR IN., 46733
NO.: 7	DATE: 12-9-17	(260) 724-9111



NOTE: BREAKER SIZES SUBJECT TO CHANGE WITHOUT NOTICE.

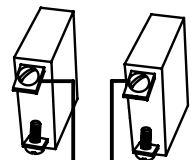
TITLE: AC PANEL		THUNDERBIRD PRODUCTS
		P.O. BOX 1003
MOD.: 430 SSC	DR BY: KPP	DECATUR IN., 46733
NO.: 8	DATE: 12-9-17	(260) 724-9111





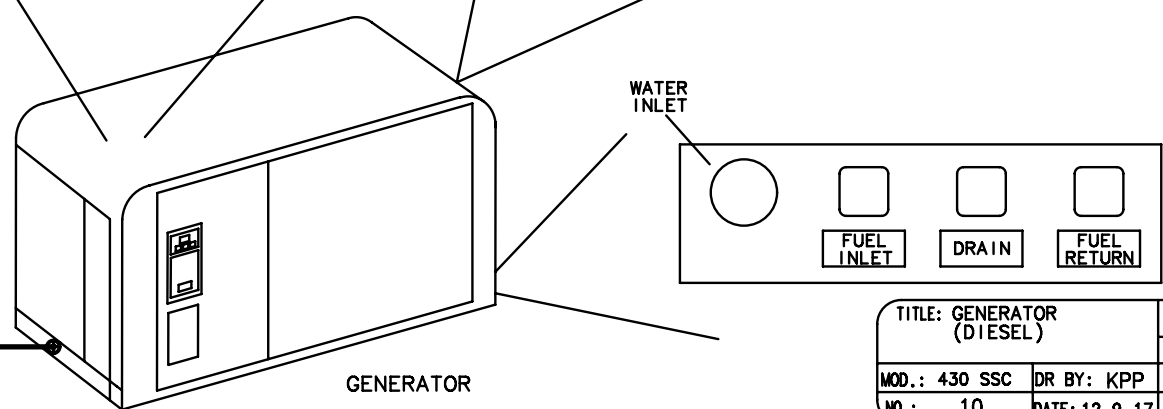
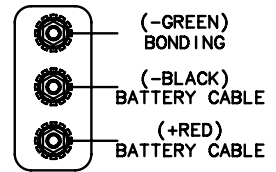
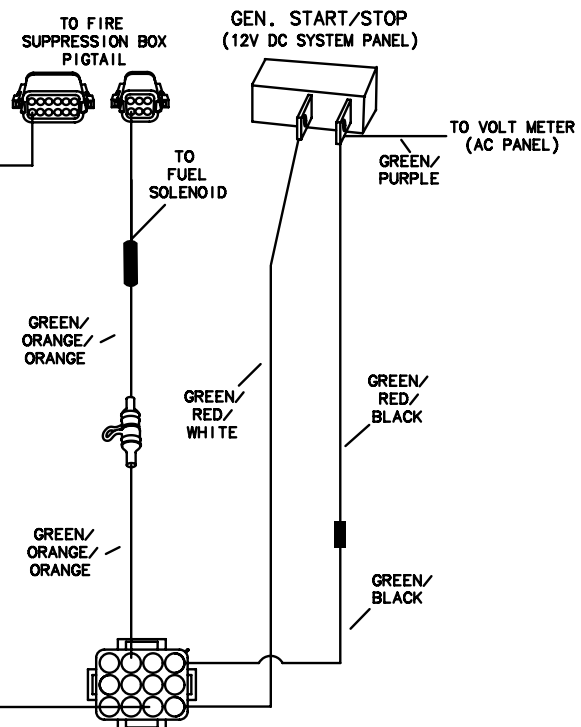
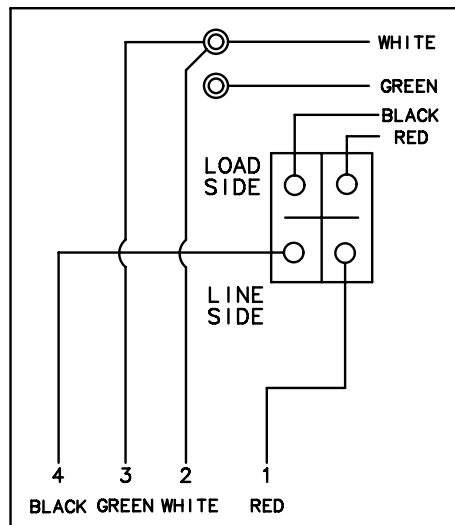
TITLE: BATTERY CHARGER		THUNDERBIRD PRODUCTS
		P.O. BOX 1003
MOD.: 430 SSC	DR BY: KPP	DECATUR IN., 46733
NO.: 9	DATE: 12-9-17	(260) 724-9111

GENERATOR BREAKERS  
(120V AC PANEL)  
(REAR VIEW)

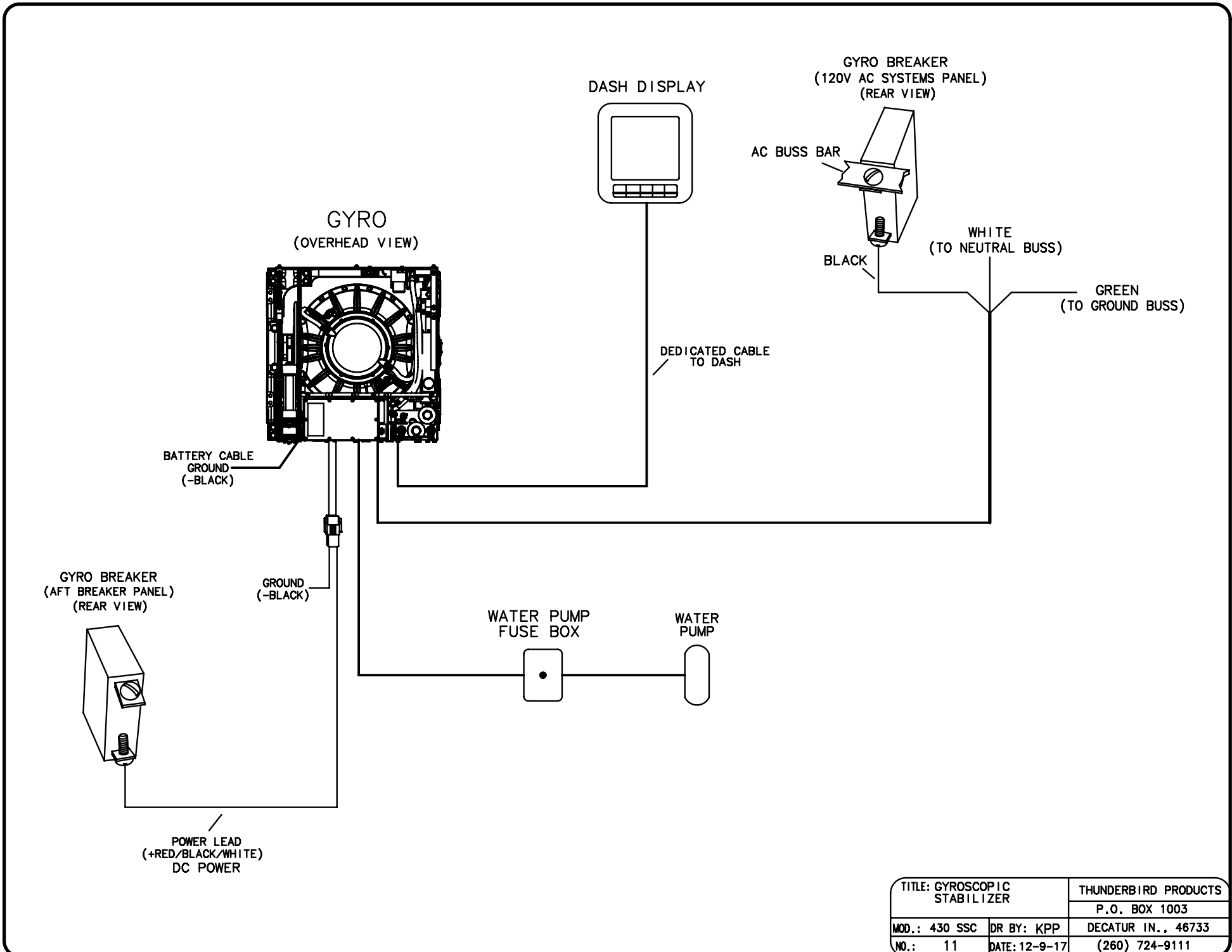


WHITE  
BLACK  
GREEN  
(TO GROUND BUSS)

AC BOAT CABLE




TITLE: GENERATOR (DIESEL)		THUNDERBIRD PRODUCTS
		P.O. BOX 1003
MOD.: 430 SSC	DR BY: KPP	DECATUR IN., 46733
NO.: 10	DATE: 12-9-17	(260) 724-9111



TITLE: GYROSCOPIC STABILIZER		THUNDERBIRD PRODUCTS
		P.O. BOX 1003
MOD.: 430 SSC	DR BY: KPP	DECATUR IN., 46733
NO.: 11	DATE: 12-9-17	(260) 724-9111

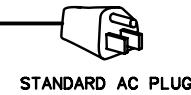
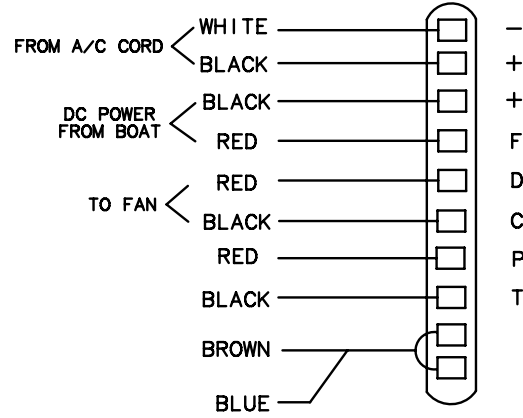
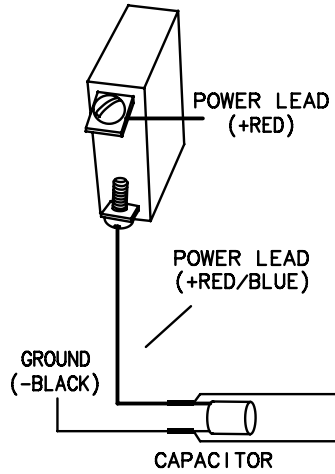
# LEGEND

PLUG INTERCONNECT 

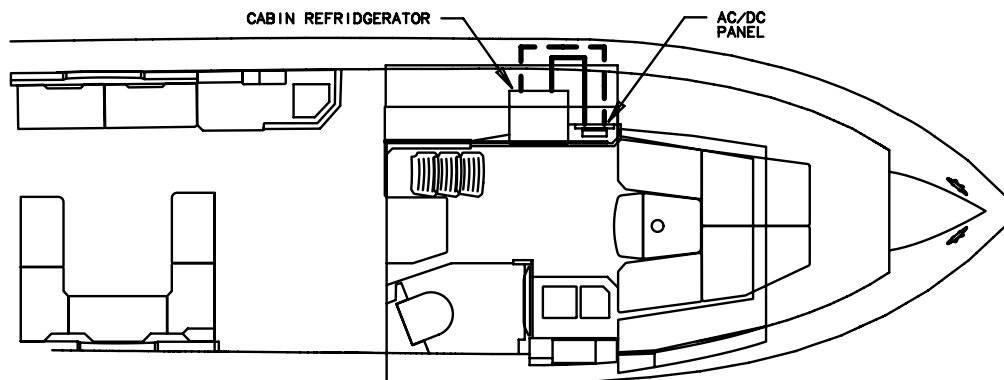
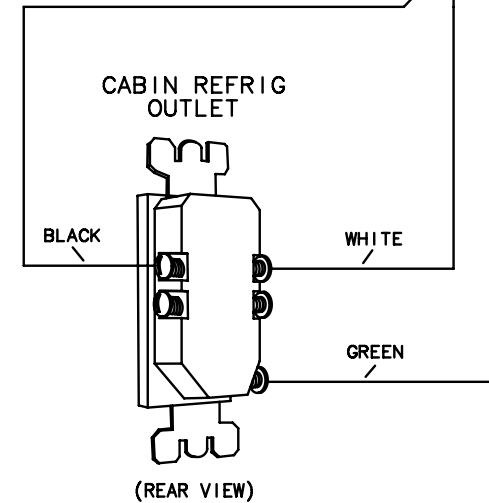
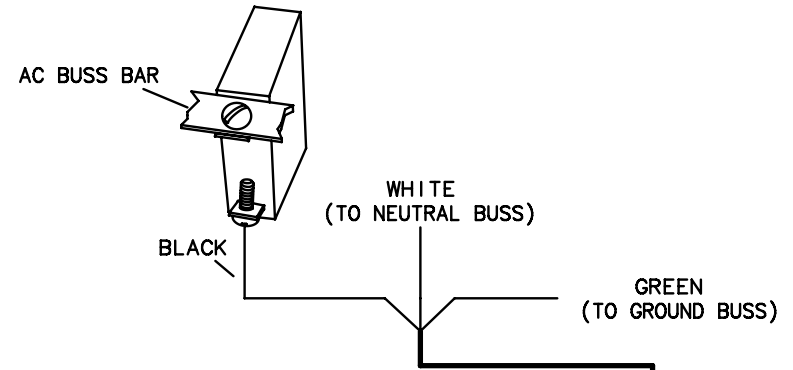
DC WIRES 

AC WIRES 

CABIN REFRIG BREAKER  
(CABIN DC BREAKER PANEL)  
(REAR VIEW)




CABIN REFRIG BREAKER  
(120V AC SYSTEMS PANEL)  
(REAR VIEW)



TITLE: CABIN REFRIDGERATOR		THUNDERBIRD PRODUCTS
		P.O. BOX 1003
MOD.: 430 SSC	DR BY: KPP	DECATUR IN., 46733
NO.: 12	DATE: 12-9-17	(260) 724-9111

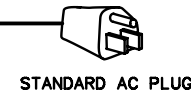
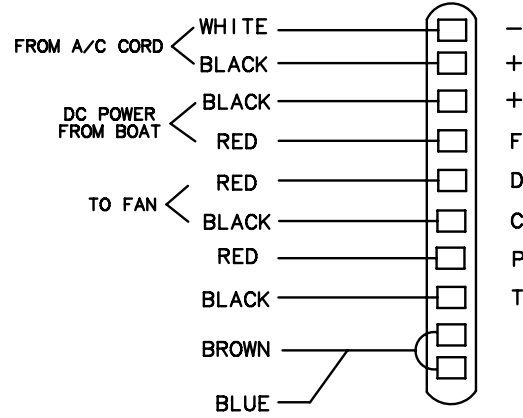
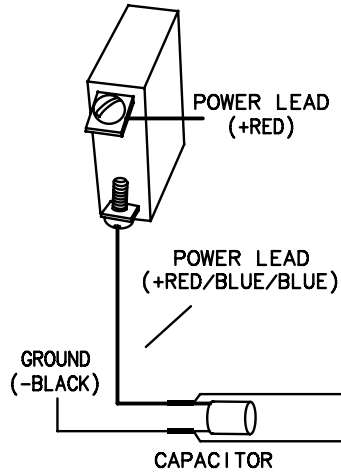
# LEGEND

PLUG INTERCONNECT 

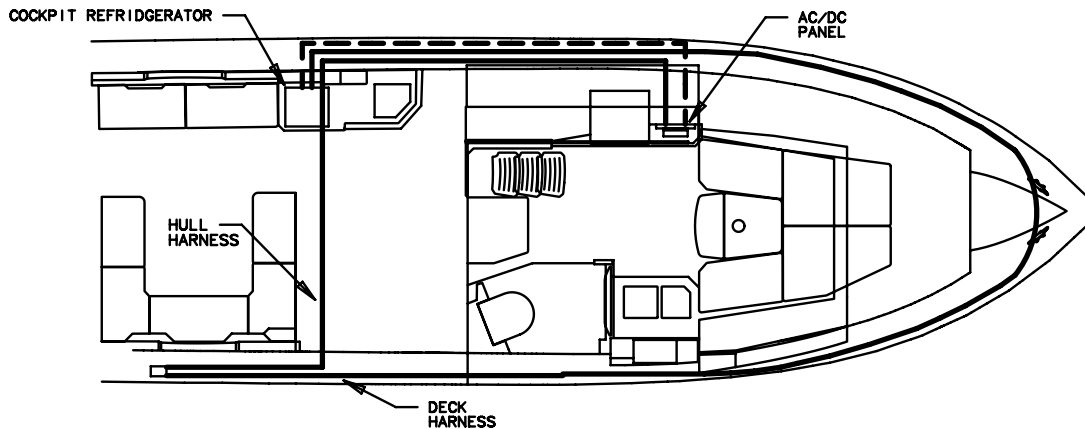
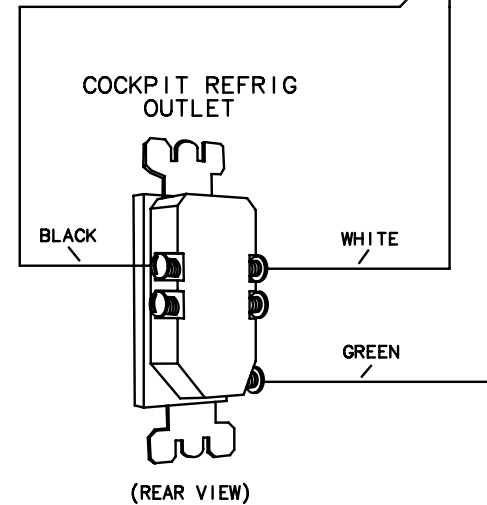
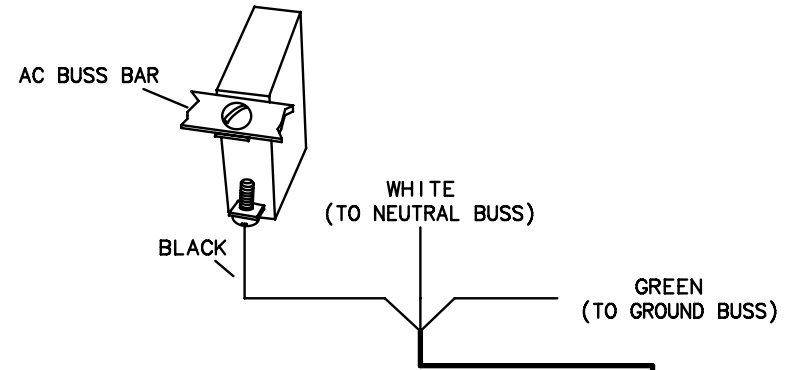
DC WIRES 

AC WIRES 

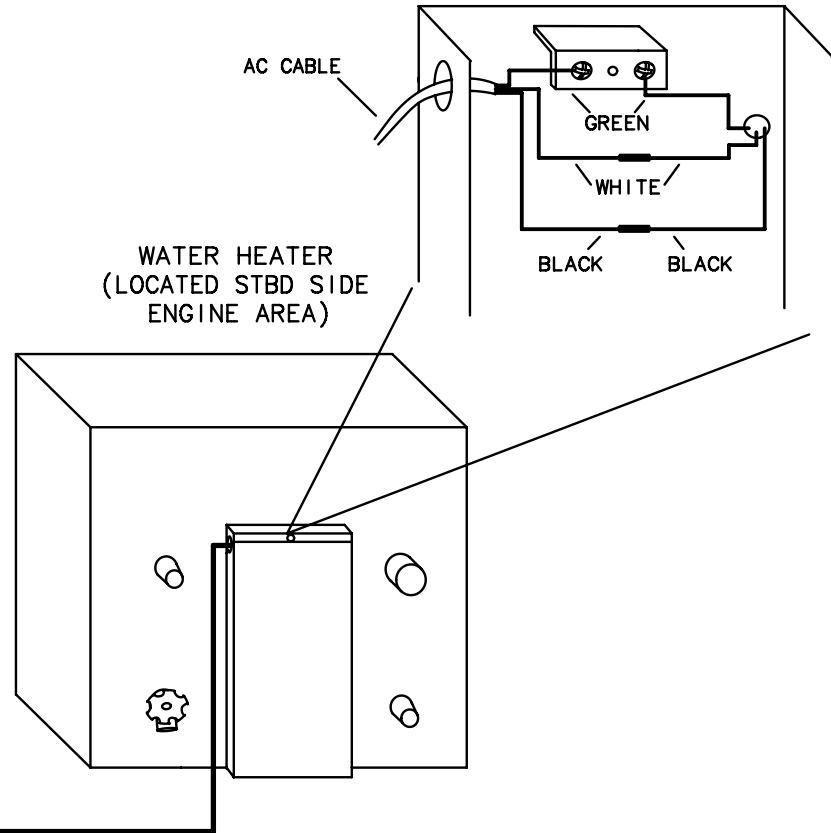
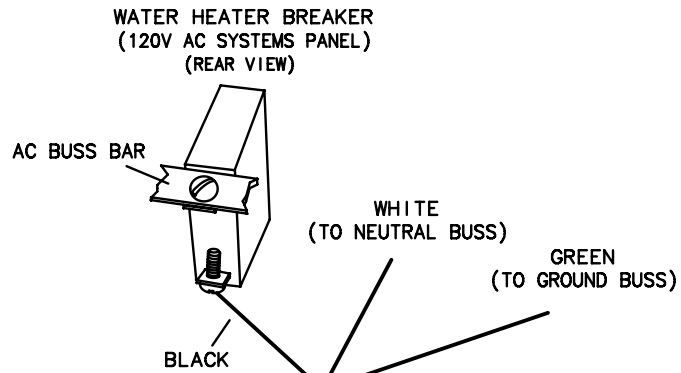
COCKPIT REFRIG BREAKER  
(CABIN DC BREAKER PANEL)  
(REAR VIEW)



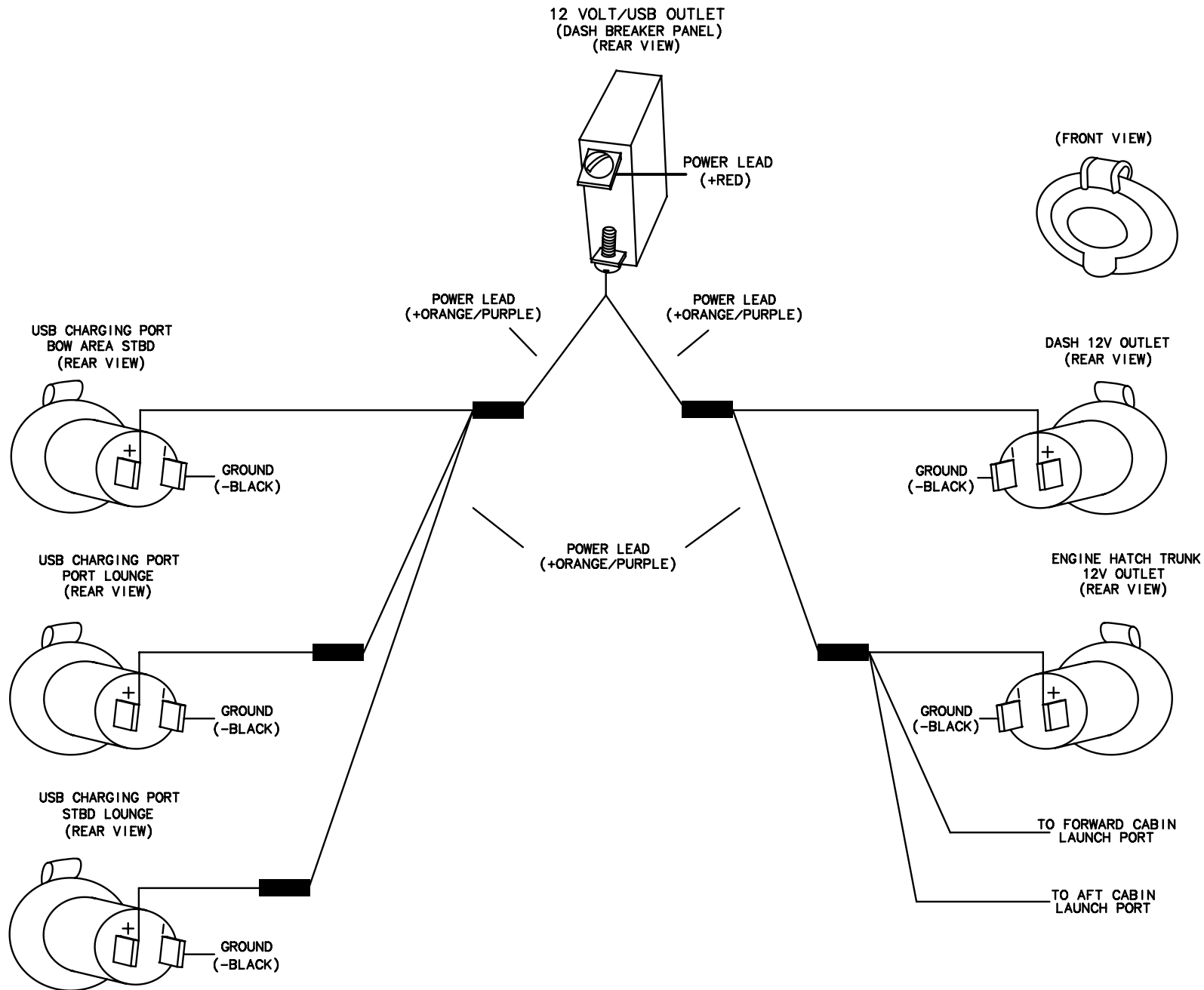
COCKPIT REFRIG BREAKER  
(120V AC SYSTEMS PANEL)  
(REAR VIEW)



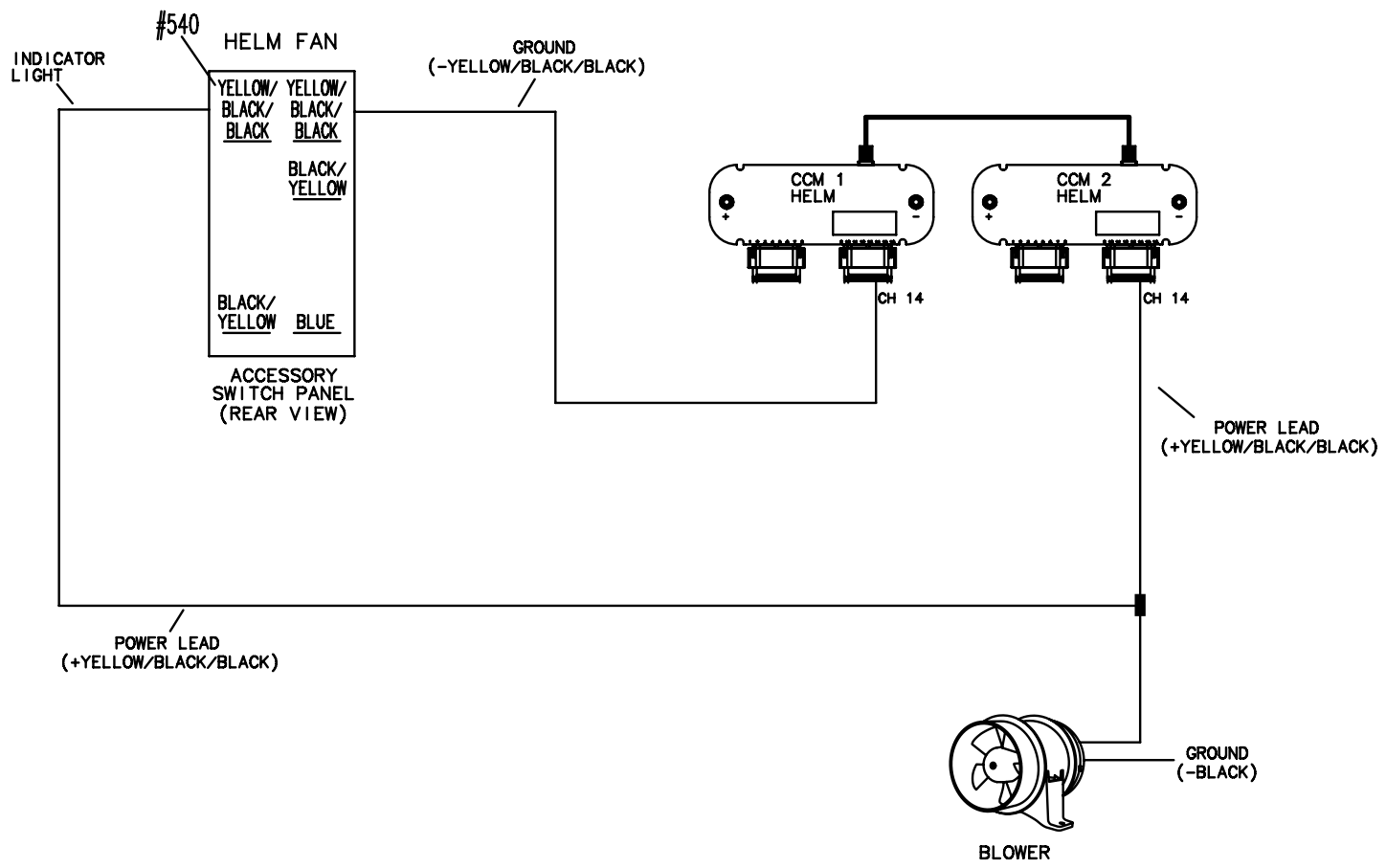
TITLE: COCKPIT REFRIDGERATOR		THUNDERBIRD PRODUCTS
		P.O. BOX 1003
MOD.: 430 SSC	DR BY: KPP	DECATUR IN., 46733
NO.: 13	DATE: 12-9-17	(260) 724-9111



TITLE: WATER HEATER		THUNDERBIRD PRODUCTS
		P.O. BOX 1003
MOD.: 430 SSC	DR BY: KPP	DECATUR IN., 46733
NO.: 14	DATE: 12-9-17	(260) 724-9111

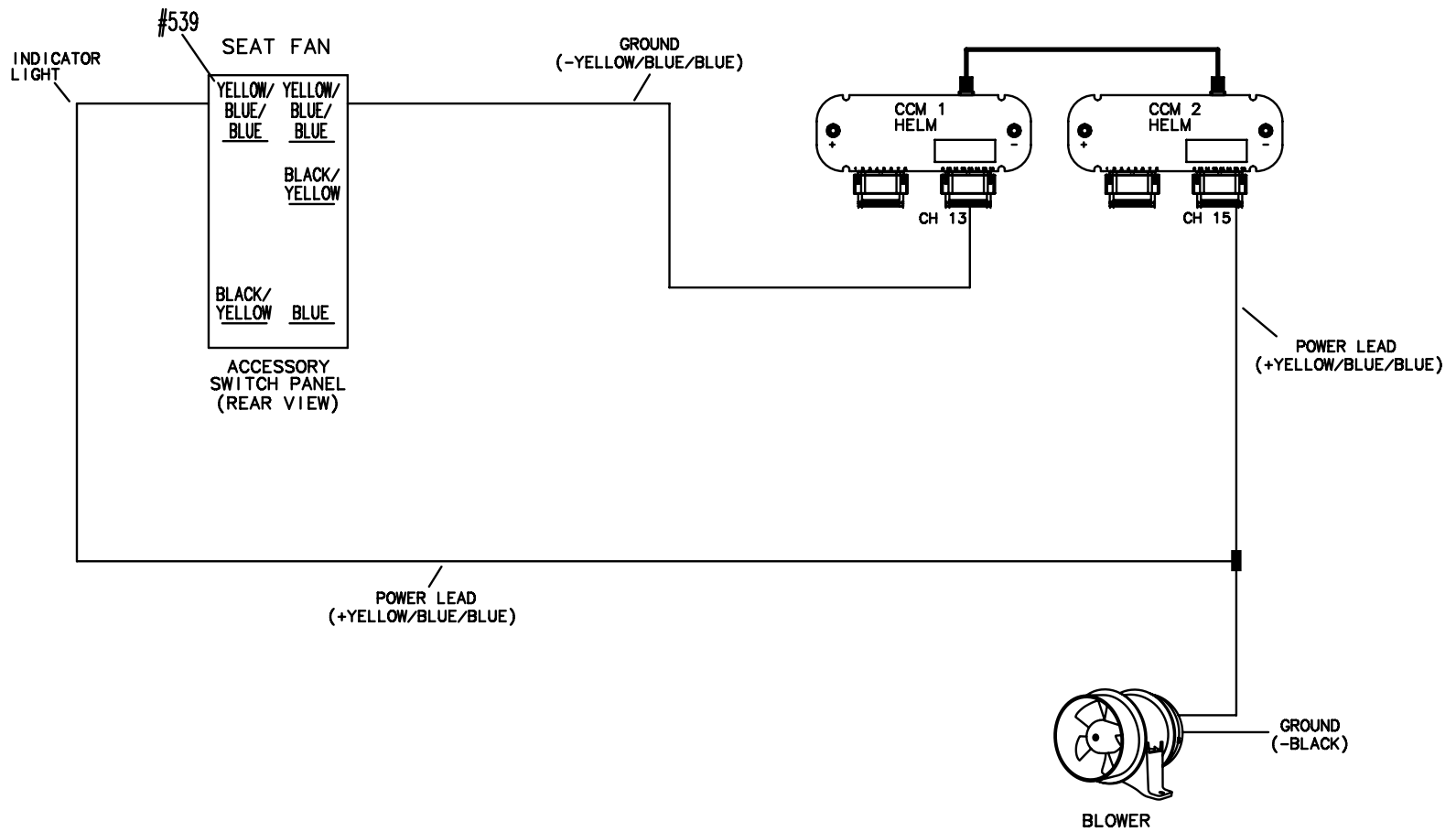


TITLE: 12V/USB OUTLETS/ LAUNCH PORTS		THUNDERBIRD PRODUCTS
		P.O. BOX 1003
MOD.: 430 SSC	DR BY: KPP	DECATUR IN., 46733
NO.: 15	DATE: 12-9-17	(260) 724-9111

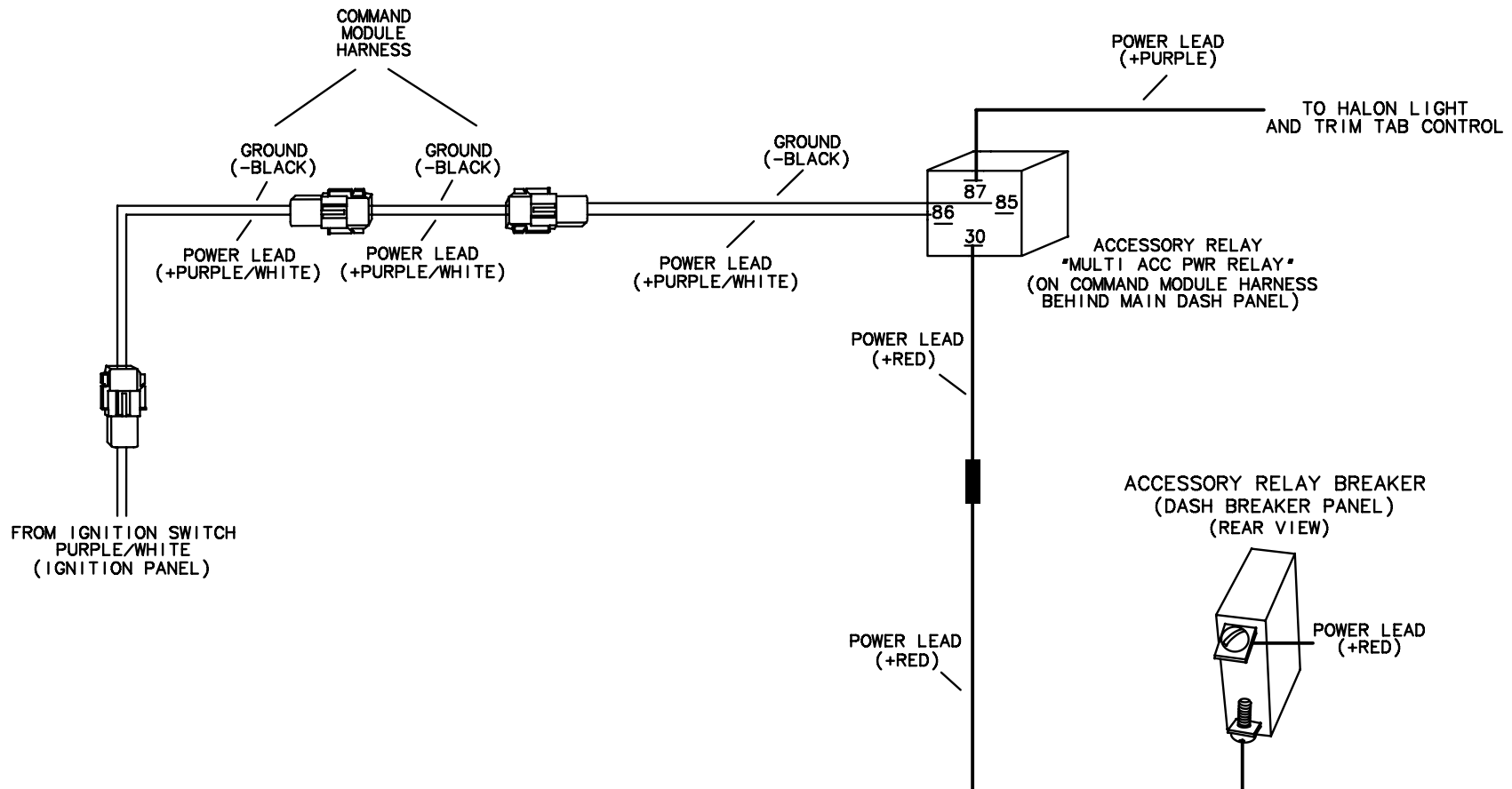


TITLE: AC BOOST DASH		THUNDERBIRD PRODUCTS
		P.O. BOX 1003
MOD.: 430 SSC	DR BY: KPP	DECATUR IN., 46733
NO.: 16	DATE: 12-9-17	(260) 724-9111





TITLE: AC BOOST SEAT		THUNDERBIRD PRODUCTS
		P.O. BOX 1003
MOD.: 430 SSC	DR BY: KPP	DECATUR IN., 46733
NO.: 17	DATE: 12-9-17	(260) 724-9111



TITLE: ACCESSORY RELAY		THUNDERBIRD PRODUCTS
		P.O. BOX 1003
MOD.: 430 SSC	DR BY: KPP	DECATUR IN., 46733
NO.: 18	DATE: 12-9-17	(260) 724-9111

# LEGEND

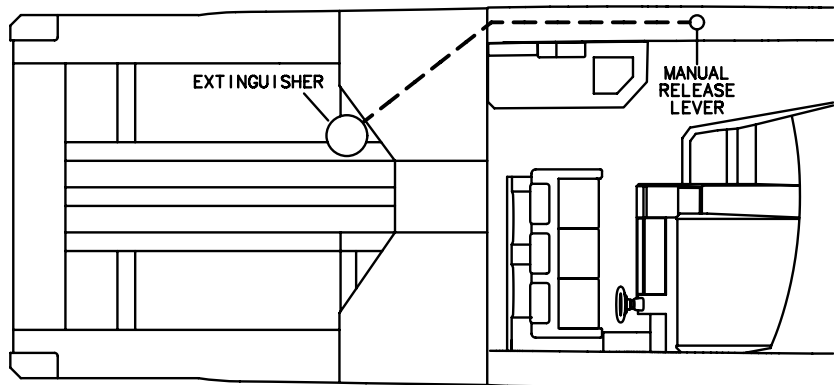
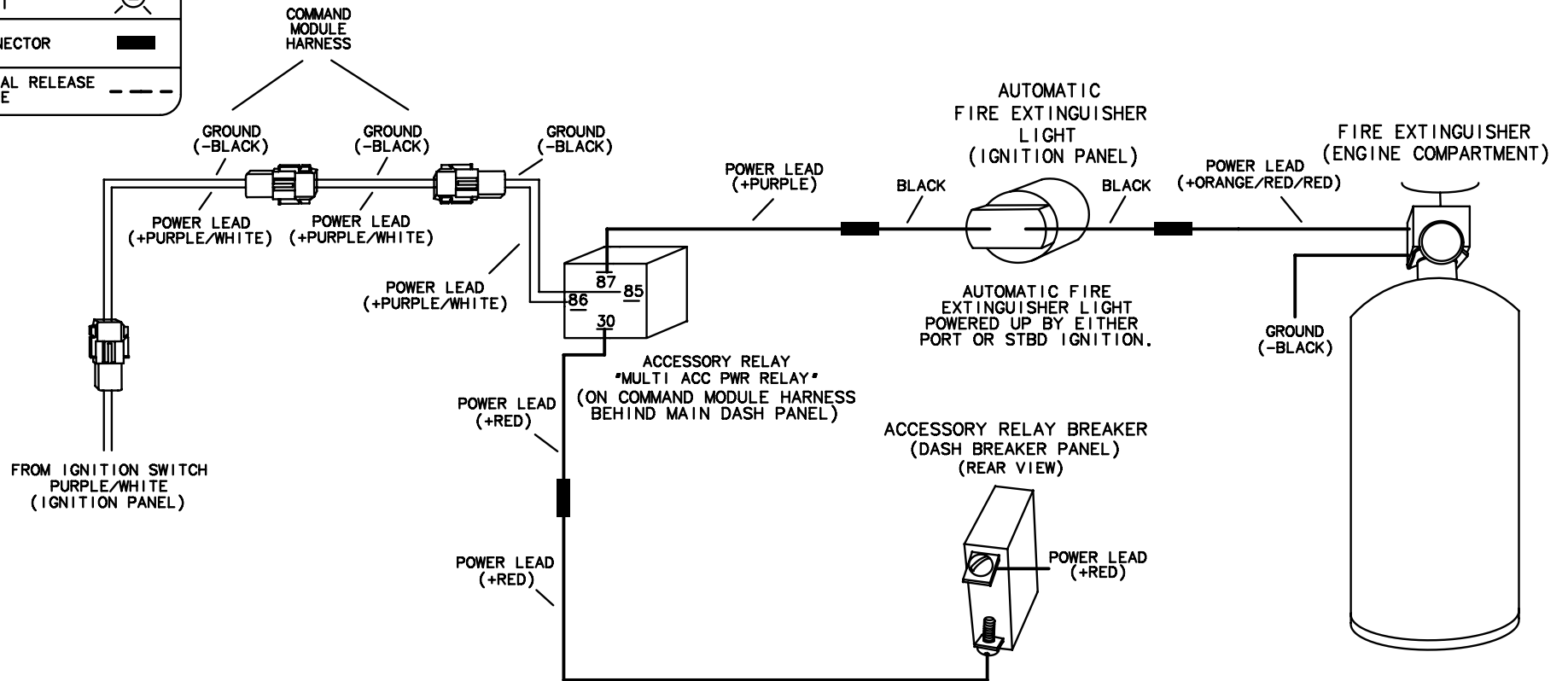
C-BREAKER PANEL 

PLUG INTERCONNECT 

FIRE EXTINGUISH LIGHT 

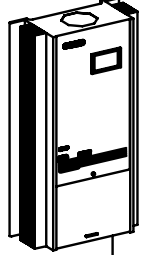
CONNECTOR 

MANUAL RELEASE CABLE 

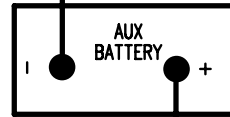
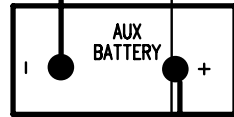


TITLE: AUTOMATIC FIRE EXTINGUISHER		THUNDERBIRD PRODUCTS
		P.O. BOX 1003
MOD.: 430 SSC	DR BY: KPP	DECATUR IN., 46733
NO.: 19	DATE: 12-9-17	(260) 724-9111

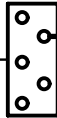
BATTERY CHARGER



100A



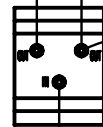
GROUNDING BLOCK



120A

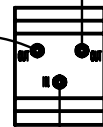


TO STBD ENG BATTERY



ENGINE ALTERNATOR

TO STBD ENG INNER BATTERY

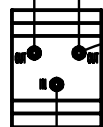


ENGINE ALTERNATOR

120A

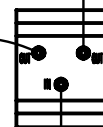


TO PORT ENG INNER BATTERY



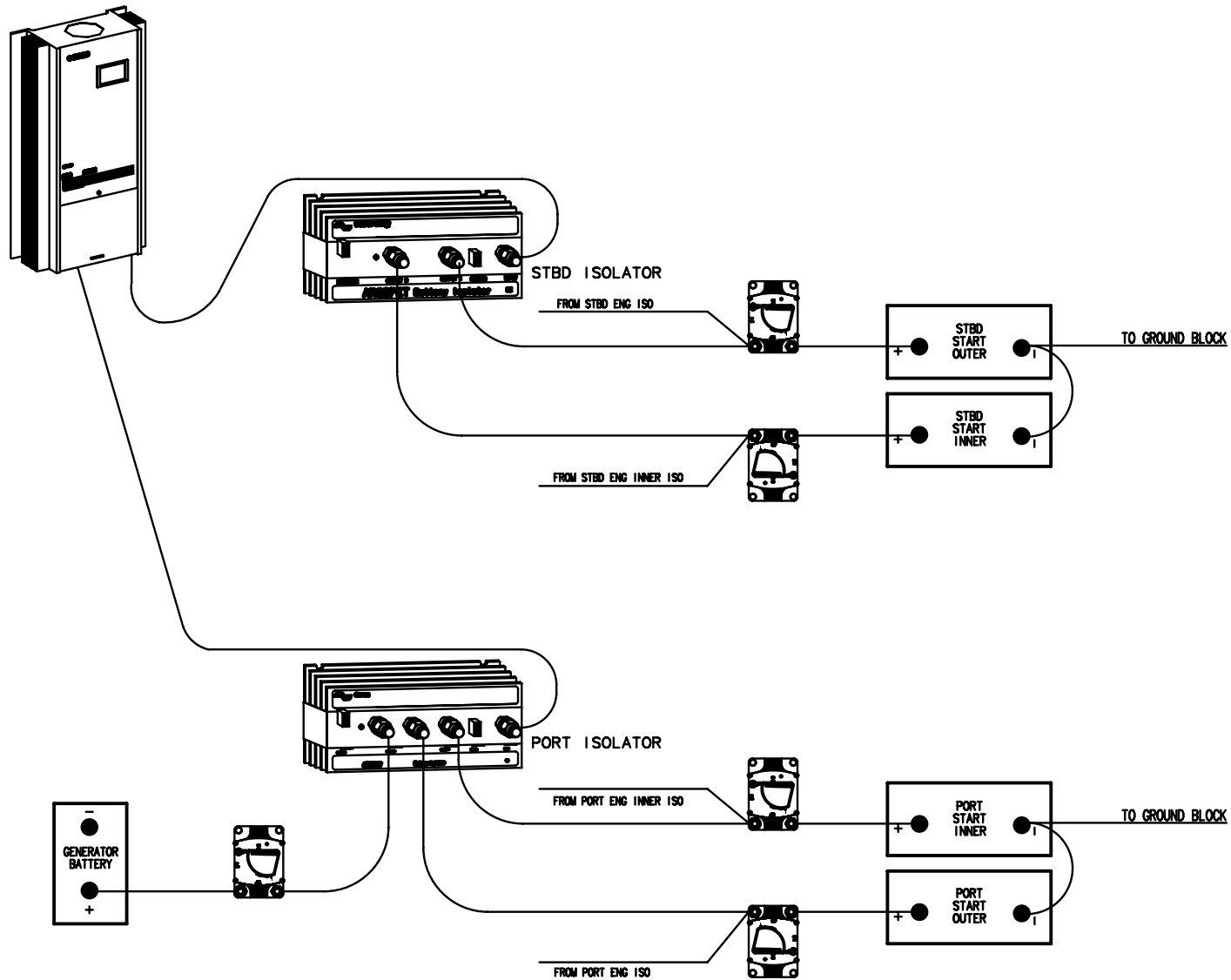
ENGINE ALTERNATOR

TO PORT ENG BATTERY



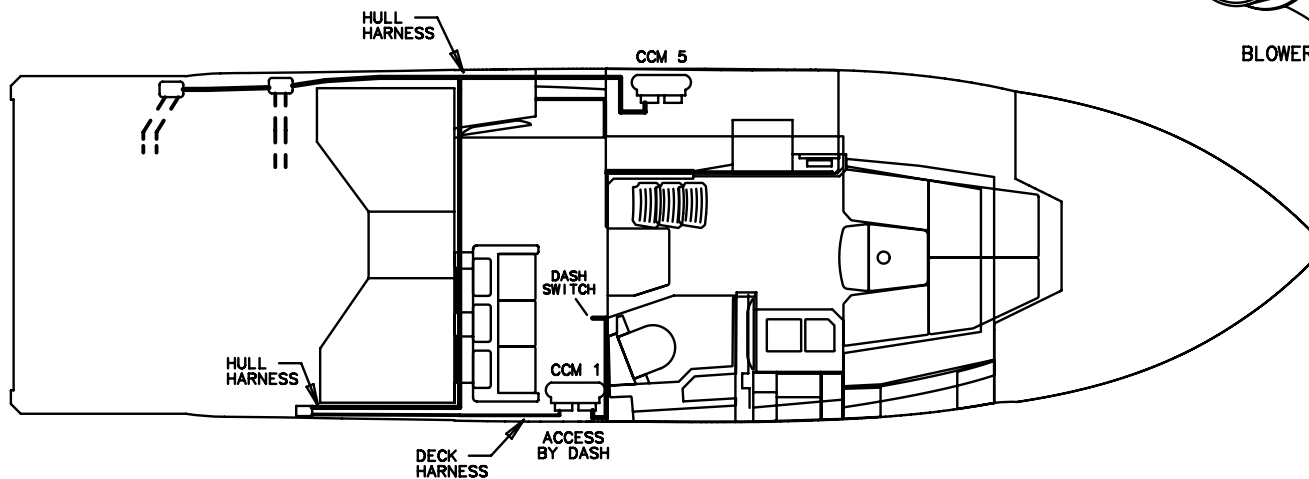
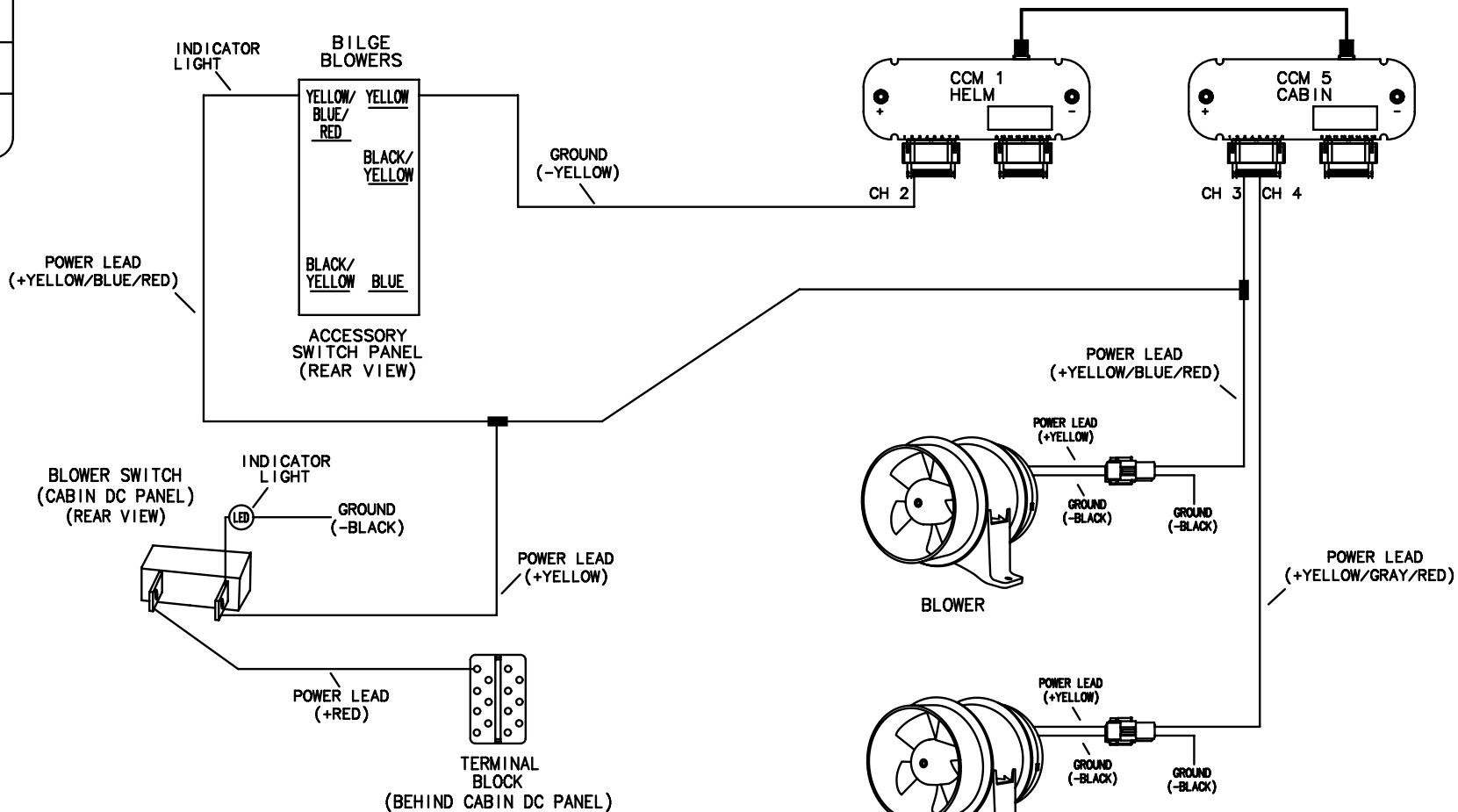
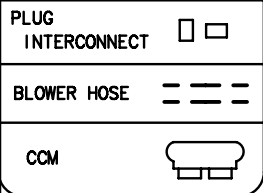
ENGINE ALTERNATOR

TITLE: BATTERY CHARGING SYS AUXILIARY BATTERIES		THUNDERBIRD PRODUCTS P.O. BOX 1003 DECATUR IN., 46733 (260) 724-9111
MOD.: 430 SSC	DR BY: KPP	
NO.: 20	DATE: 12-9-17	

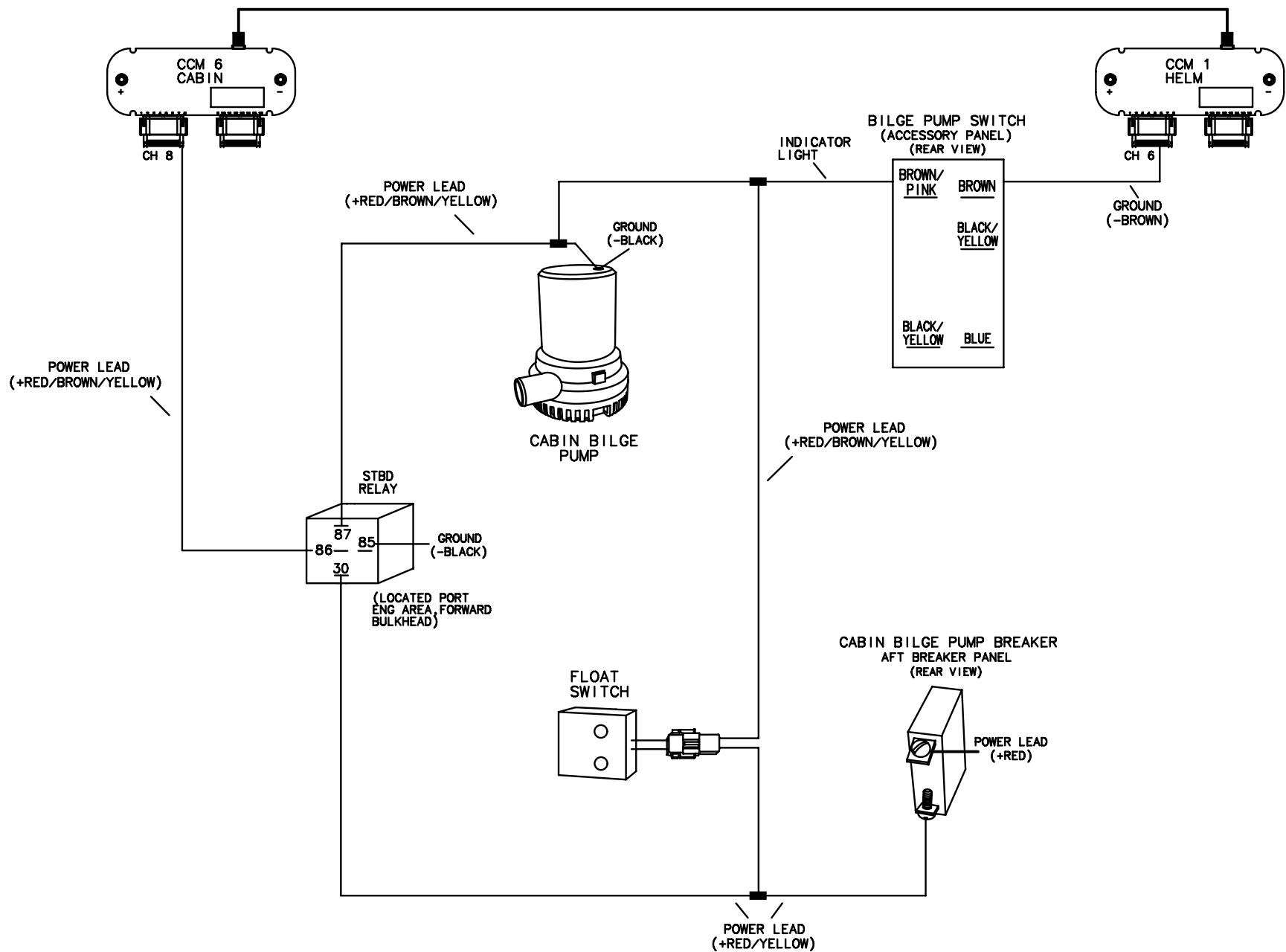


TITLE: BATTERY CHARGING START/GEN BATTERIES		THUNDERBIRD PRODUCTS P.O. BOX 1003
MOD.: 430 SSC	DR BY: KPP	DECATUR IN., 46733
NO.: 21	DATE: 12-9-17	(260) 724-9111

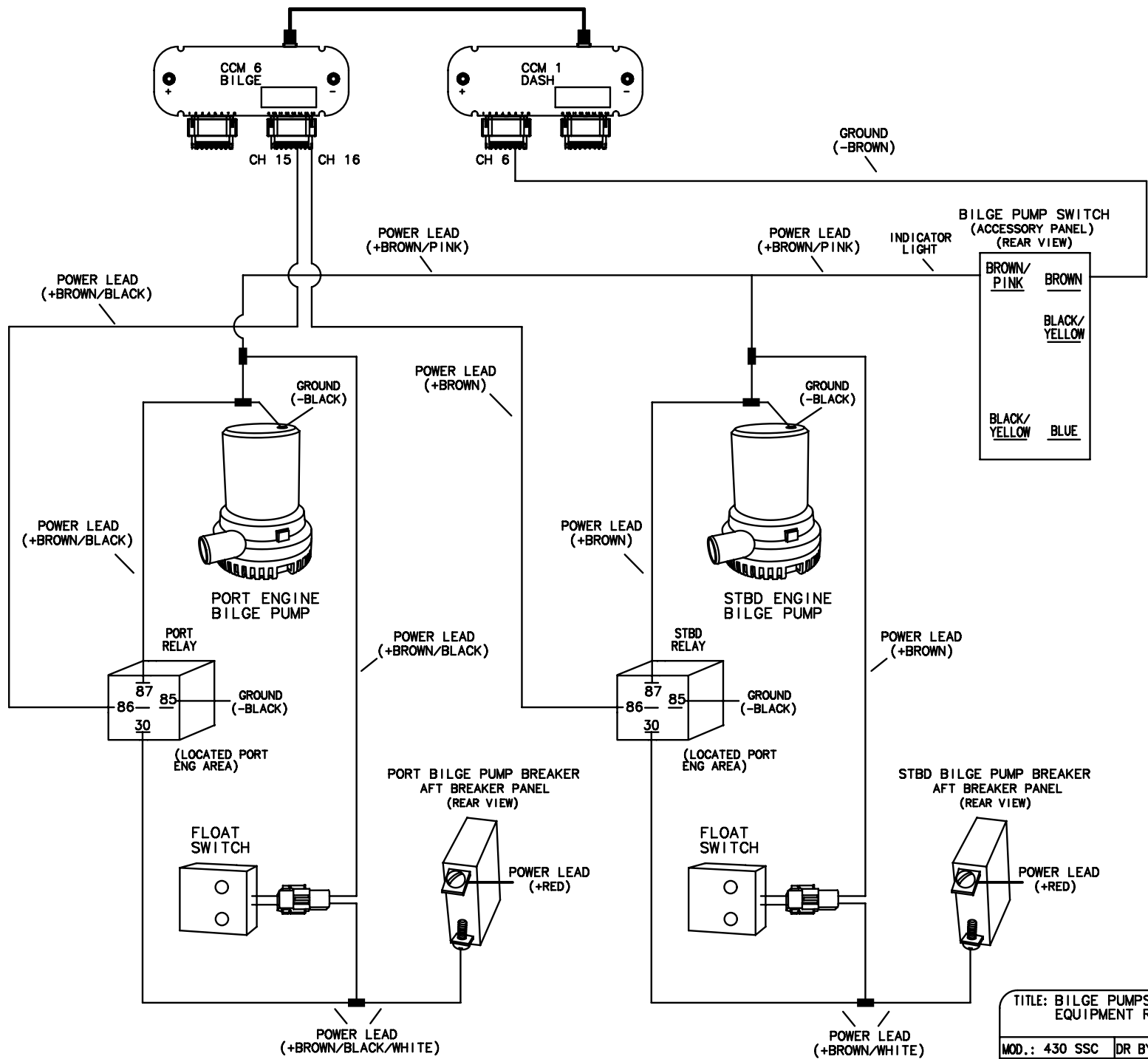
# LEGEND



TITLE: BILGE BLOWERS		THUNDERBIRD PRODUCTS
		P.O. BOX 1003
MOD.: 430 SSC	DR BY: KPP	DECATUR IN., 46733
NO.: 22	DATE: 12-9-17	(260) 724-9111



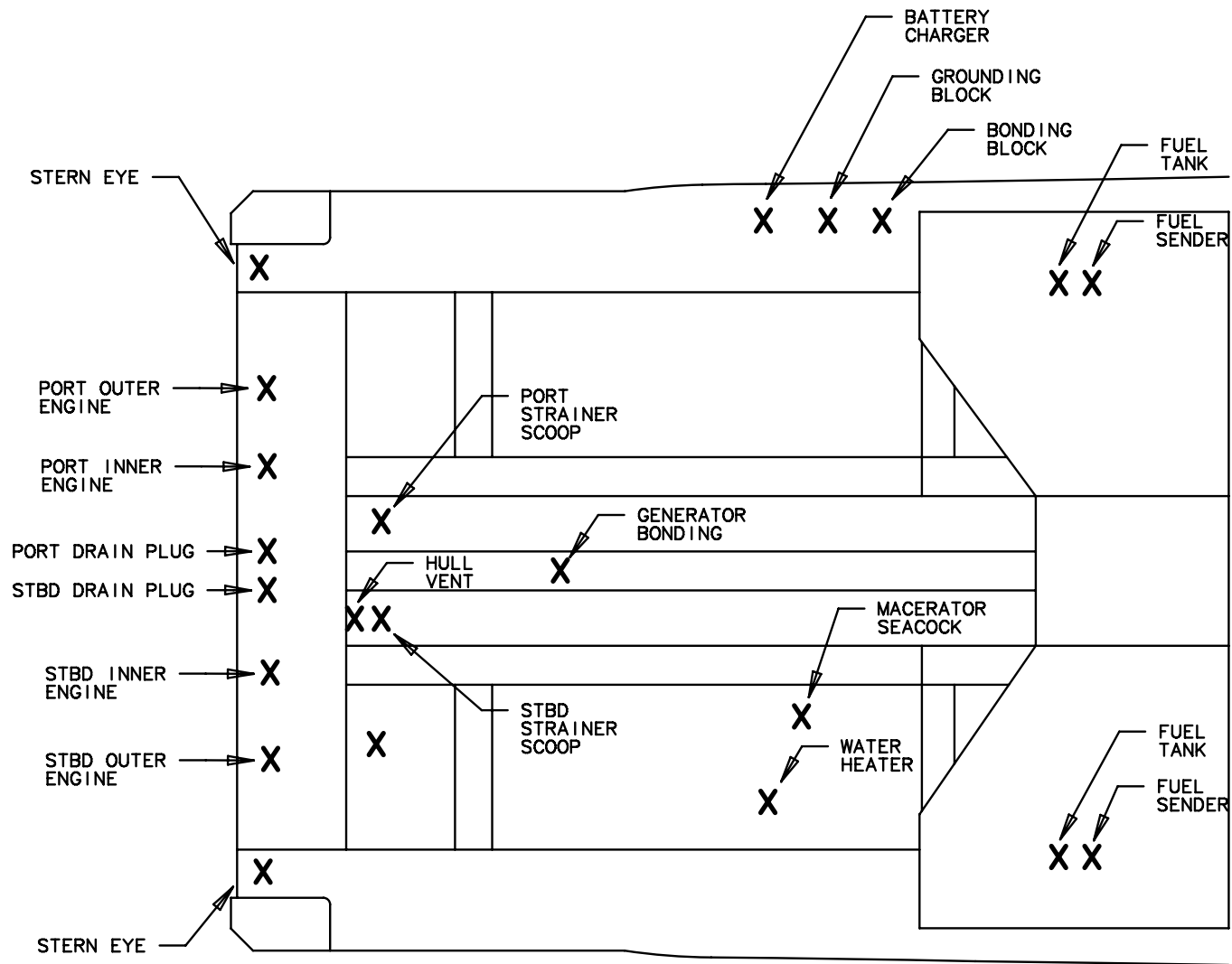
TITLE: BILGE PUMP, CABIN		THUNDERBIRD PRODUCTS
		P.O. BOX 1003
MOD.: 430 SSC	DR BY: KPP	DECATUR IN., 46733
NO.: 23	DATE: 12-9-17	(260) 724-9111



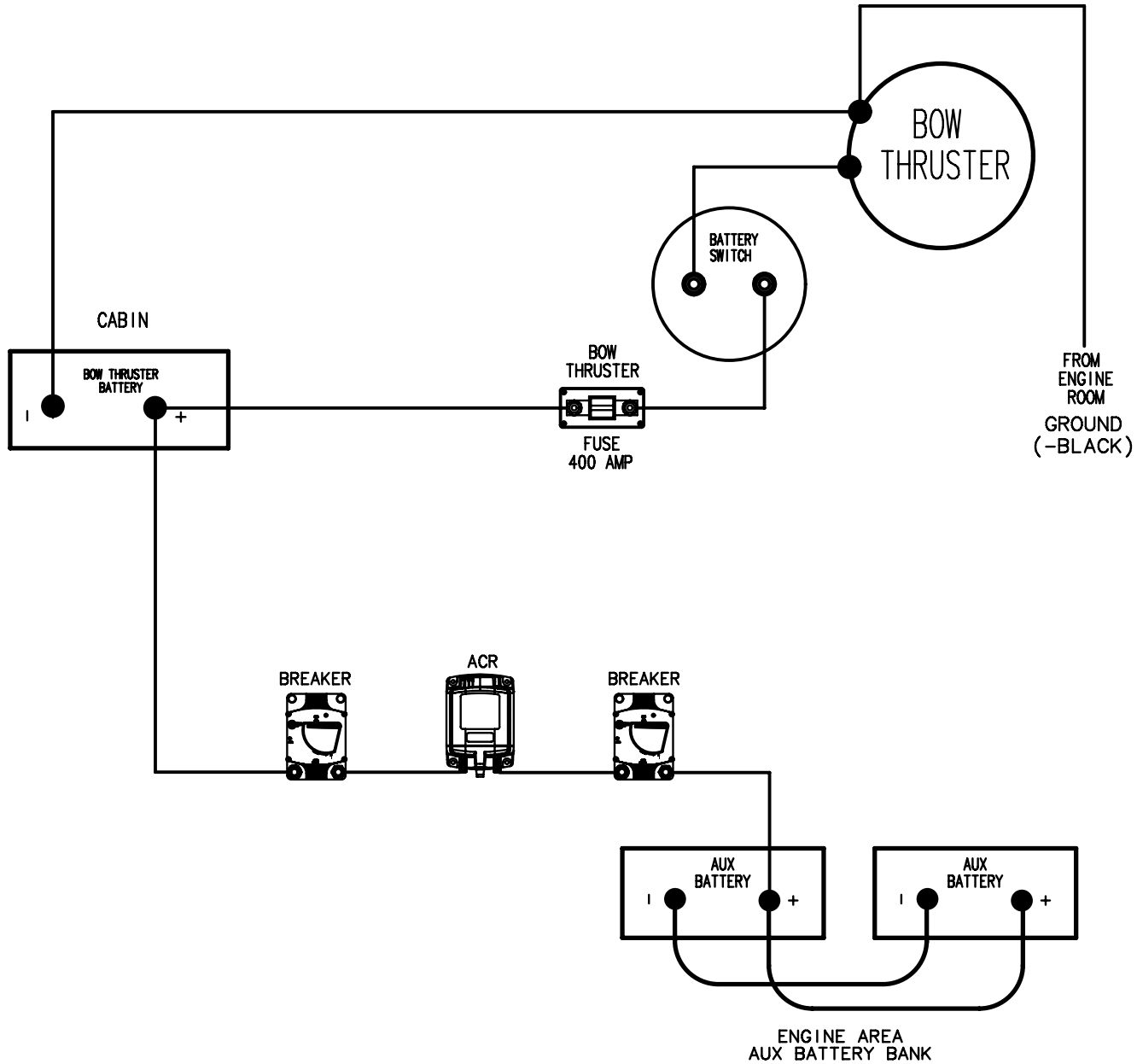
TITLE: BILGE PUMPS, EQUIPMENT ROOM		THUNDERBIRD PRODUCTS
		P.O. BOX 1003
MOD.: 430 SSC	DR BY: KPP	DECATUR IN., 46733
NO.: 24	DATE: 12-9-17	(260) 724-9111



NOTE:  
ALL BONDING WIRES ARE LIGHT GREEN.

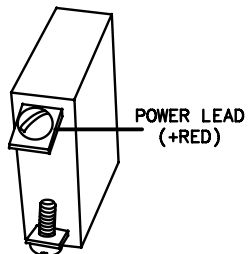


TITLE: BONDING		THUNDERBIRD PRODUCTS
		P.O. BOX 1003
MOD.: 430 SSC	DR BY: KPP	DECATUR IN., 46733
NO.: 25	DATE: 12-9-17	(260) 724-9111

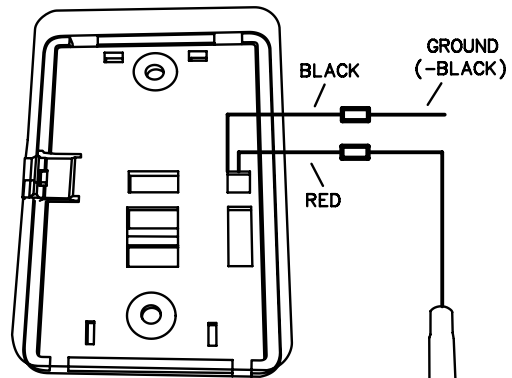


TITLE: BOW THRUSTER		THUNDERBIRD PRODUCTS
		P.O. BOX 1003
MOD.: 430 SSC	DR BY: KPP	DECATUR IN., 46733
NO.: 26	DATE: 12-9-17	(260) 724-9111

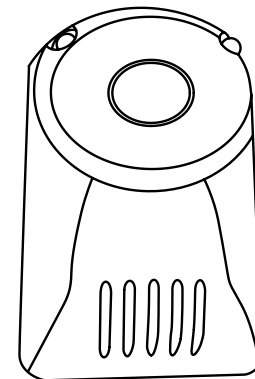
CO DETECTOR BREAKER  
(CABIN 12V BREAKER PANEL)  
(REAR VIEW)



CO DETECTOR  
(REAR VIEW)



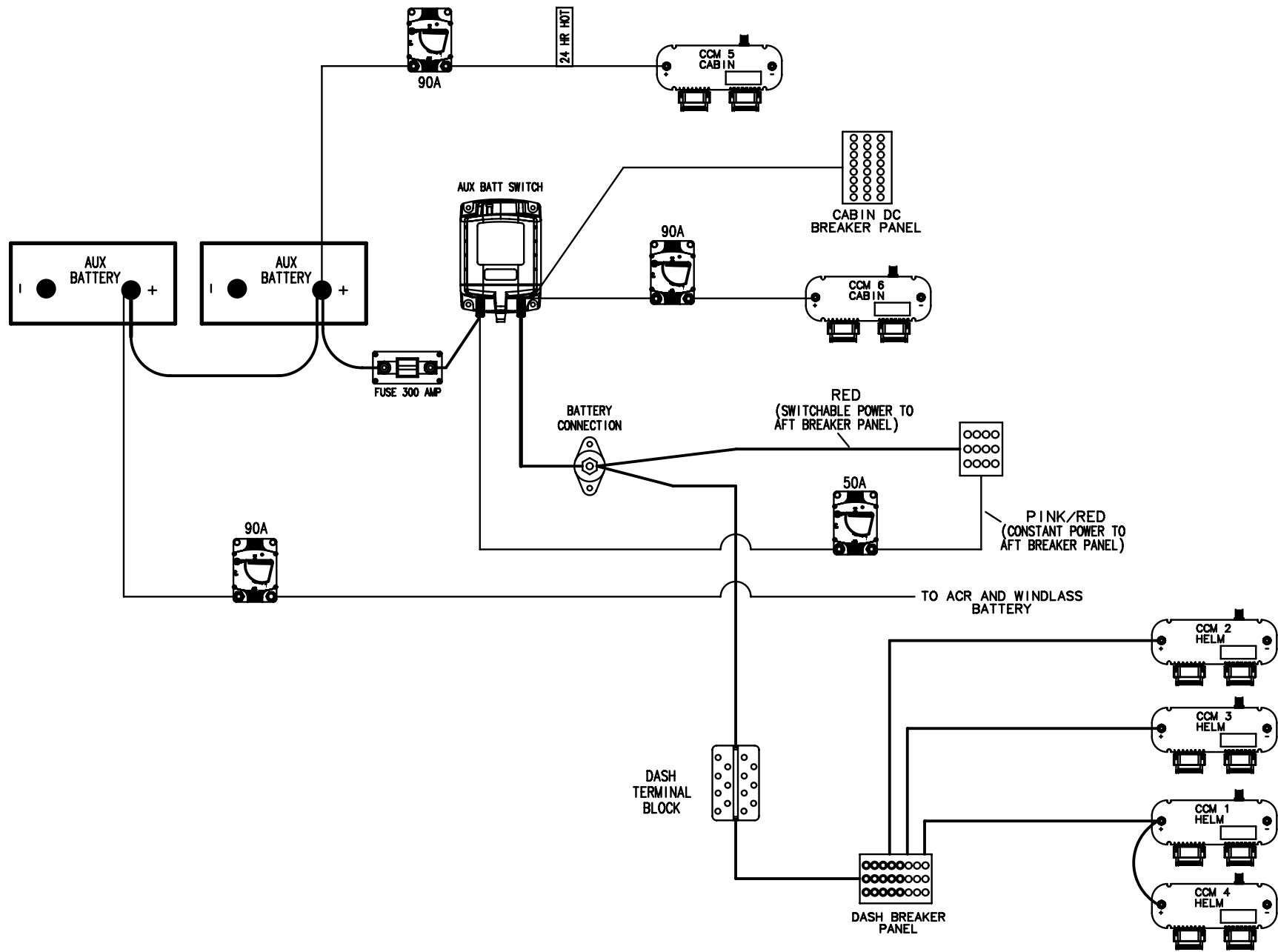
CO DETECTOR  
(FRONT VIEW)



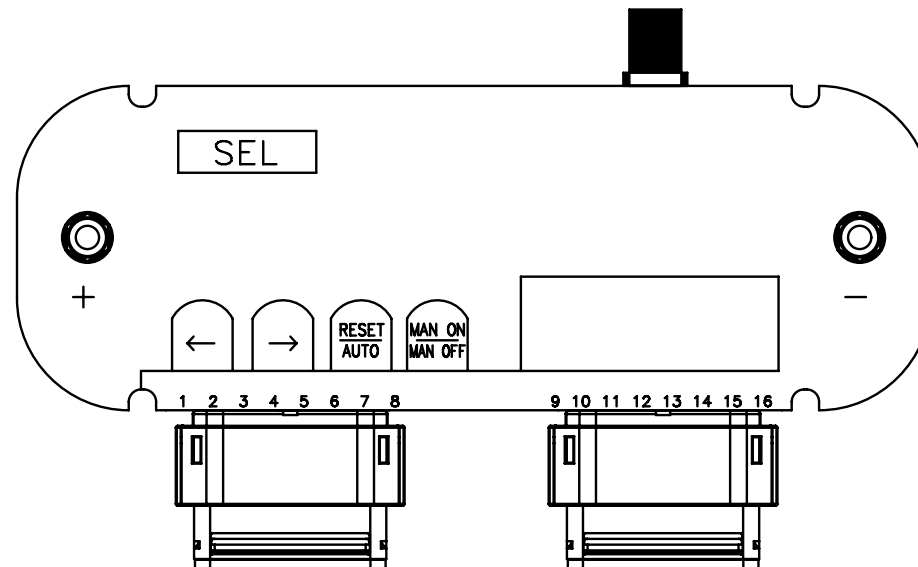
POWER LEAD  
(+ORANGE/BROWN)

1 AMP FUSE

TITLE: CARBON MONOXIDE DETECTOR		THUNDERBIRD PRODUCTS
		P.O. BOX 1003
MOD.: 430 SSC	DR BY: KPP	DECATUR IN., 46733
NO.: 27	DATE: 12-9-17	(260) 724-9111

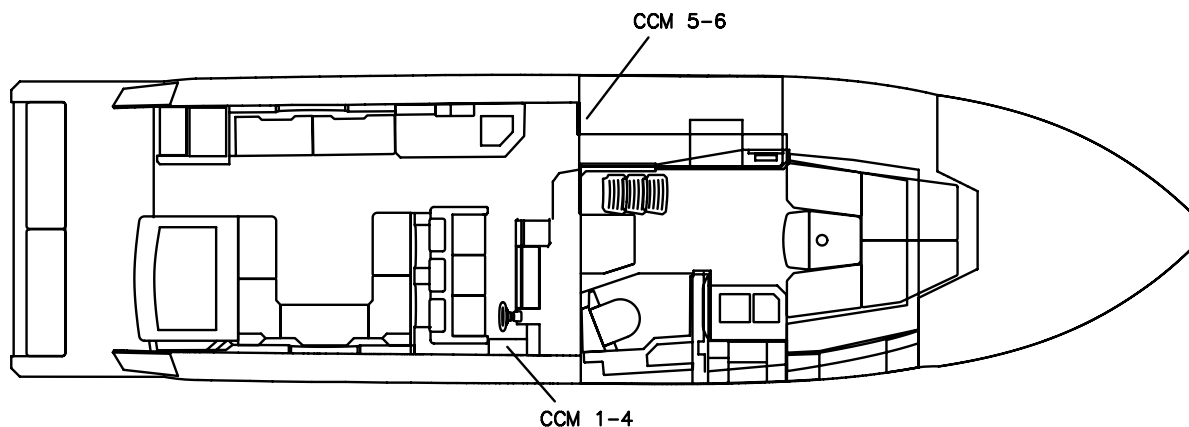


TITLE: DC DISTRIBUTION		THUNDERBIRD PRODUCTS
		P.O. BOX 1003
MOD.: 430 SSC	DR BY: KPP	DECATUR IN., 46733
NO.: 28	DATE: 12-9-17	(260) 724-9111

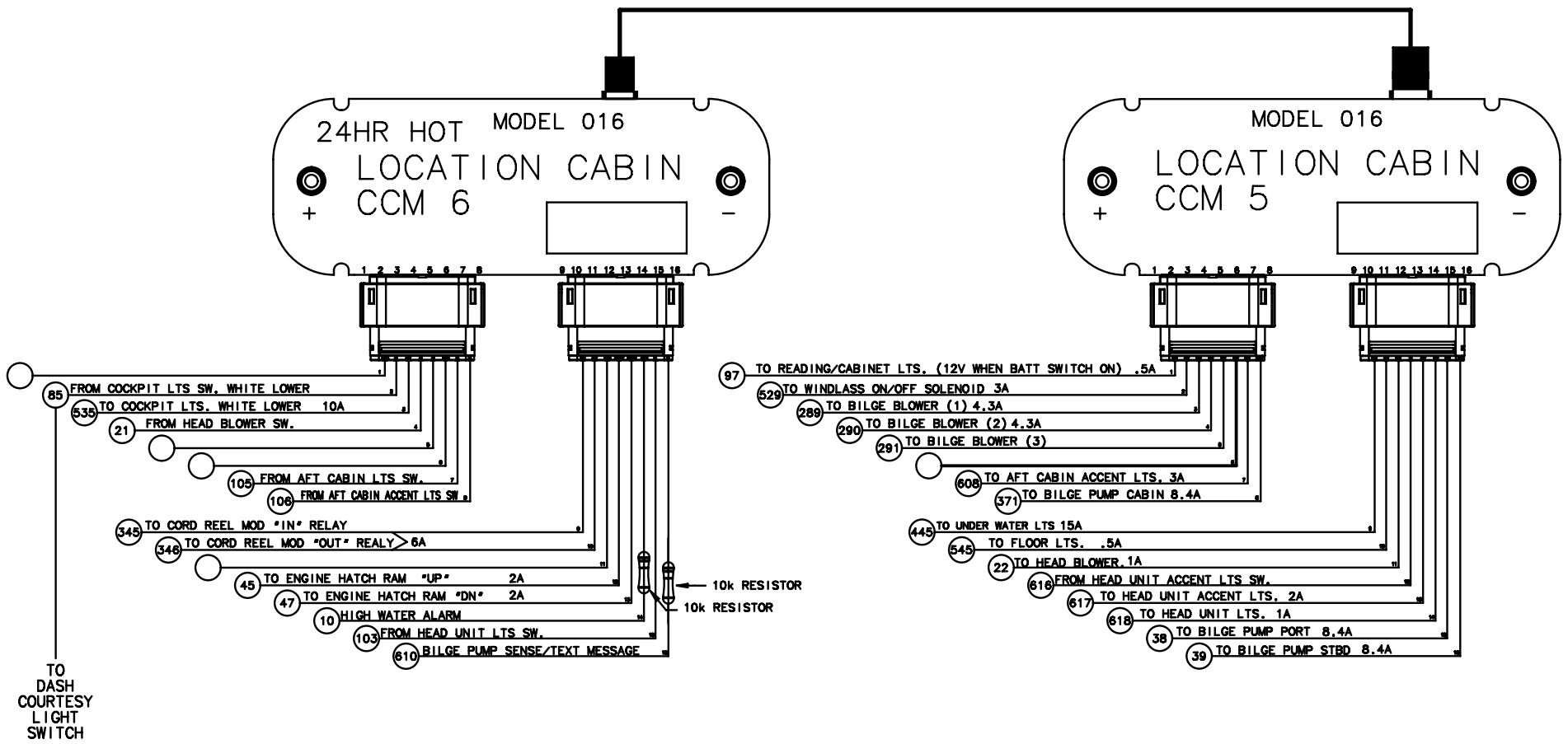


A CHANNEL WITH A TRIPPED BREAKER IS INDICATED BY A RED CONTINUOUS CHANNEL LIGHT. TO RESET THE CHANNEL TO NORMAL OPERATION:

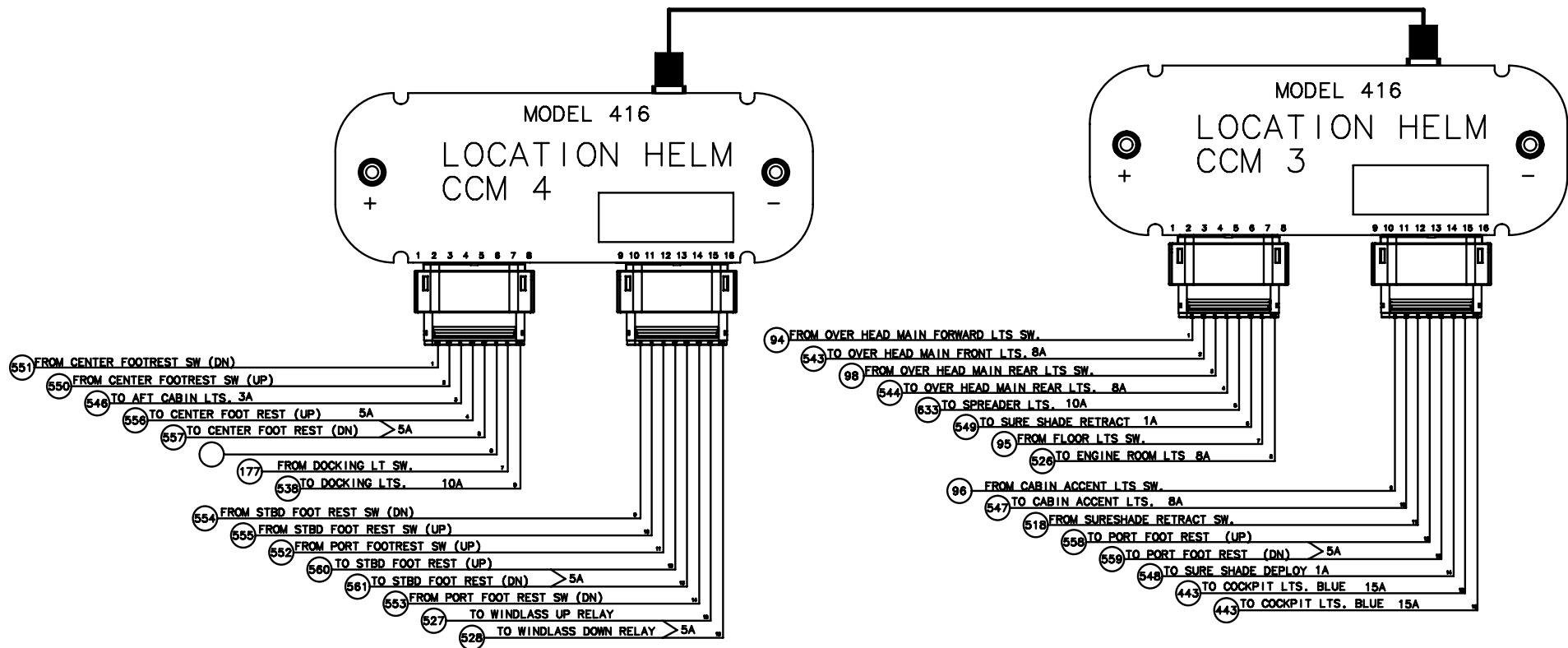
1. PRESS THE RIGHT ARROW BUTTON, "SEL" WILL BE SHOWN ON THE DISPLAY.
2. USE THE RIGHT ARROW BUTTON TO SELECT THE DESIRED CHANNEL.
3. PRESS AND HOLD RESET/AUTO FOR TWO SECONDS. THE BREAKER IS NOW RESET.
4. PRESS THE LEFT ARROW UNTIL THE MESSAGE "SEL" IN THE DISPLAY DISAPPEARS.



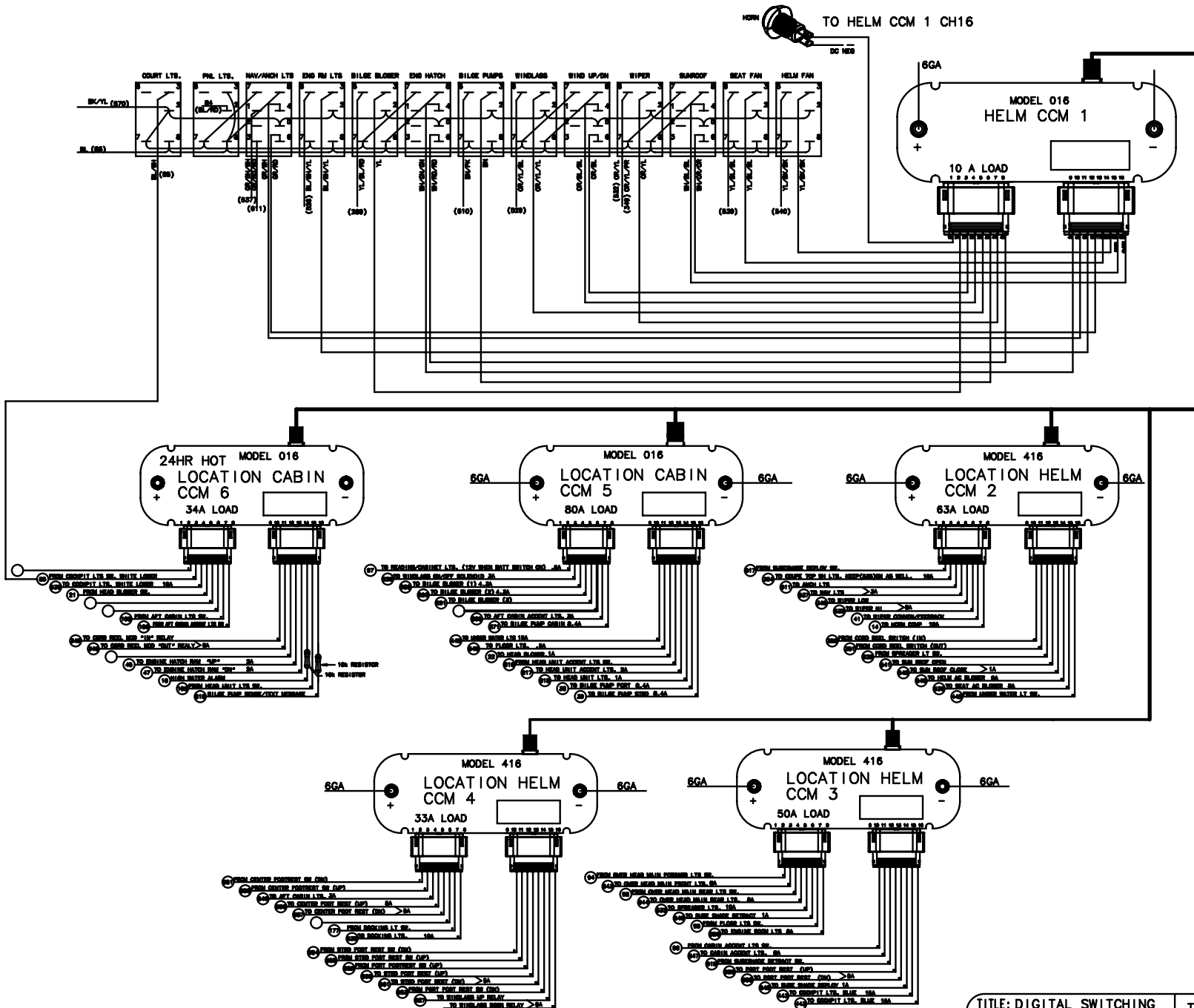
TITLE: DIGITAL SWITCHING BREAKER RESET		THUNDERBIRD PRODUCTS
		P.O. BOX 1003
MOD.: 430 SSC	DR BY: KPP	DECATUR IN., 46733
NO.: 29	DATE: 12-9-17	(260) 724-9111



TITLE: DIGITAL SWITCHING CABIN		THUNDERBIRD PRODUCTS
		P.O. BOX 1003
MOD.: 430 SSC	DR BY: KPP	DECATUR IN., 46733
NO.: 30	DATE: 12-9-17	(260) 724-9111

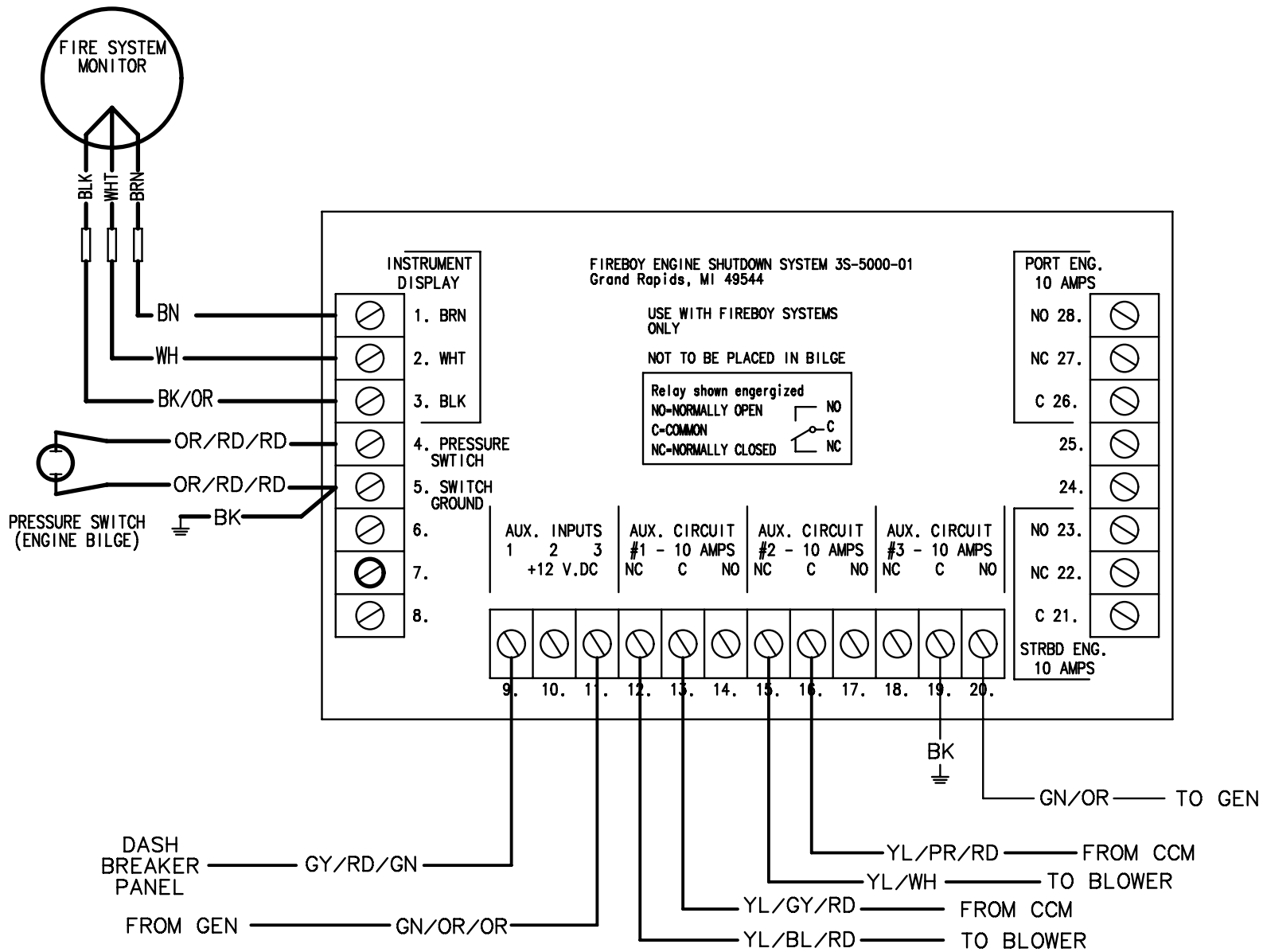


TITLE: DIGITAL SWITCHING HELM		THUNDERBIRD PRODUCTS
		P.O. BOX 1003
MOD.: 430 SSC	DR BY: KPP	DECATUR IN., 46733
NO.: 31	DATE: 12-9-17	(260) 724-9111

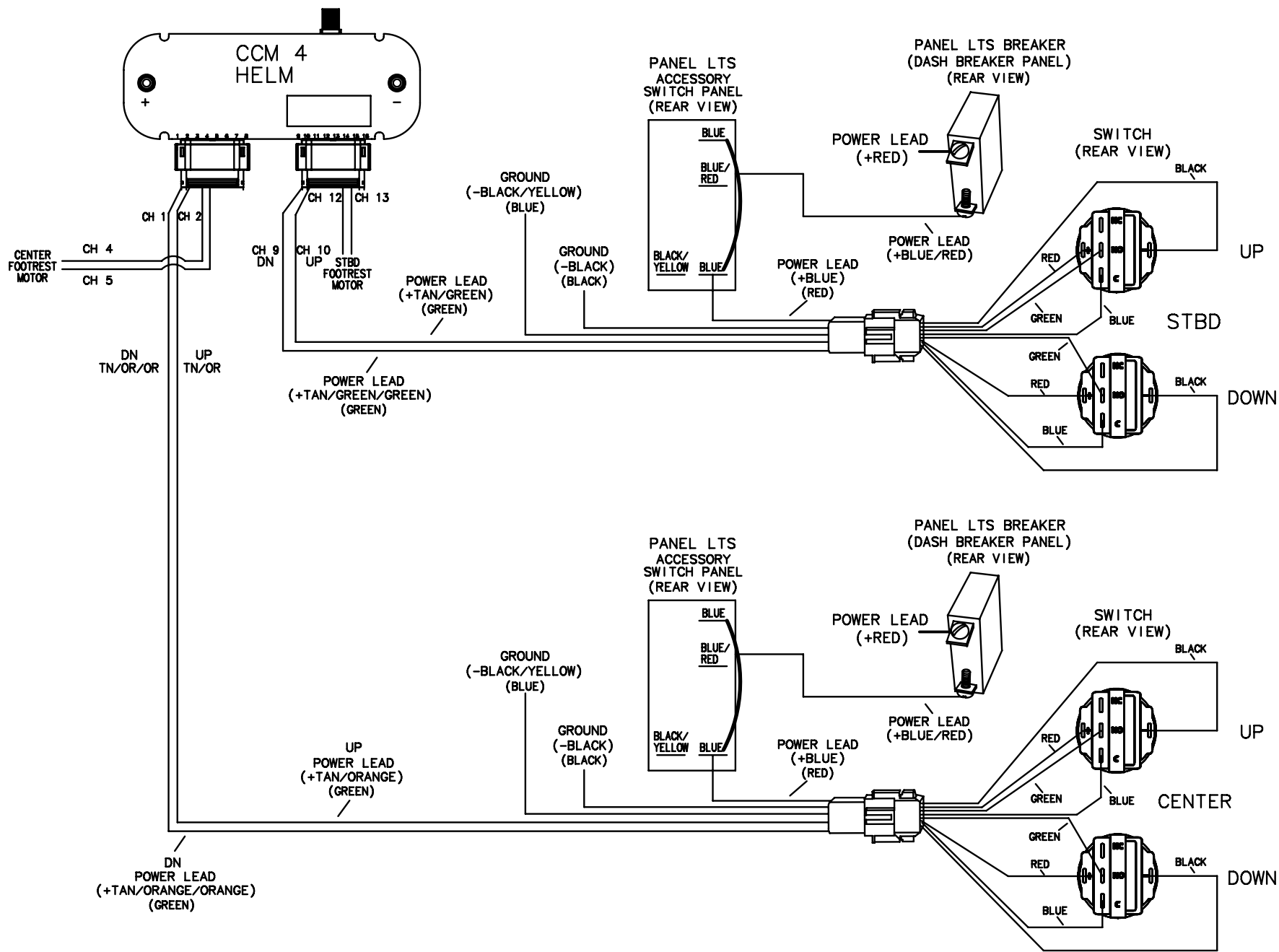


TITLE: DIGITAL SWITCHING OVERVIEW		THUNDERBIRD PRODUCTS	
		P.O. BOX 1003	
MOD.: 430 SSC	DR BY: KPP	DECATUR IN., 46733	
NO.: 32	DATE: 12-9-17	(260) 724-9111	

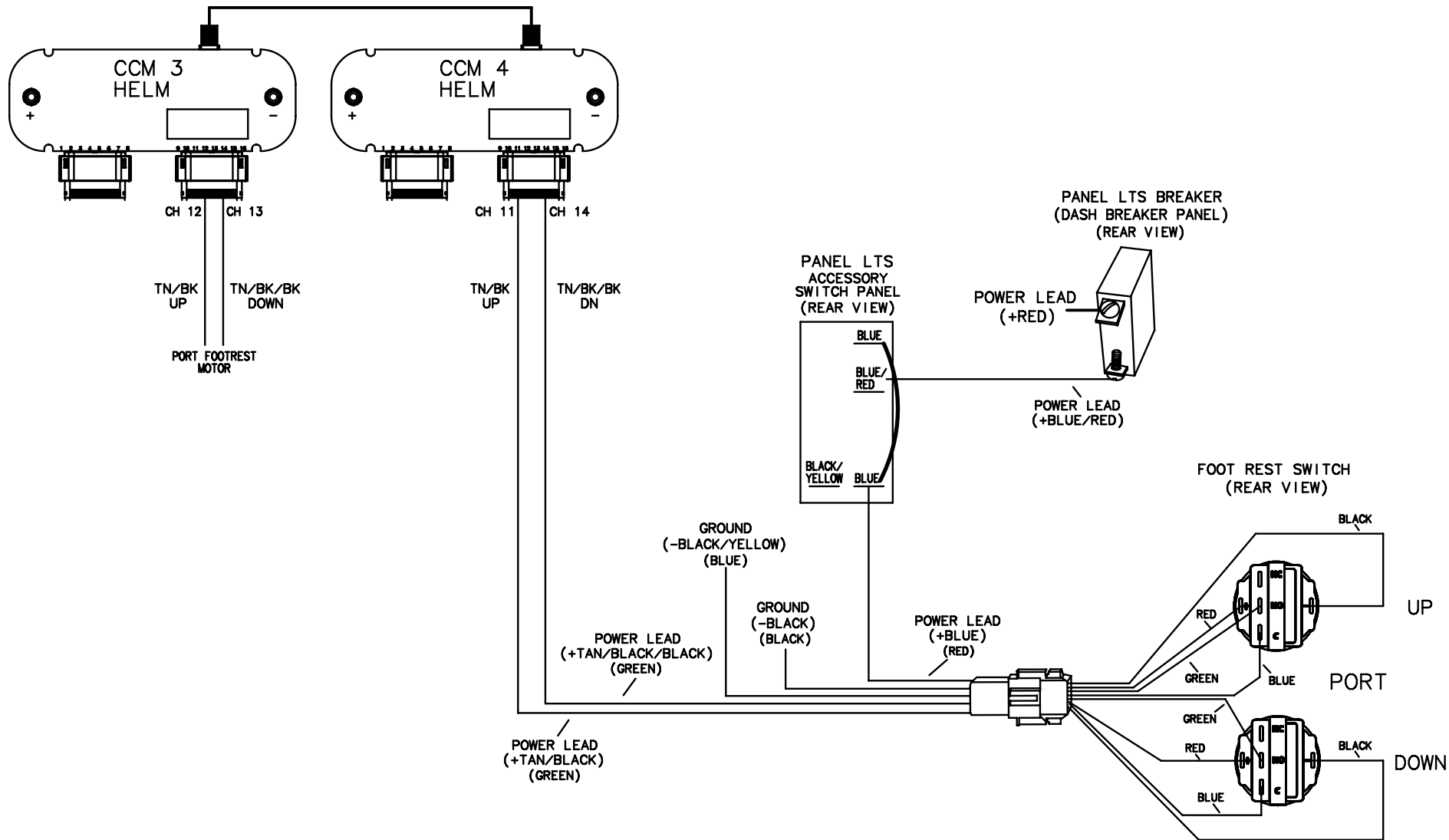




TITLE: FIRE SHUTDOWN BOX		THUNDERBIRD PRODUCTS
		P.O. BOX 1003
MOD.: 430 SSC	DR BY: KPP	DECATUR IN., 46733
NO.: 33	DATE: 12-9-17	(260) 724-9111




TITLE: FOOT REST CENTER, STBD		THUNDERBIRD PRODUCTS	
		P.O. BOX 1003	
MOD.: 430 SSC	DR BY: KPP	DECATUR IN., 46733	
NO.: 34	DATE: 12-9-17	(260) 724-9111	



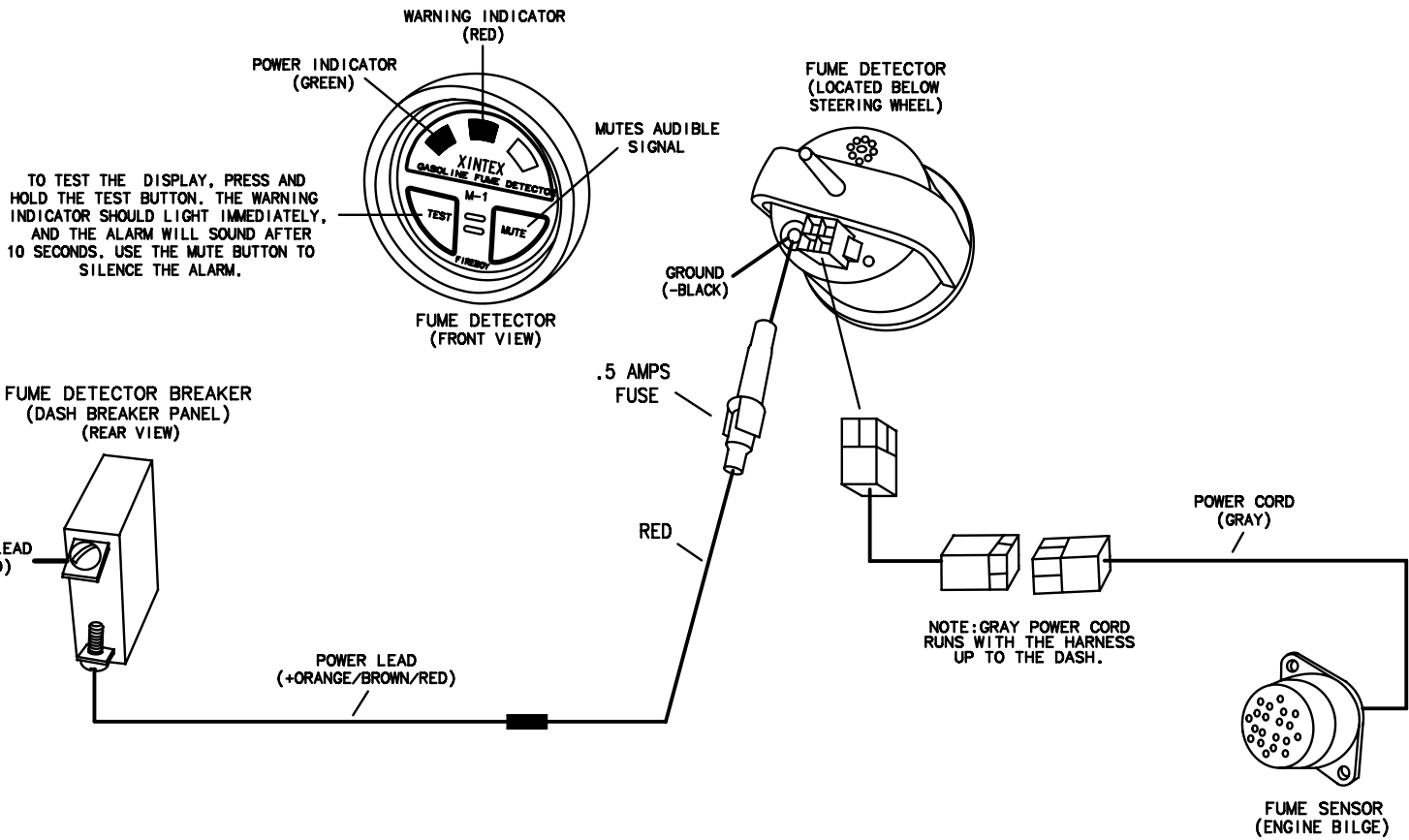
TITLE: FOOT REST PORT		THUNDERBIRD PRODUCTS
		P.O. BOX 1003
MOD.: 430 SSC	DR BY: KPP	DECATUR IN., 46733
NO.: 35	DATE: 12-9-17	(260) 724-9111

# LEGEND

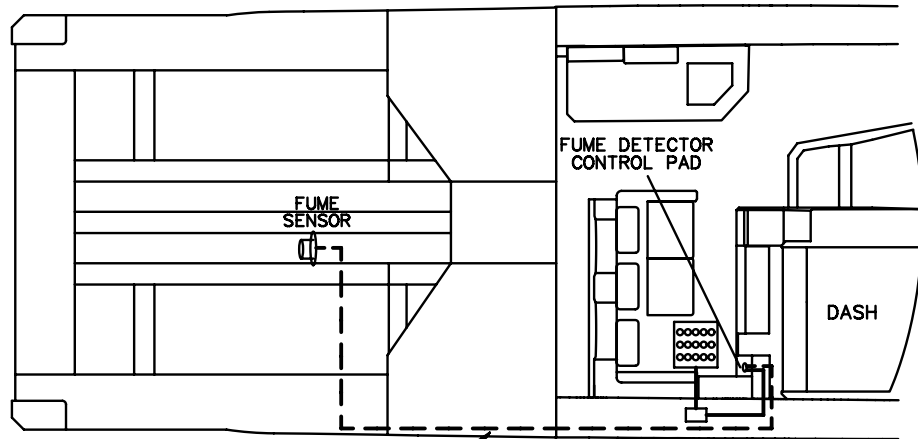
C-BREAKER PANEL 

GRAY FUME SENSOR CABLE 

PLUG INTERCONNECT 



TO TEST THE DISPLAY, PRESS AND HOLD THE TEST BUTTON. THE WARNING INDICATOR SHOULD LIGHT IMMEDIATELY, AND THE ALARM WILL SOUND AFTER 10 SECONDS. USE THE MUTE BUTTON TO SILENCE THE ALARM.



RUNS WITH HULL HARNESS, THEN WITH DECK HARNESS

TITLE: FUME DETECTOR		THUNDERBIRD PRODUCTS	
		P.O. BOX 1003	
MOD.: 430 SSC	DR BY: KPP	DECATUR IN., 46733	
NO.: 36	DATE: 12-9-17	(260) 724-9111	

# LEGEND

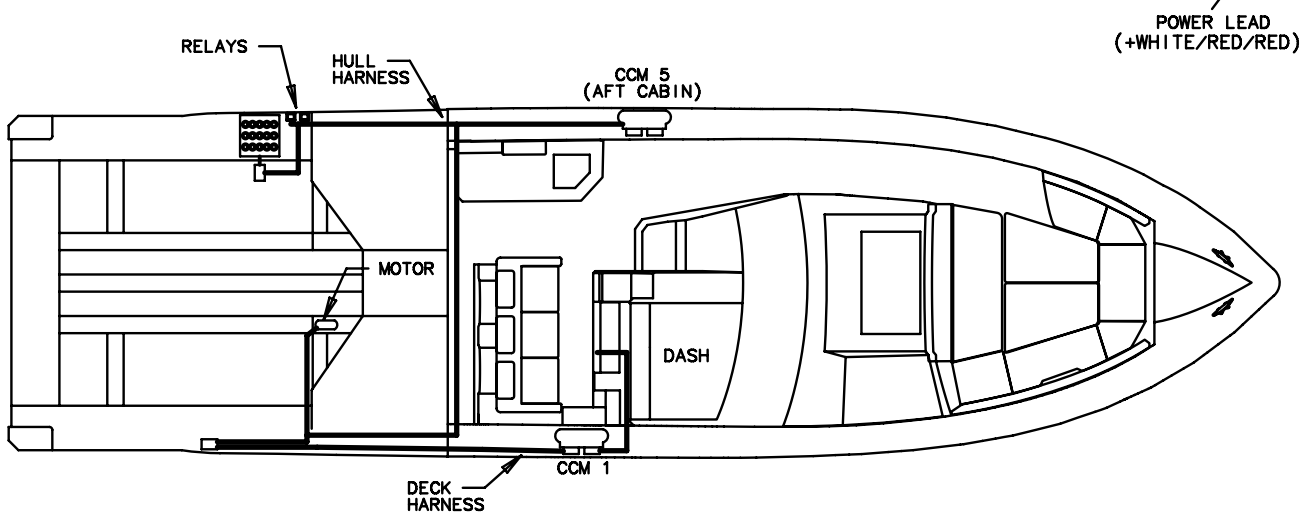
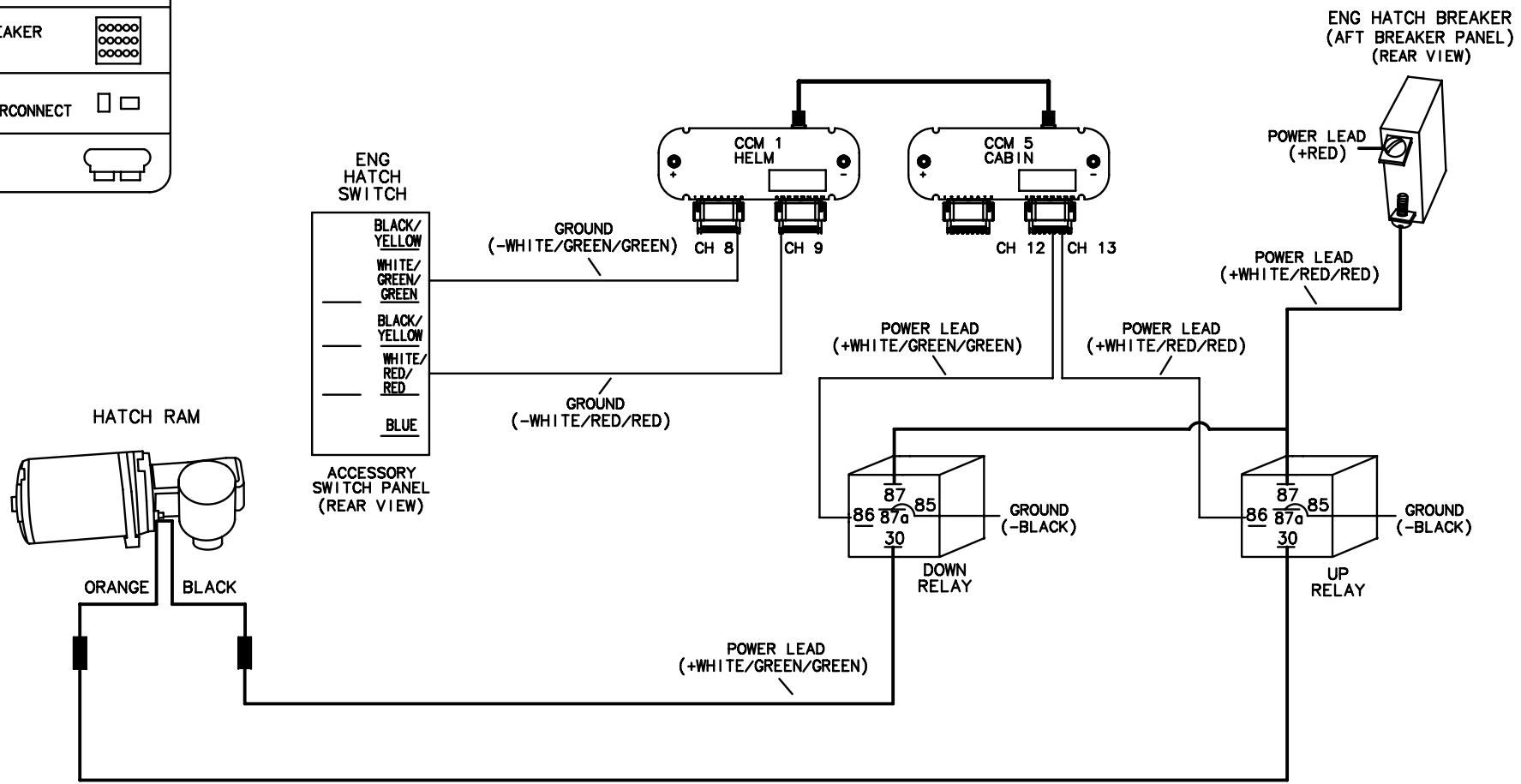
C-BREAKER  
PANEL



PLUG  
INTERCONNECT



CCM

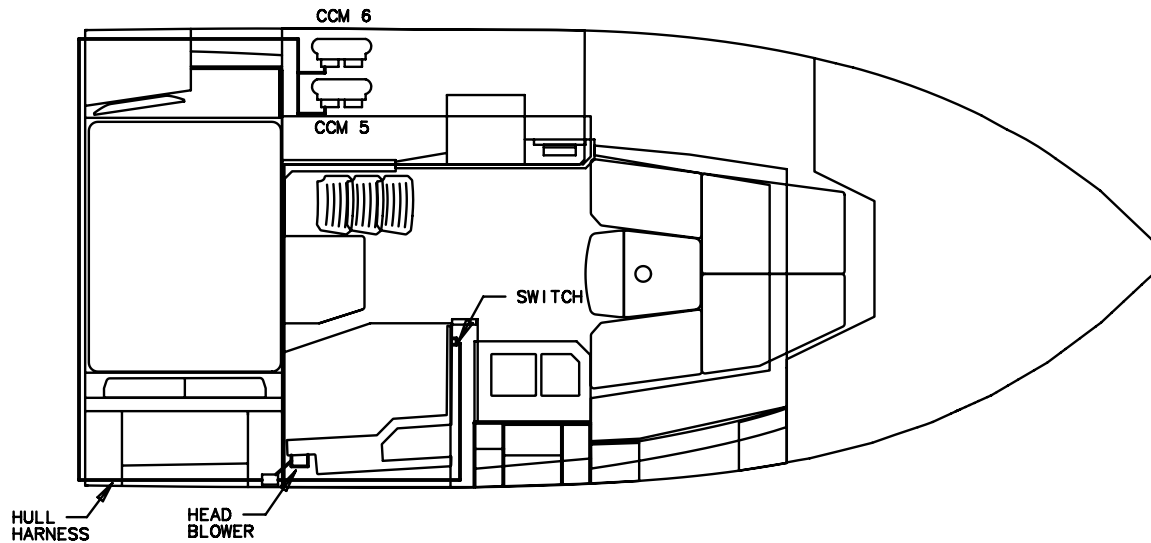
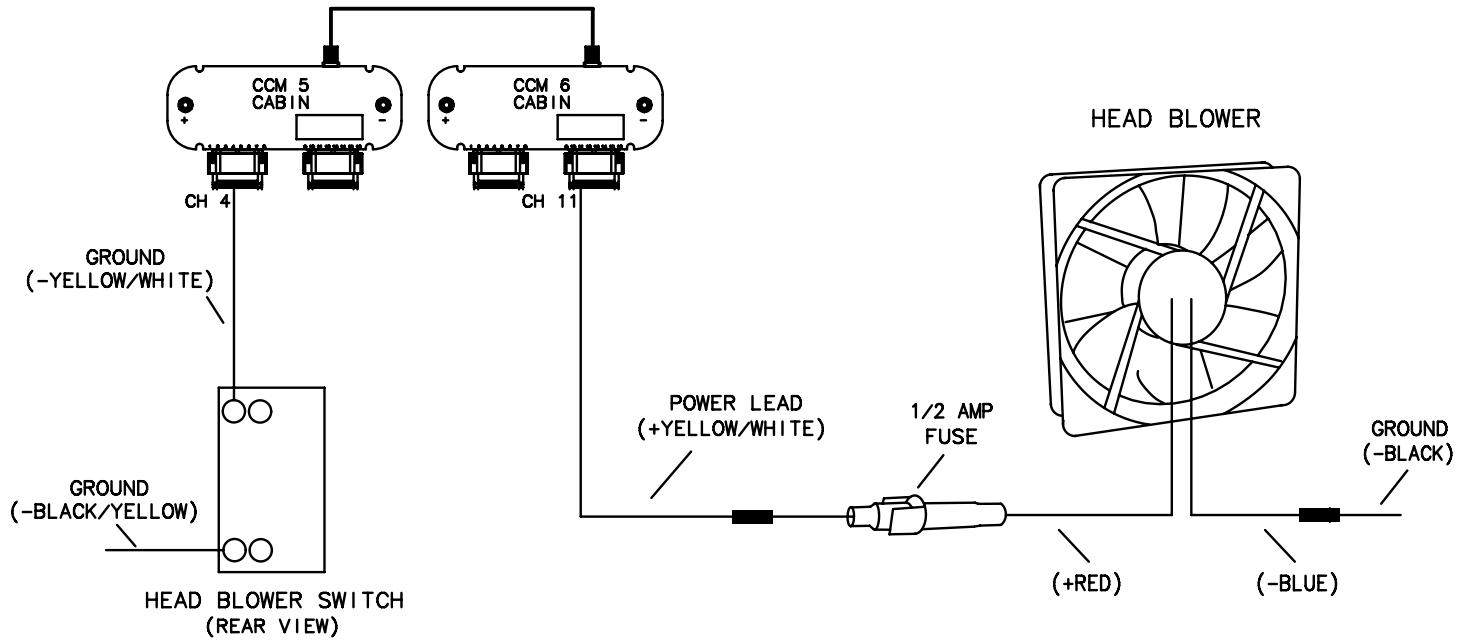


TITLE: EQUIPMENT ROOM HATCH RAM		THUNDERBIRD PRODUCTS
		P.O. BOX 1003
MOD.: 430 SSC	DR BY: KPP	DECATUR IN., 46733
NO.: 37	DATE: 12-9-17	(260) 724-9111

# LEGEND

PLUG INTERCONNECT 

CCM 



TITLE: HEAD BLOWER		THUNDERBIRD PRODUCTS
		P.O. BOX 1003
MOD.: 430 SSC	DR BY: KPP	DECATUR IN., 46733
NO.: 38	DATE: 12-9-17	(260) 724-9111

# LEGEND

C-BREAKER PANEL



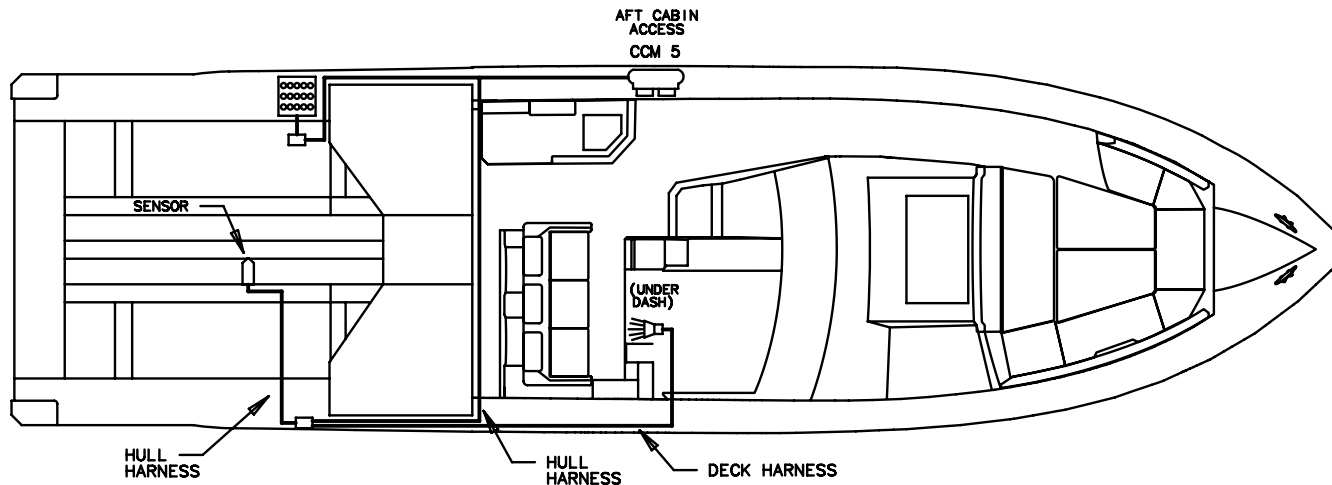
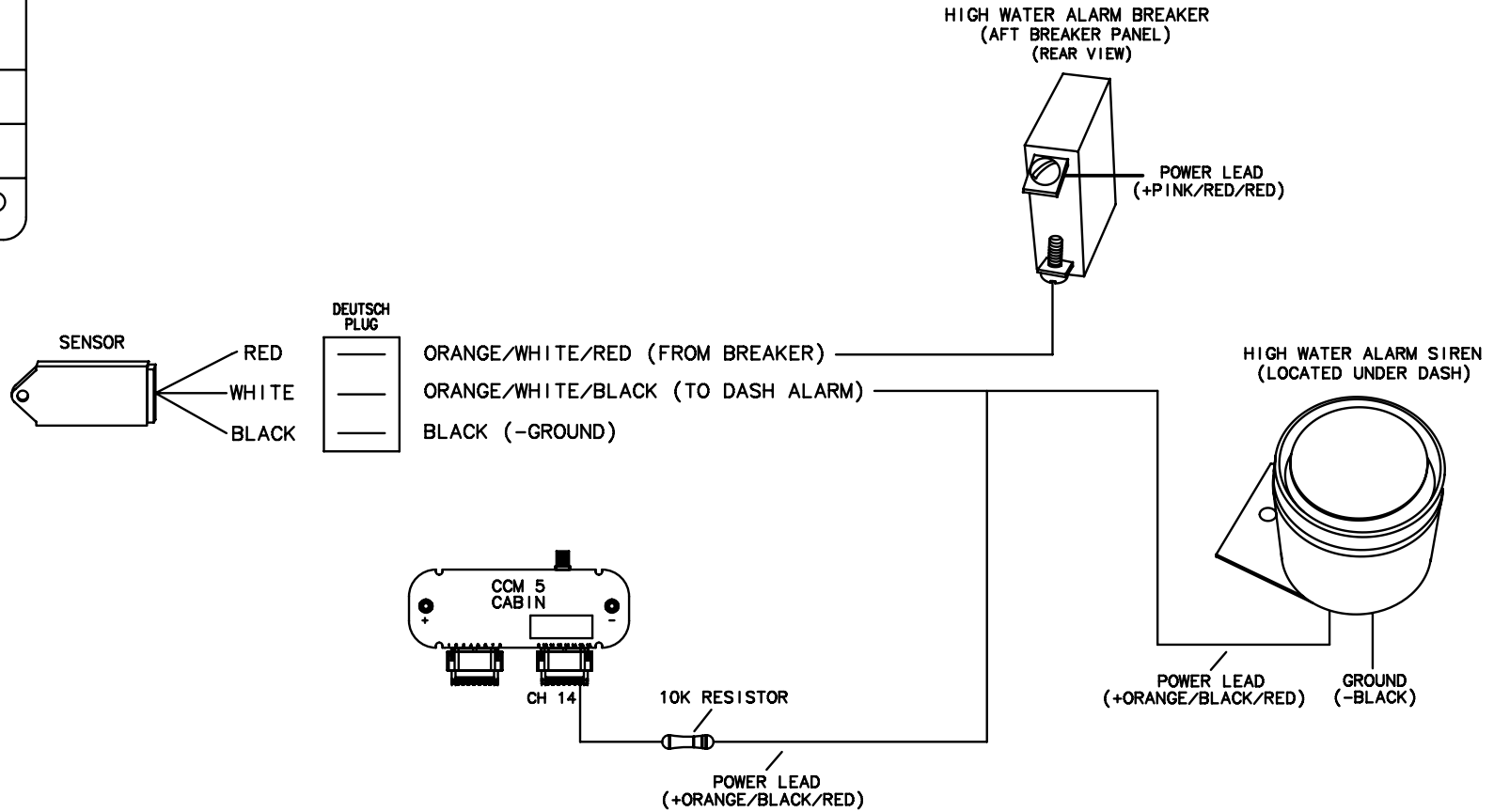
PLUG INTERCONNECT



SIREN



CCM




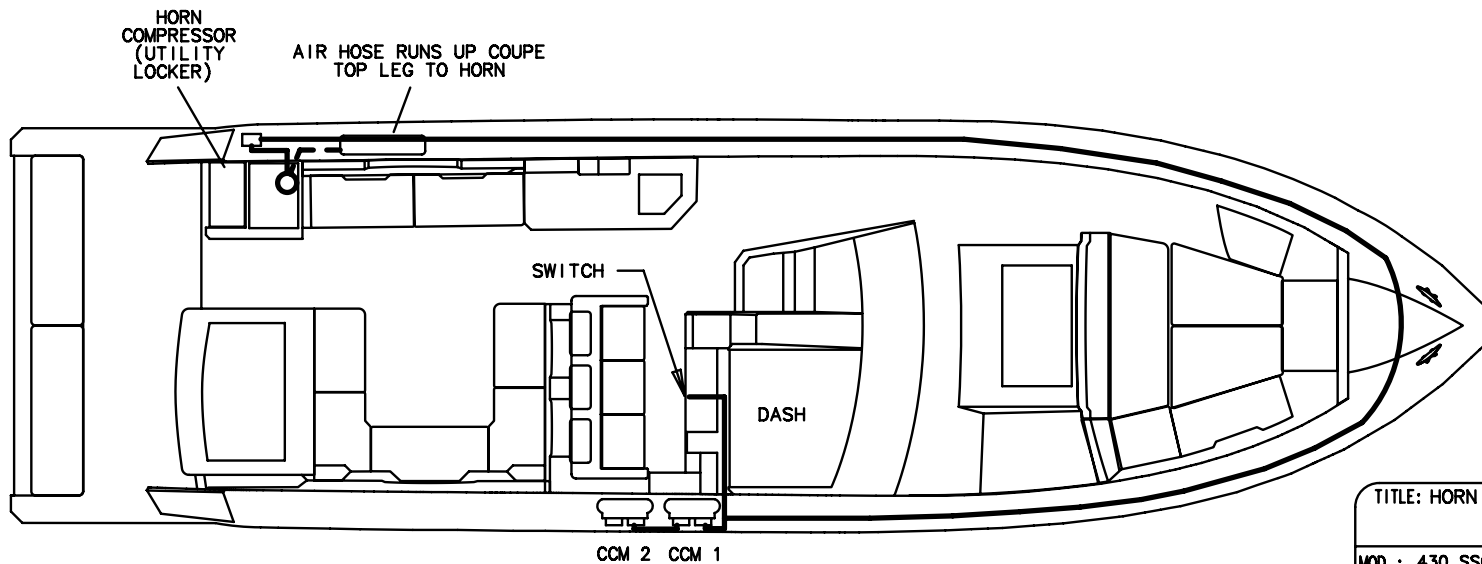
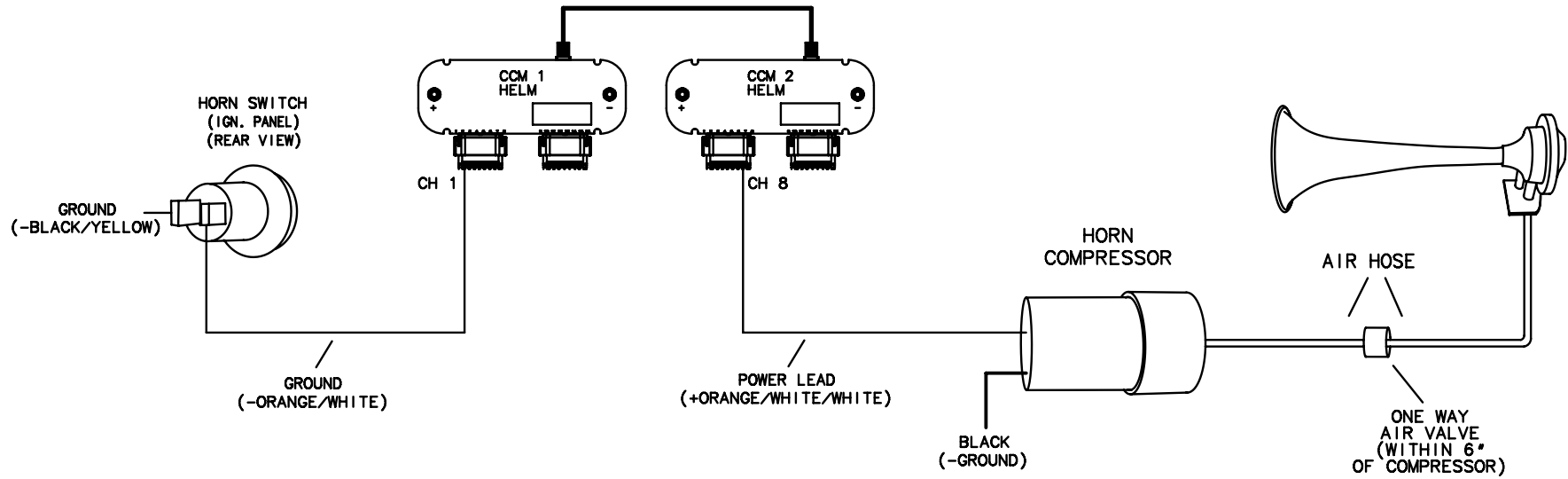
TITLE: HIGH WATER ALARM		THUNDERBIRD PRODUCTS	
		P.O. BOX 1003	
MOD.: 430 SSC	DR BY: KPP	DECATUR IN., 46733	
NO.: 39	DATE: 12-9-17	(260) 724-9111	

# LEGEND

AIR HOSE 

PLUG INTERCONNECT 

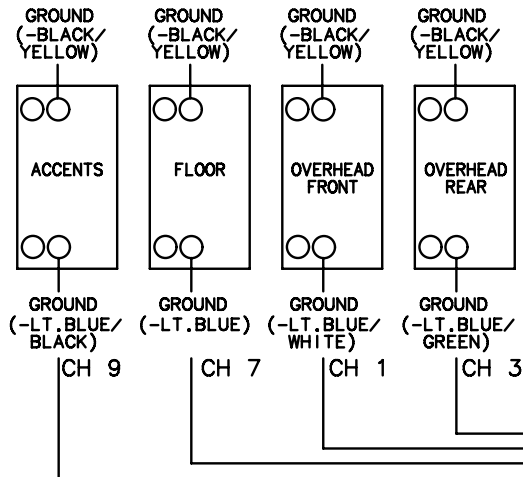
CCM 



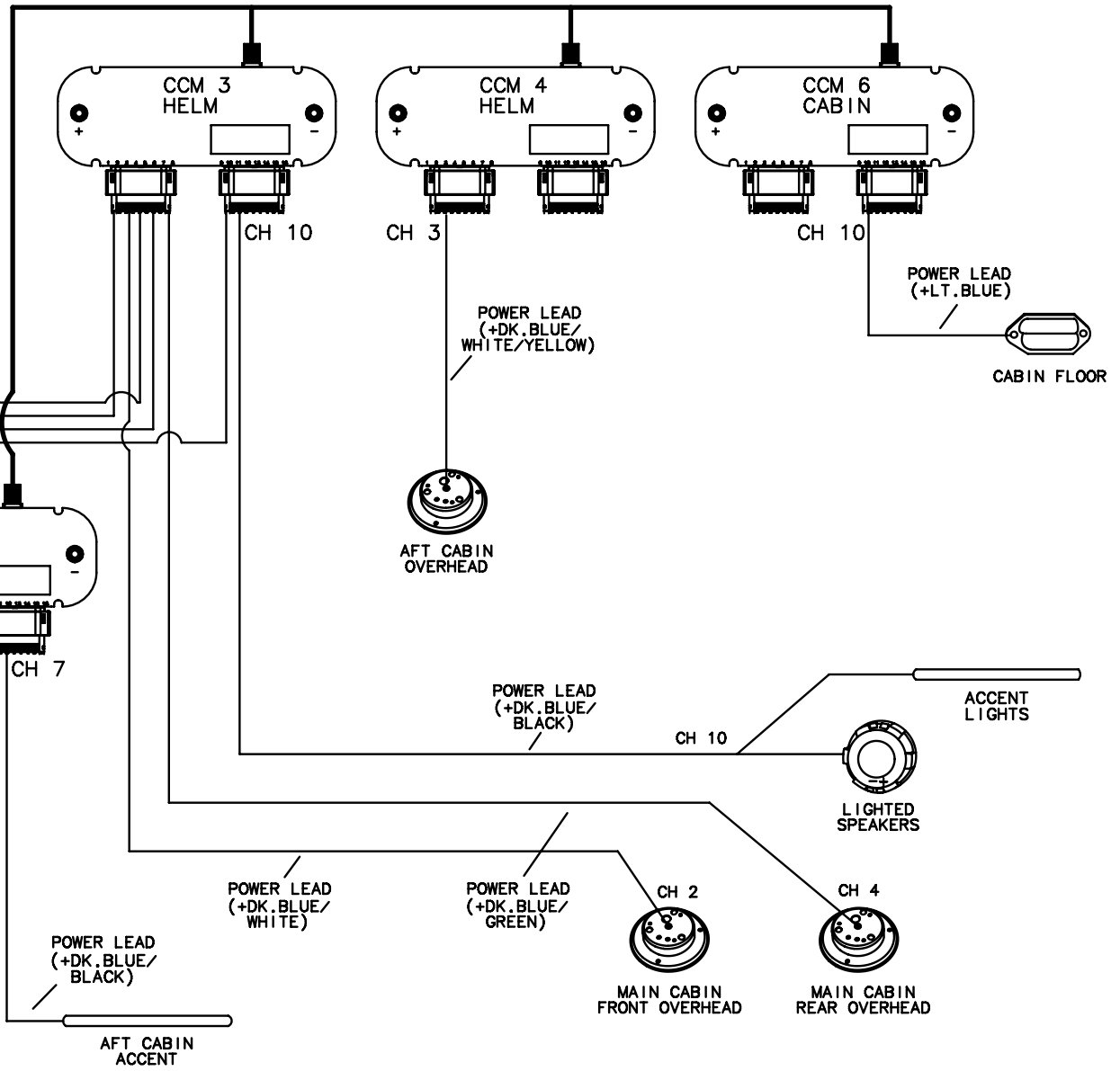
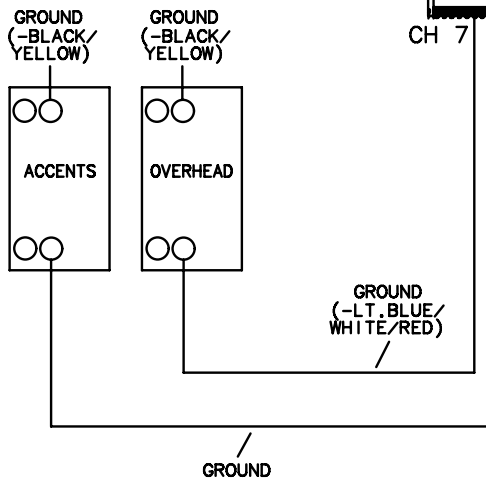
TITLE: HORN		THUNDERBIRD PRODUCTS	
		P.O. BOX 1003	
MOD.: 430 SSC	DR BY: KPP	DECATUR IN., 46733	
NO.: 40	DATE: 12-9-16	(260) 724-9111	



MAIN CABIN  
LIGHT SWITCHES  
(REAR VIEW)

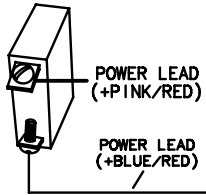


AFT CABIN  
LIGHT SWITCHES  
(REAR VIEW)



TITLE: CABIN LIGHTS		THUNDERBIRD PRODUCTS
		P.O. BOX 1003
MOD.: 430 SSC	DR BY: KPP	DECATUR IN., 46733
NO.: 41	DATE: 12-9-17	(260) 724-9111

PANEL LTS BREAKER  
DASH BREAKER PANEL  
(REAR VIEW)



REMOTE LIGHTS  
BOX

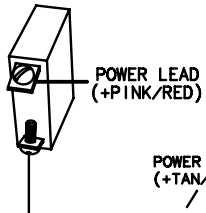


(LOCATED BEHIND MAIN  
DASH PANEL)

12 PIN DEUTSCH CONN.

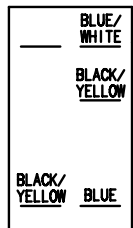
GROUND  
(-BLACK)

REMOTE LTS BREAKER  
AFT BREAKER PANEL  
(REAR VIEW)



POWER LEAD  
(+TAN/RED)

COURTESY LIGHTS  
SWITCH  
(DASH PANEL)  
(REAR VIEW)



BK/WH

BK

RD

OR

YL

PR

BN

WH

1

2

3

4

5

6

7

8

9

10

11

12

TN/RD

BL/WH

OR/BL

OR/BL/BL

BL/GR/GR

WH/YL

WH

POWER LEAD  
(+BLUE/BLACK/BLACK)

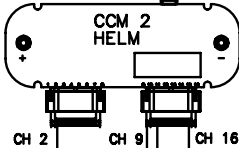
GROUND  
(-WHITE)  
CORD REEL "IN"

GROUND  
(-WHITE/YELLOW)  
CORD REEL "OUT"

GROUND  
(-BLUE/GREEN/GREEN)  
UNDERWATER LIGHTS

GROUND  
(-ORANGE/BLUE/BLUE)  
WINDLASS DOWN

GROUND  
(-ORANGE/BLUE)  
WINDLASS UP



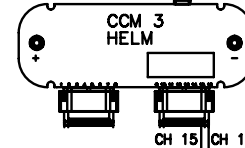
CH 2

CH 9

CH 10

CH 16

TO WHITE  
COUPE TOP  
LIGHTS

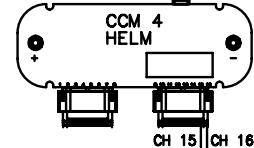


CH 15

CH 16

POWER LEAD  
(+BLUE/YELLOW)

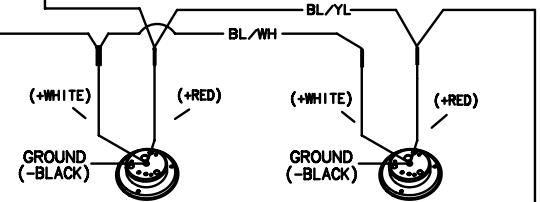
POWER LEAD  
(+BLUE/YELLOW)



CH 15

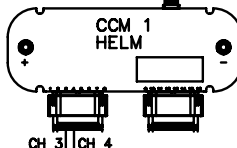
CH 16

TO WINDLASS  
CONTROL BOX



LOWER COCKPIT AND  
SWIM PLATFORM LIGHTS

ALL ACCENT  
COCKPIT LIGHTS

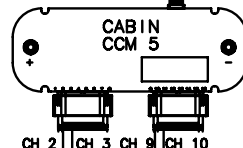


CH 3

CH 4

GROUND  
(-ORANGE/BLUE)  
WINDLASS UP

GROUND  
(-ORANGE/BLUE/BLUE)  
WINDLASS DOWN



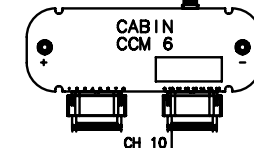
CH 2

CH 3

CH 9

CH 10

TO SHORECORD  
REEL CONTROL  
BOX



CH 10



UNDERWATER  
LIGHTS

POWER LEAD  
(+BLUE/WHITE)

POWER LEAD  
(+BLUE/WHITE)

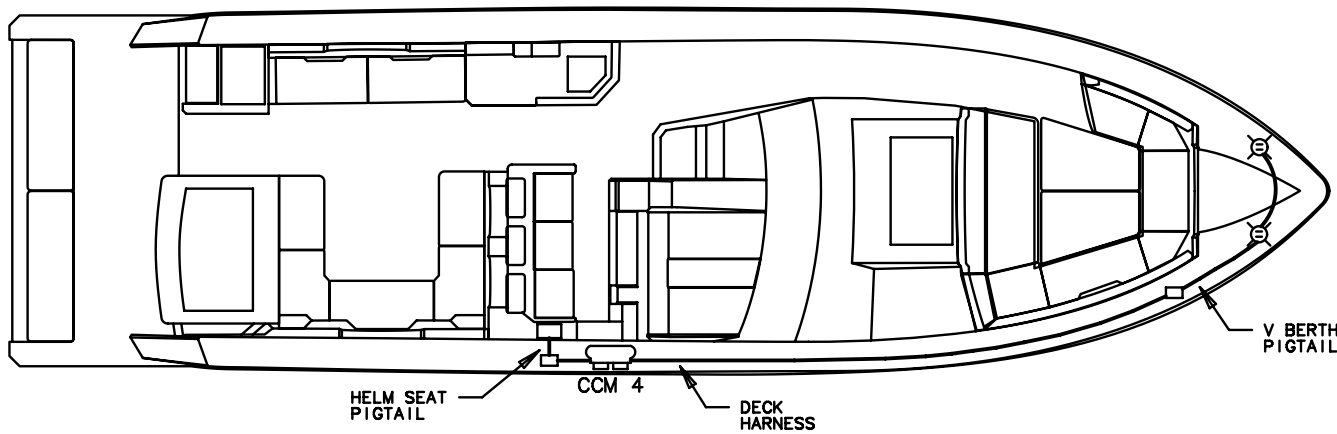
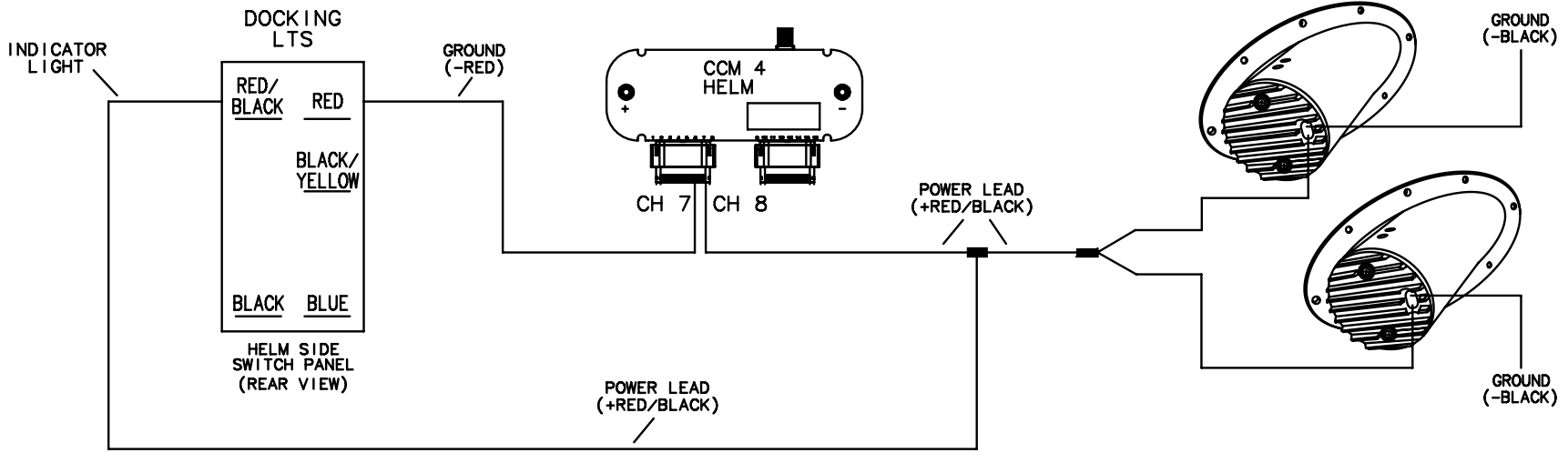
TITLE: COURTESY LIGHTS/ REMOTE BOX		THUNDERBIRD PRODUCTS
		P.O. BOX 1003
MOD.: 430 SSC	DR BY: KPP	DECATUR IN., 46733
NO.: 42	DATE:12-9-17	(260) 724-9111

# LEGEND

DOCKING LIGHT 

PLUG INTERCONNECT 

CCM 



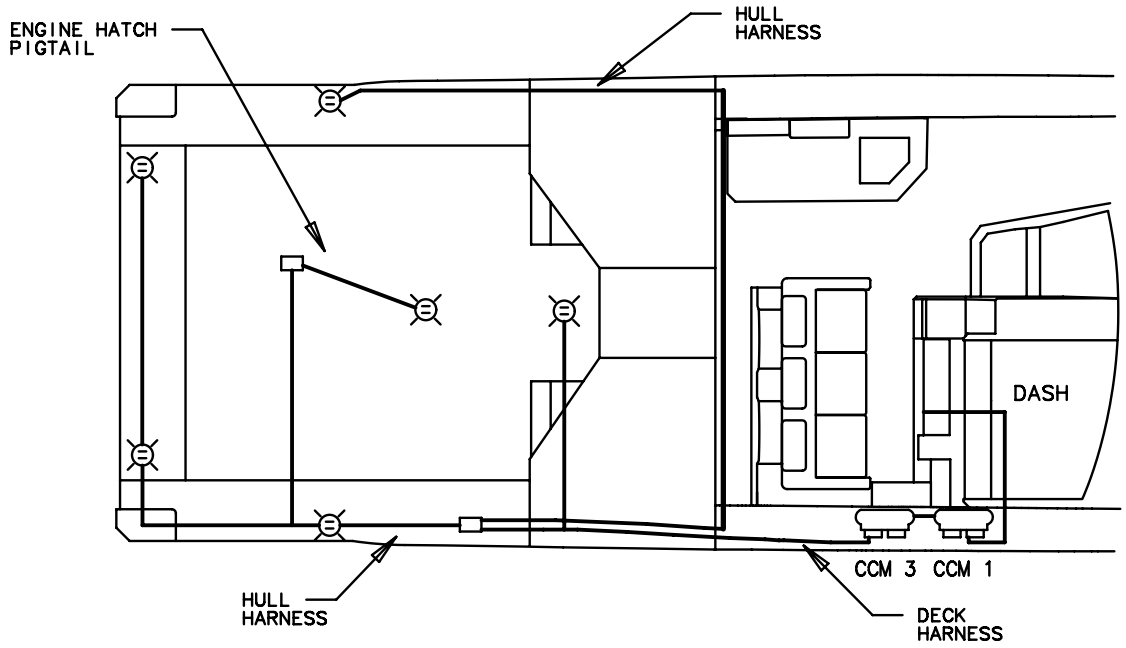
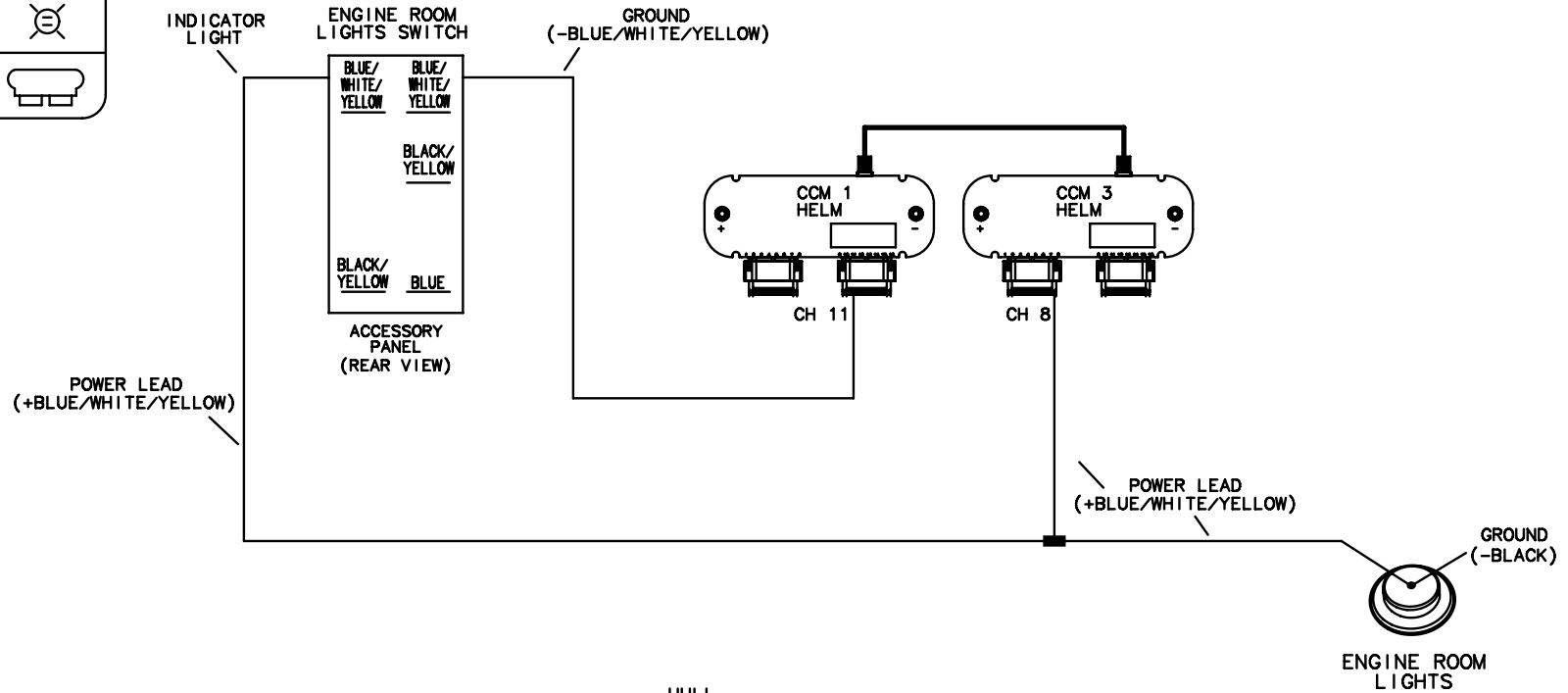
TITLE: DOCKING LIGHTS		THUNDERBIRD PRODUCTS
		P.O. BOX 1003
MOD.: 430 SSC	DR BY: KPP	DECATUR IN., 46733
NO.: 43	DATE: 12-9-17	(260) 724-9111

# LEGEND

PLUG INTERCONNECT 

LIGHT 

CCM 



TITLE: EQUIPMENT ROOM, LIGHTS		THUNDERBIRD PRODUCTS
		P.O. BOX 1003
MOD.: 430 SSC	DR BY: KPP	DECATUR IN., 46733
NO.: 44	DATE: 12-9-17	(260) 724-9111

# LEGEND

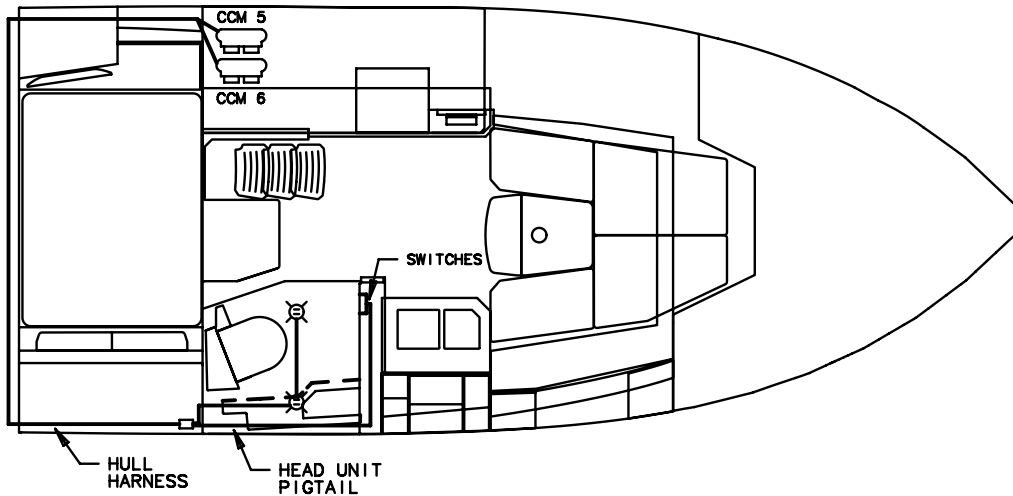
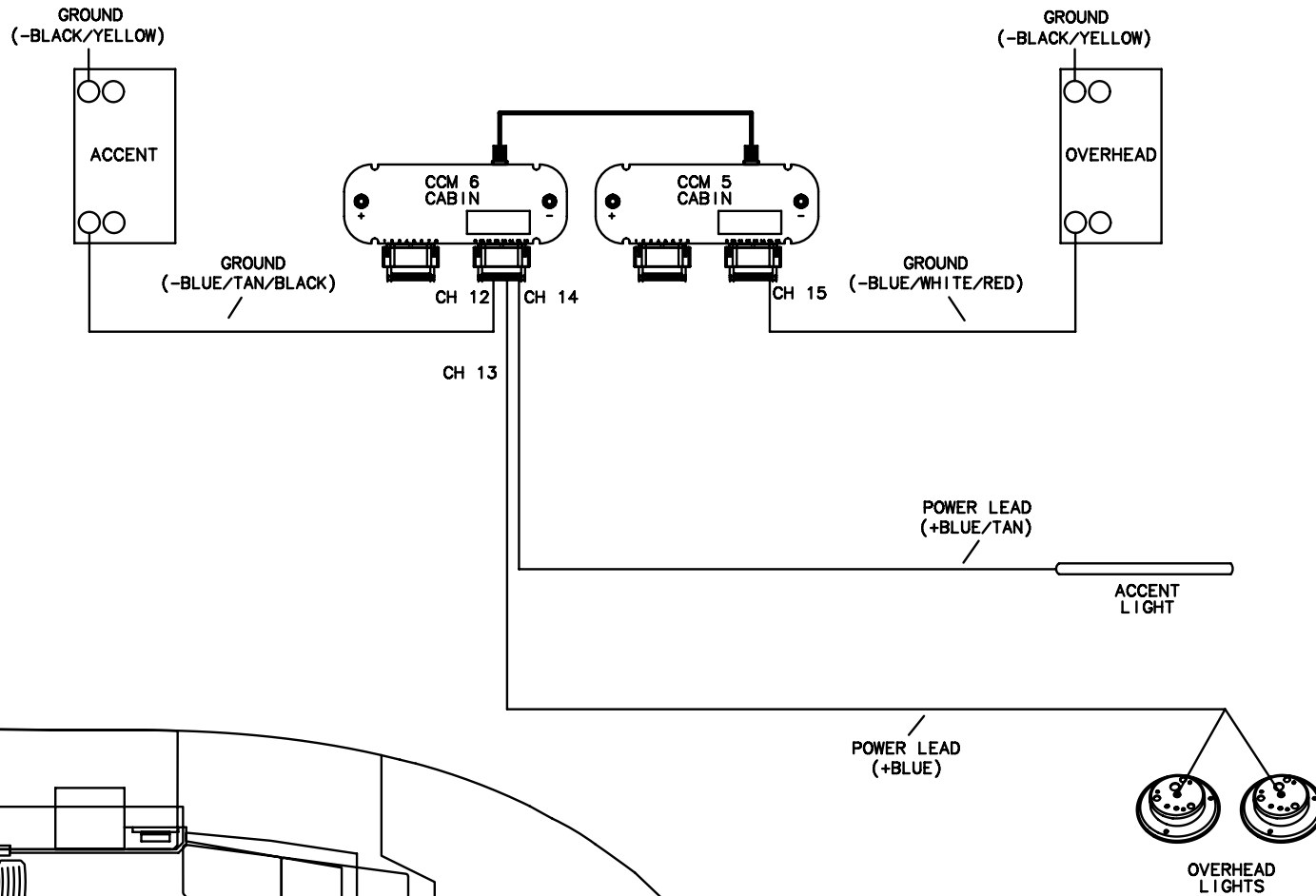
LIGHT

ACCENT LIGHT

PLUG INTERCONNECT

CCM

## HEAD UNIT SWITCHES (REAR VIEW)

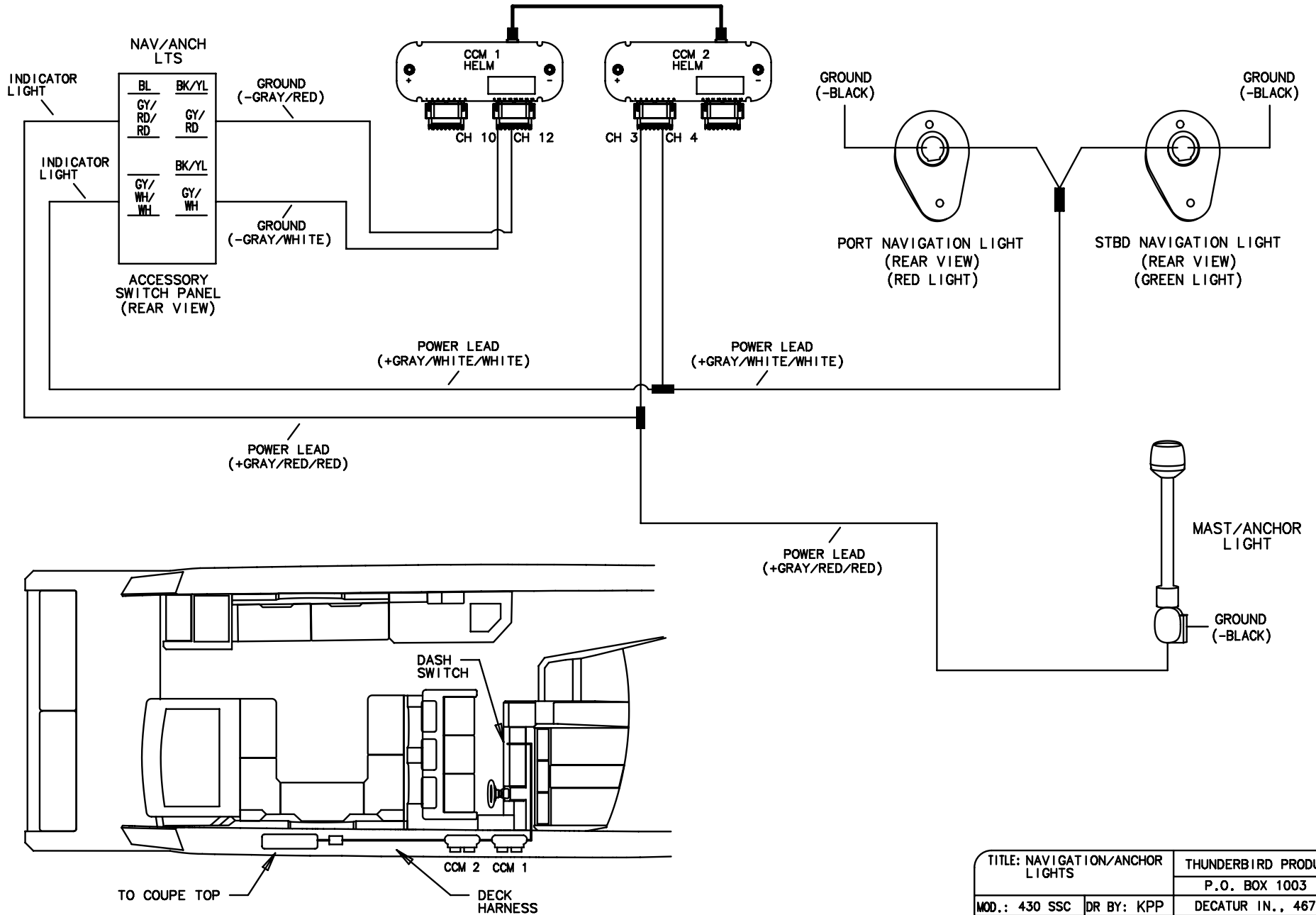


TITLE: HEAD LIGHTS		THUNDERBIRD PRODUCTS	
		P.O. BOX 1003	
MOD.: 430 SSC	DR BY: KPP	DECATUR IN., 46733	
NO.: 45	DATE: 12-9-17	(260) 724-9111	

# LEGEND

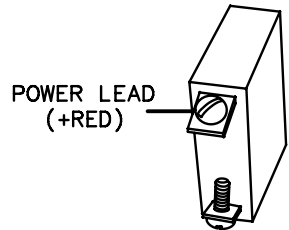
PLUG INTERCONNECT 

CCM 

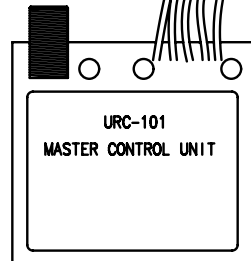
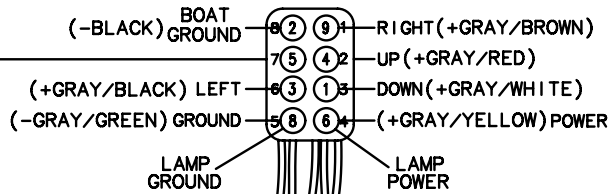


TITLE: NAVIGATION/ANCHOR LIGHTS		THUNDERBIRD PRODUCTS
		P.O. BOX 1003
MOD.: 430 SSC	DR BY: KPP	DECATUR IN., 46733
NO.: 46	DATE: 12-9-17	(260) 724-9111

SPOTLIGHT BREAKER  
(DASH BREAKER PANEL)  
(REAR VIEW)

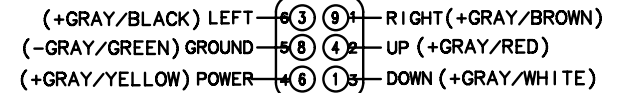
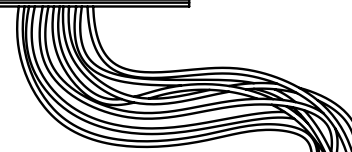
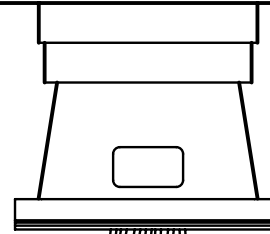
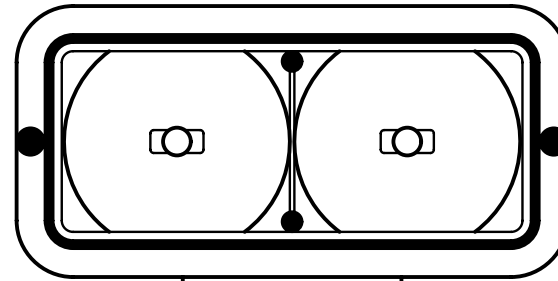


POWER LEAD  
(+GRAY/ORANGE)

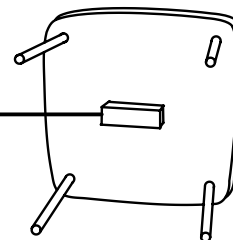


- 1 WHITE
- 2 BLUE
- 3 BLACK
- 4 RED
- 5 ORANGE
- 6 YELLOW
- 7 NOT USED
- 8 GREEN
- 9 BROWN

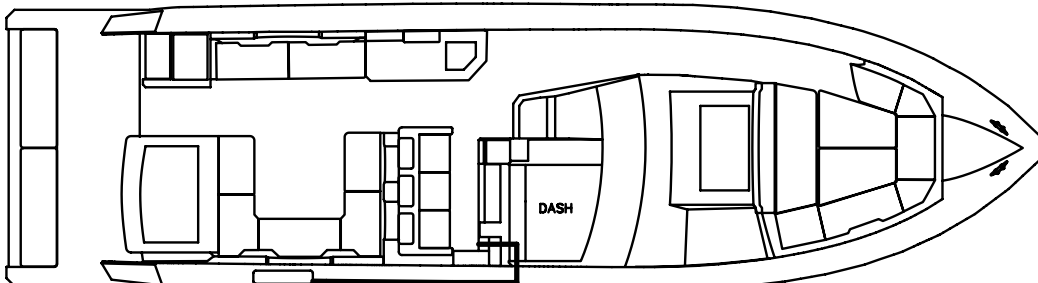
(HARDTOP)



- 1 WHITE
- 2 NOT USED
- 3 BLACK
- 4 RED
- 5 NOT USED
- 6 YELLOW
- 7 NOT USED
- 8 GREEN
- 9 BROWN



CONTROL PAD  
(REAR VIEW)

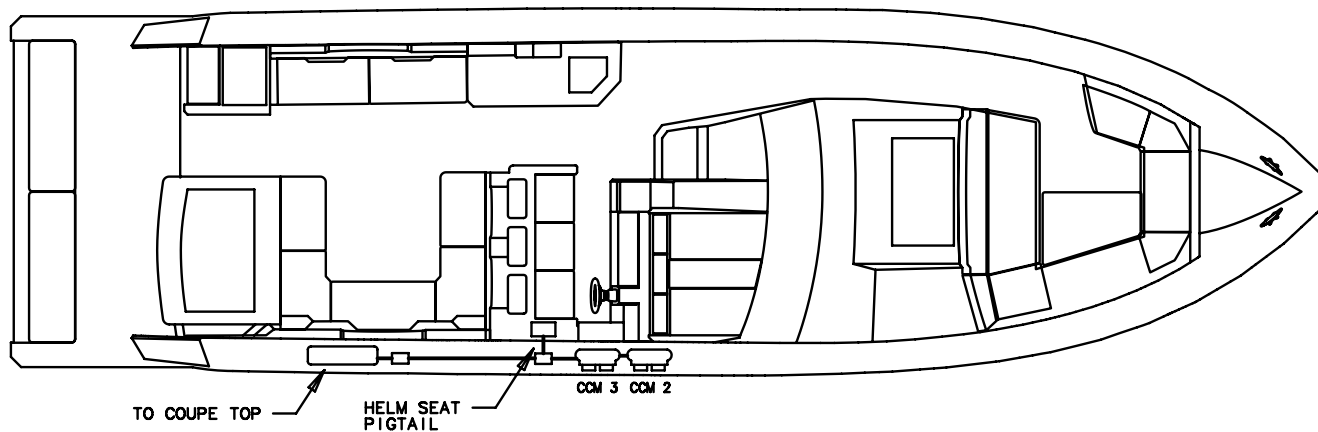
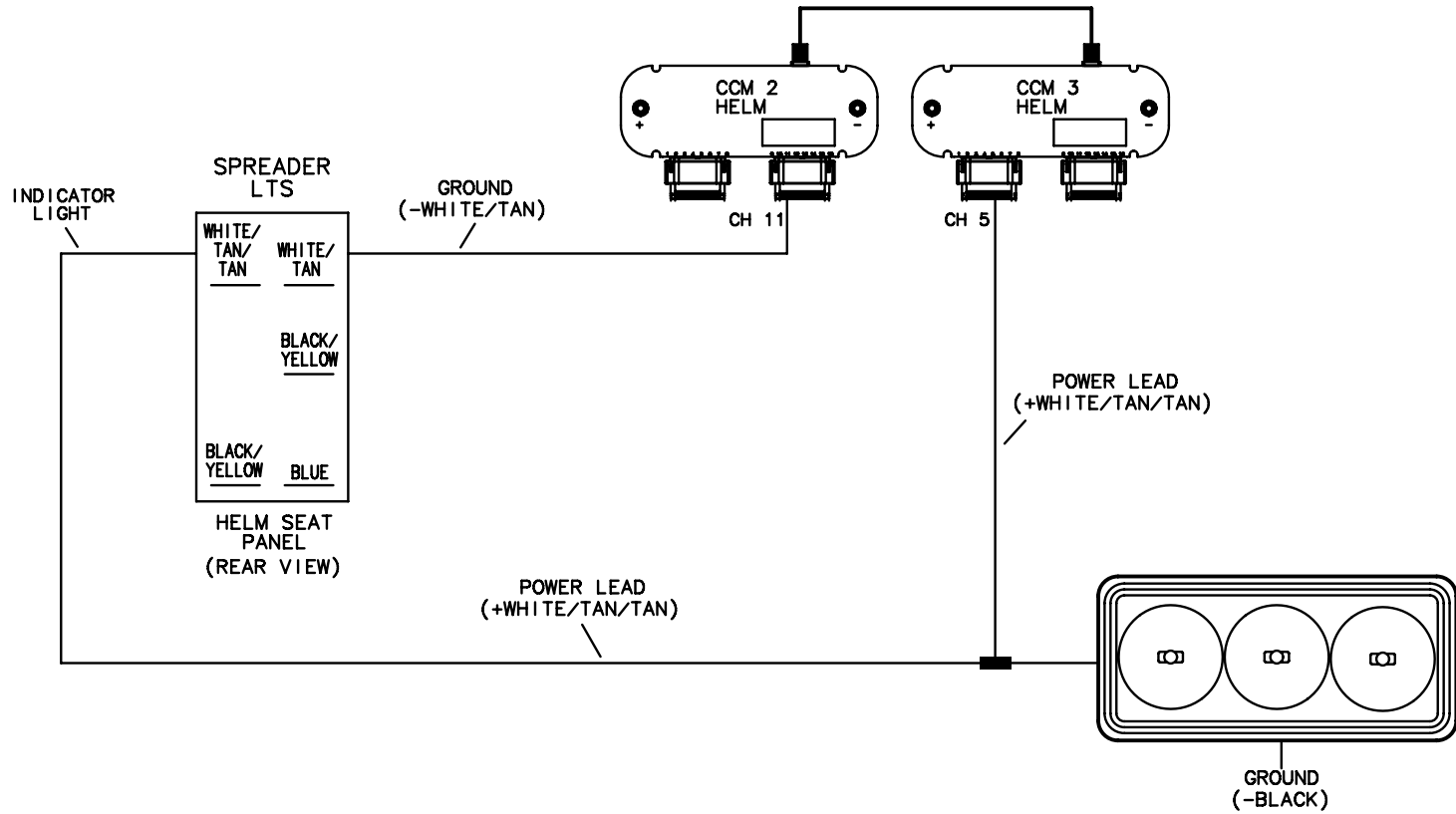


TITLE: SPOTLIGHT		THUNDERBIRD PRODUCTS
		P.O. BOX 1003
MOD.: 430 SSC	DR BY: KPP	DECATUR IN., 46733
NO.: 47	DATE: 12-9-17	(260) 724-9111

# LEGEND

PLUG INTERCONNECT 

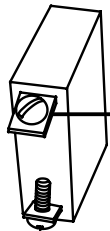
CCM 



TITLE: SPREADER LIGHTS		THUNDERBIRD PRODUCTS
		P.O. BOX 1003
MOD.: 430 SSC	DR BY: KPP	DECATUR IN., 46733
NO.: 48	DATE: 12-9-17	(260) 724-9111

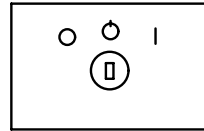


WASTE SYSTEM BREAKER  
CABIN DC PANEL  
(REAR VIEW)



POWER LEAD  
(+RED)

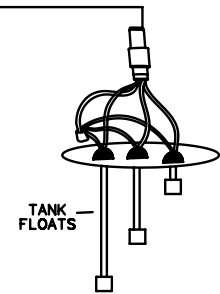
MACERATOR  
CONTROL



(HEAD UNIT)

DEUTSCH  
CONNECTOR

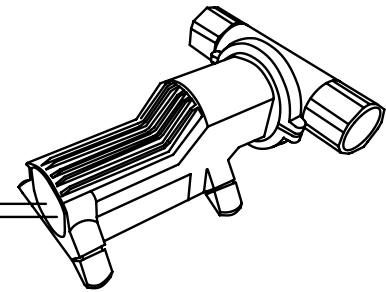
- GREEN — BLACK/WHITE/YELLOW (TO "EMPTY" FLOAT)
- BROWN — GREEN/ORANGE (TO MACERATOR)
- RED — GREEN/RED (POWER IN)
- BLACK — BLACK (GROUND)



TANK  
FLOATS

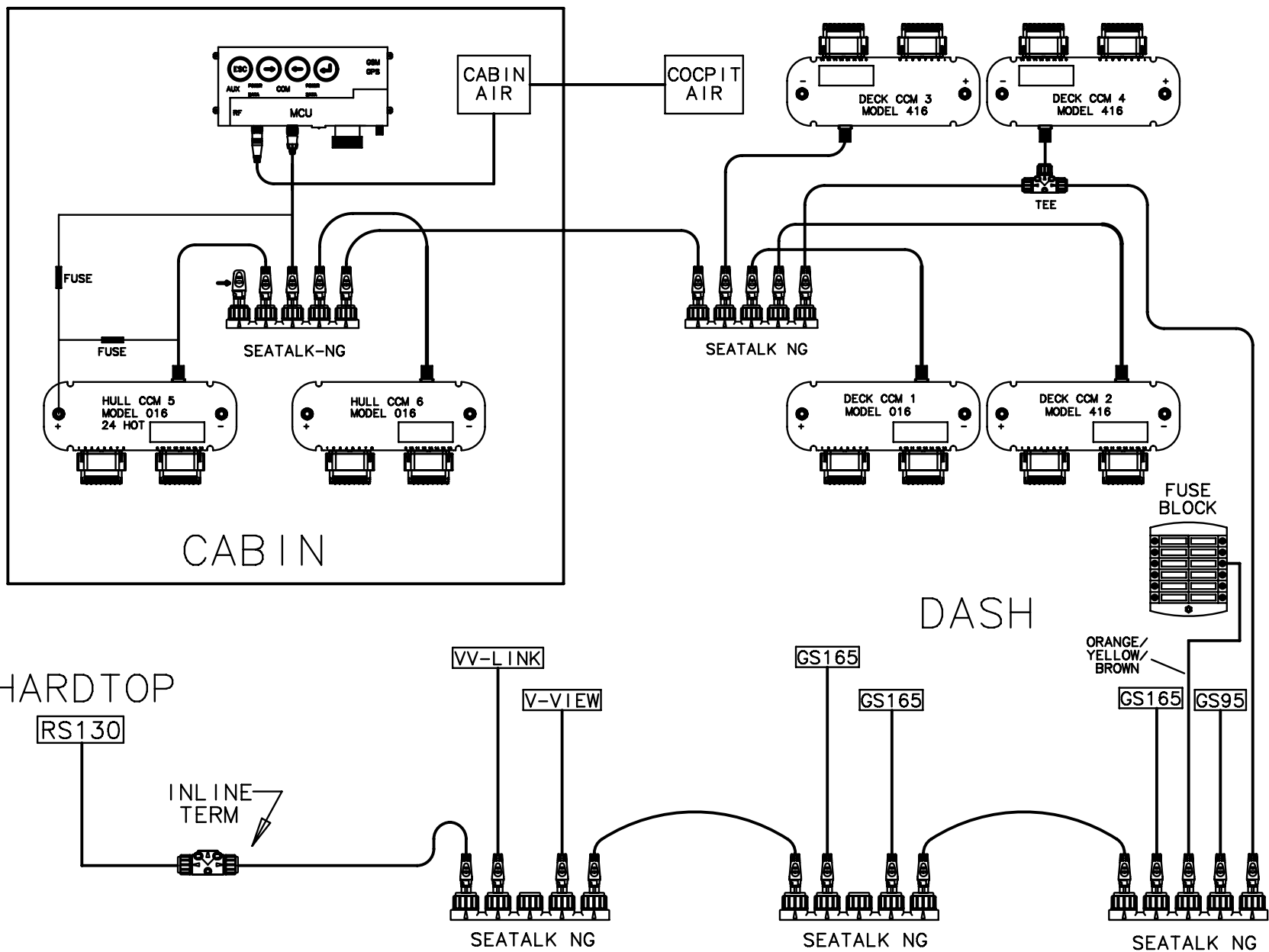
POWER LEAD  
(+GREEN/RED)

GROUND  
(-BLACK)



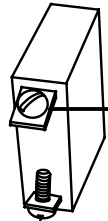
MACERATOR

TITLE: MACERATOR		THUNDERBIRD PRODUCTS
		P.O. BOX 1003
MOD.: 430 SSC	DR BY: KPP	DECATUR IN., 46733
NO.: 49	DATE: 12-9-17	(260) 724-9111



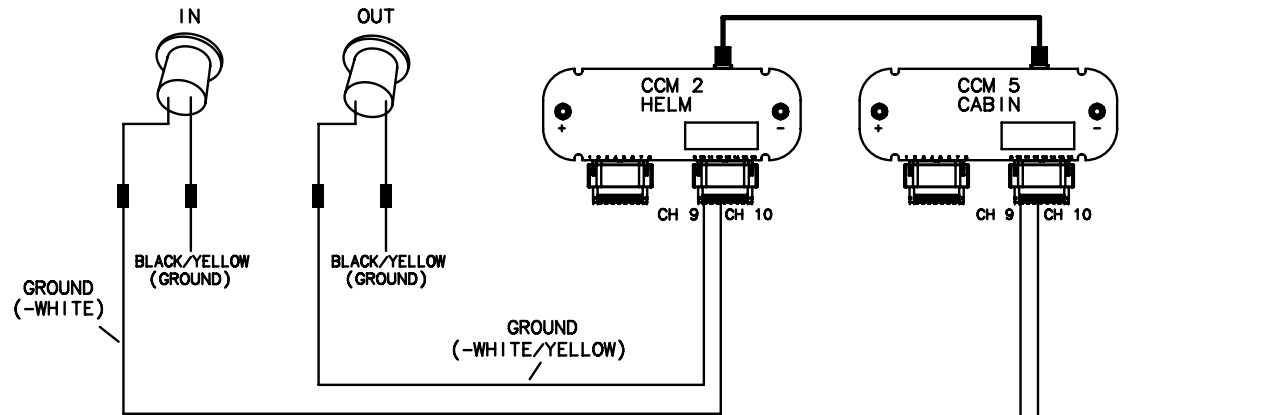
TITLE: NEMA 2000		THUNDERBIRD PRODUCTS
		P.O. BOX 1003
MOD.: 430 SSC	DR BY: KPP	DECATUR IN., 46733
NO.: 50	DATE: 12-9-17	(260) 724-9111

SHORE CORD REEL BREAKER  
(AFT BREAKER PANEL)  
(REAR VIEW)

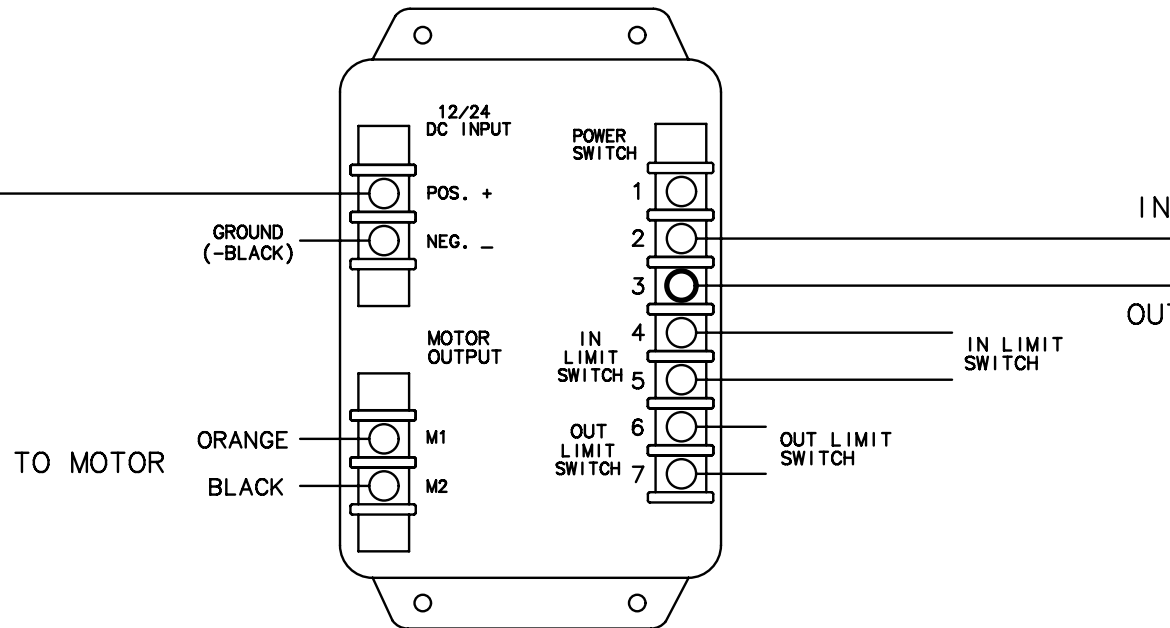


POWER LEAD  
(+RED)

POWER LEAD  
(+WHITE/GREEN/RED)



(LOCATED IN AFT PORT TRUNK)



TITLE: SHORECORD REEL		THUNDERBIRD PRODUCTS
		P.O. BOX 1003
MOD.: 430 SSC	DR BY: KPP	DECATUR IN., 46733
NO.: 51	DATE: 12-9-17	(260) 724-9111

SHOWER SUMP BREAKER  
AFT BREAKER PANEL  
(REAR VIEW)



POWER LEAD  
(+PINK/RED)

POWER LEAD  
(+RED/GRAY)

POWER LEAD  
(+RED/GRAY/WHITE)

POWER LEAD  
(+BROWN/WHITE)

FLOAT  
SWITCH

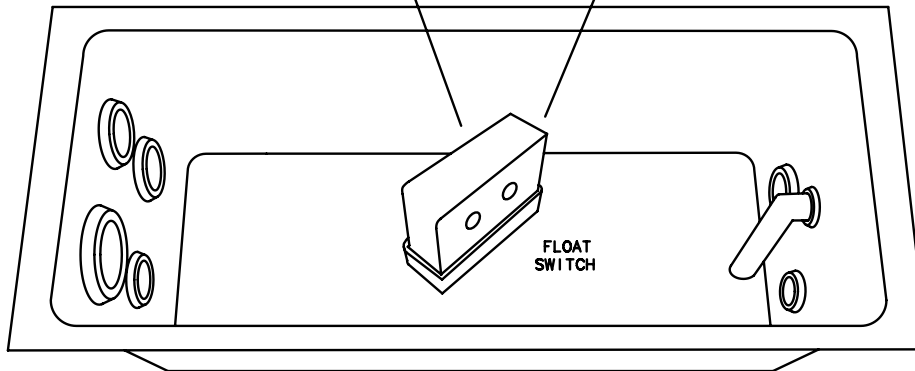
POWER LEAD  
(+BROWN)

POWER LEAD  
(+RED/GRAY/GRAY)

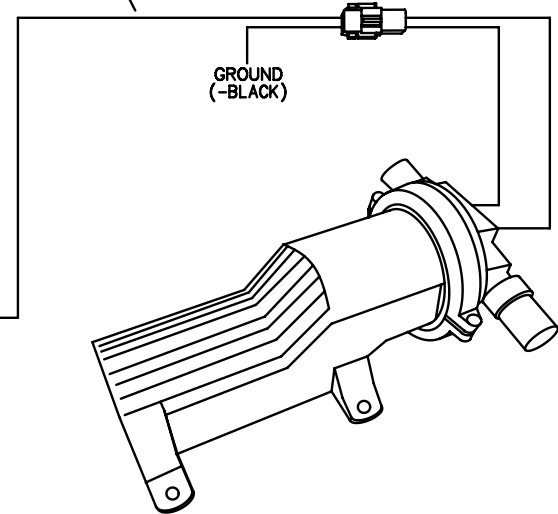
POWER LEAD  
(+RED/GRAY/GRAY)

GROUND  
(-BLACK)

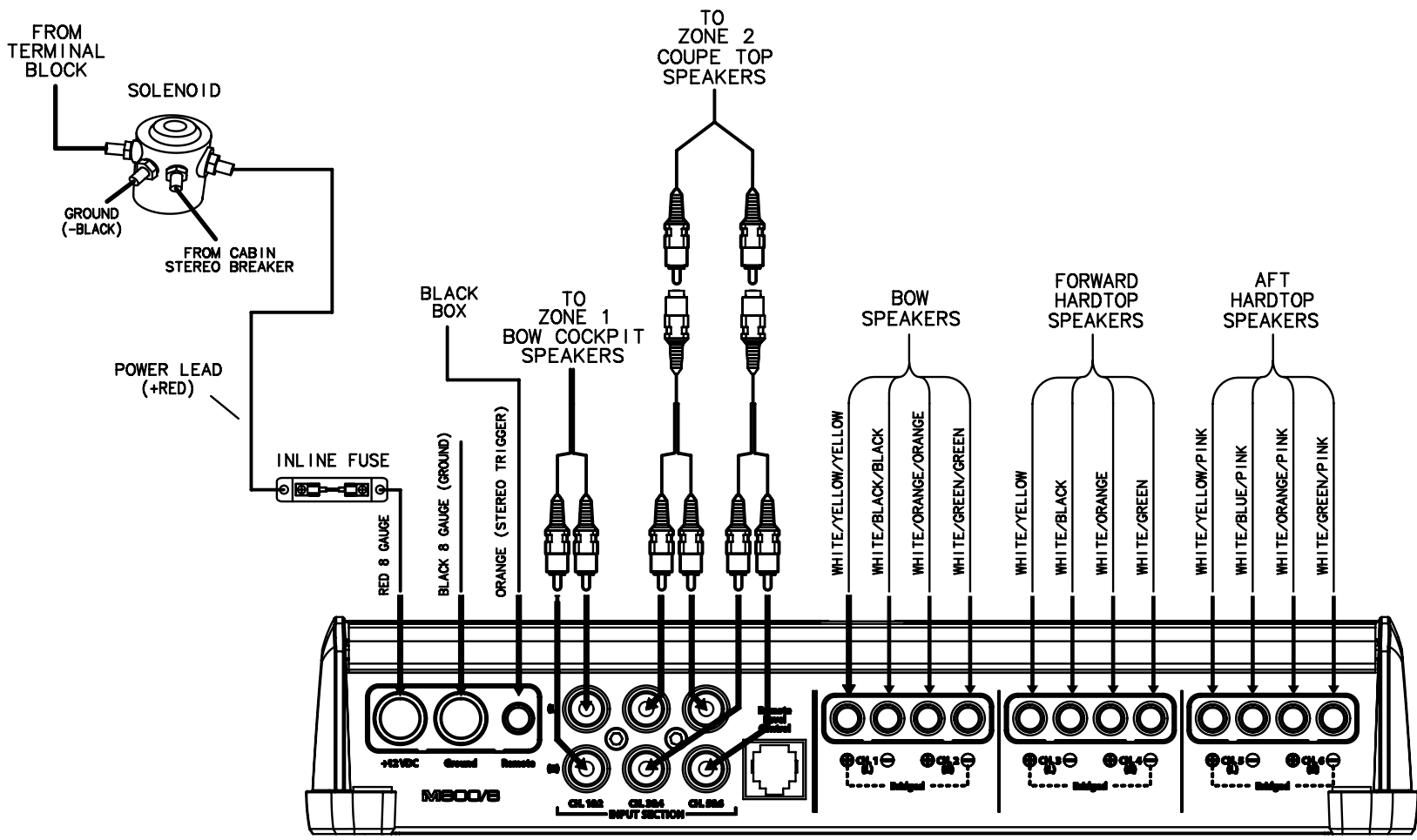
SUMP BOX



FLOAT  
SWITCH

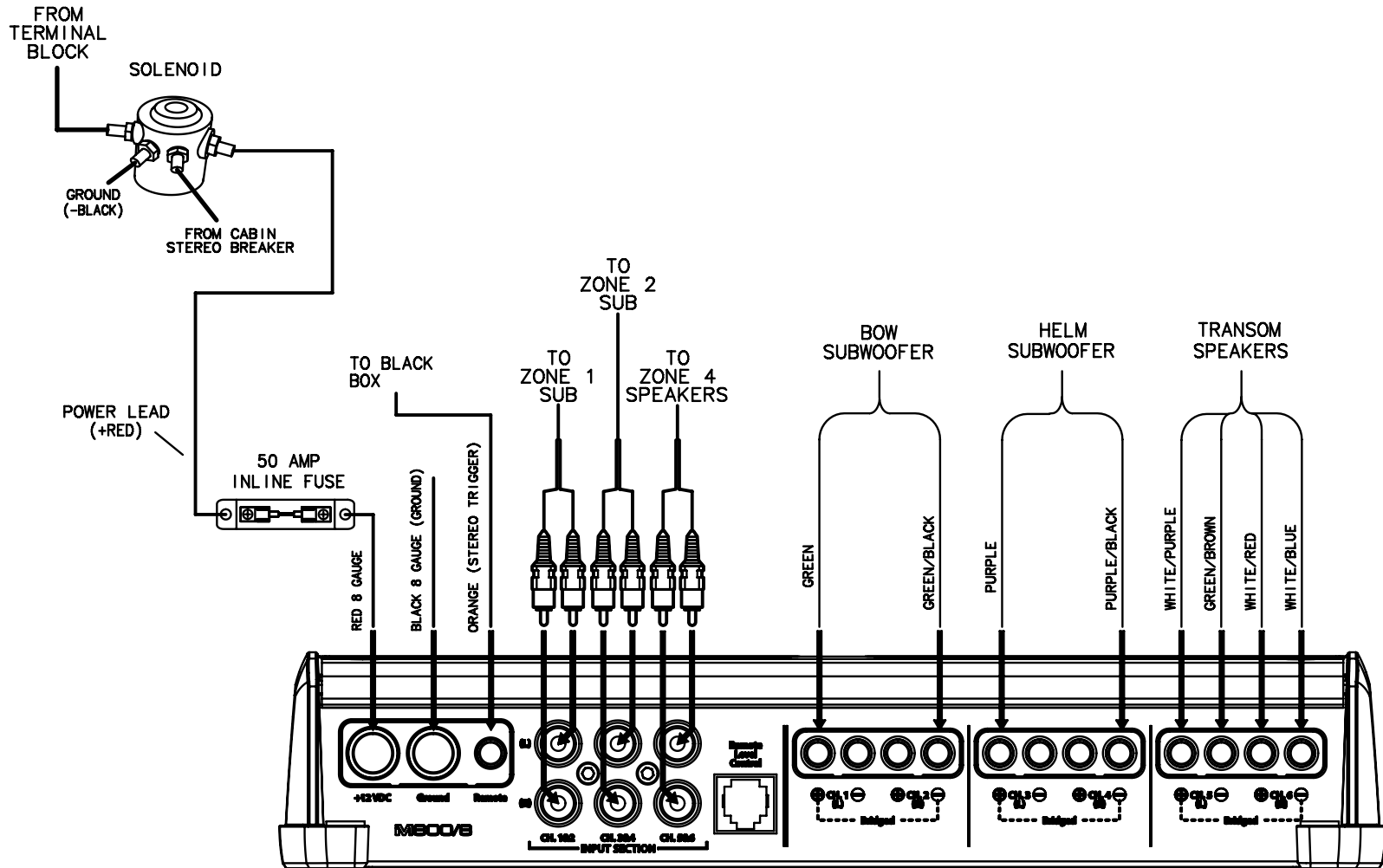


TITLE: SHOWER SUMP (ELECTRICAL)		THUNDERBIRD PRODUCTS
		P.O. BOX 1003
MOD.: 430 SSC	DR BY: KPP	DECATUR IN., 46733
NO.: 52	DATE: 12-9-17	(260) 724-9111



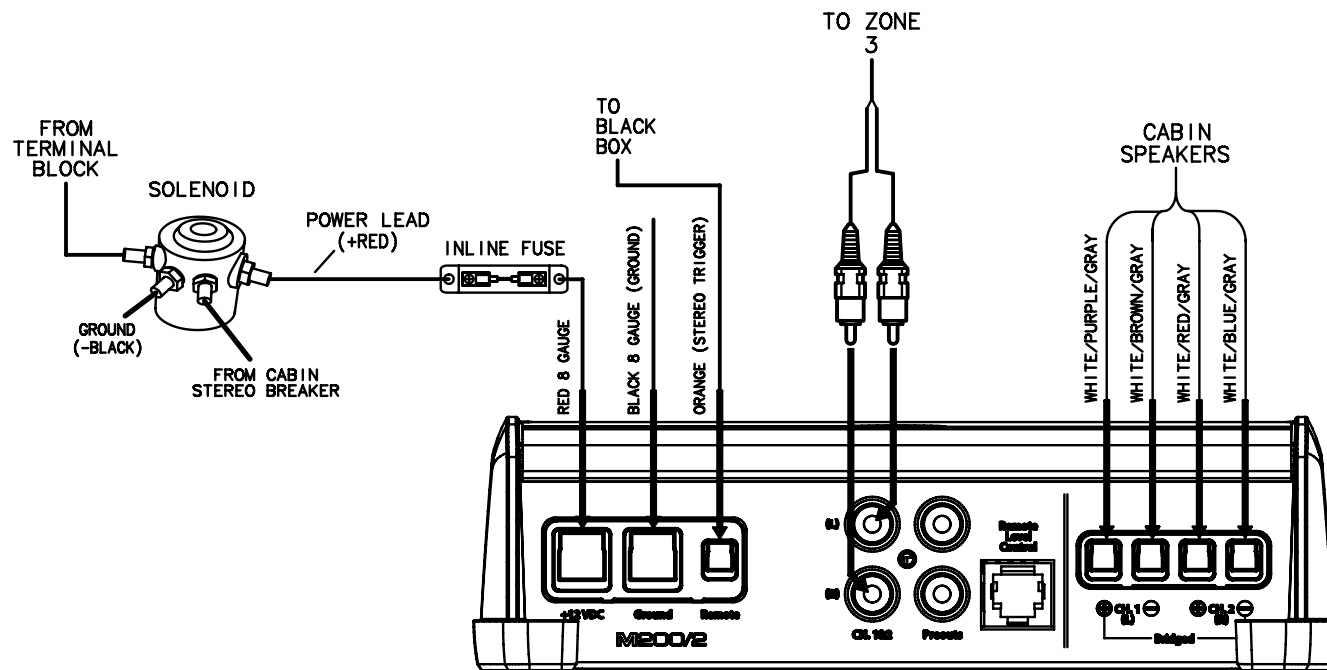
(LOCATED BEHIND AFT CABIN HEAD REST)

TITLE: STEREO AMP		THUNDERBIRD PRODUCTS
		P.O. BOX 1003
MOD.: 430 SSC	DR BY: KPP	DECATUR IN., 46733
NO.: 53	DATE: 12-9-17	(260) 724-9111



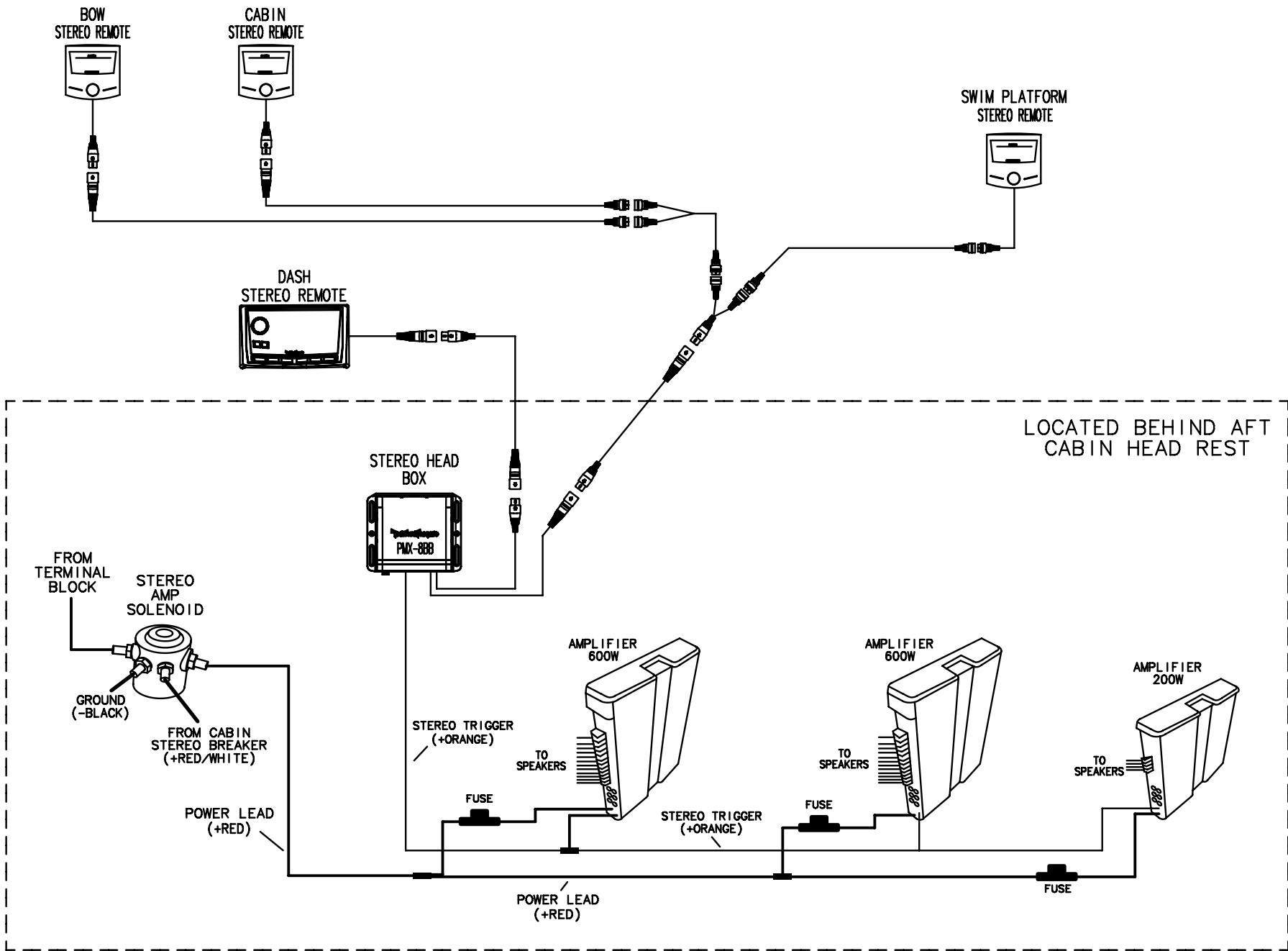
(LOCATED BEHIND AFT CABIN HEAD REST)

TITLE: STEREO AMP 2		THUNDERBIRD PRODUCTS
		P.O. BOX 1003
MOD.: 430 SSC	DR BY: KPP	DECATUR IN., 46733
NO.: 54	DATE: 12-9-17	(260) 724-9111



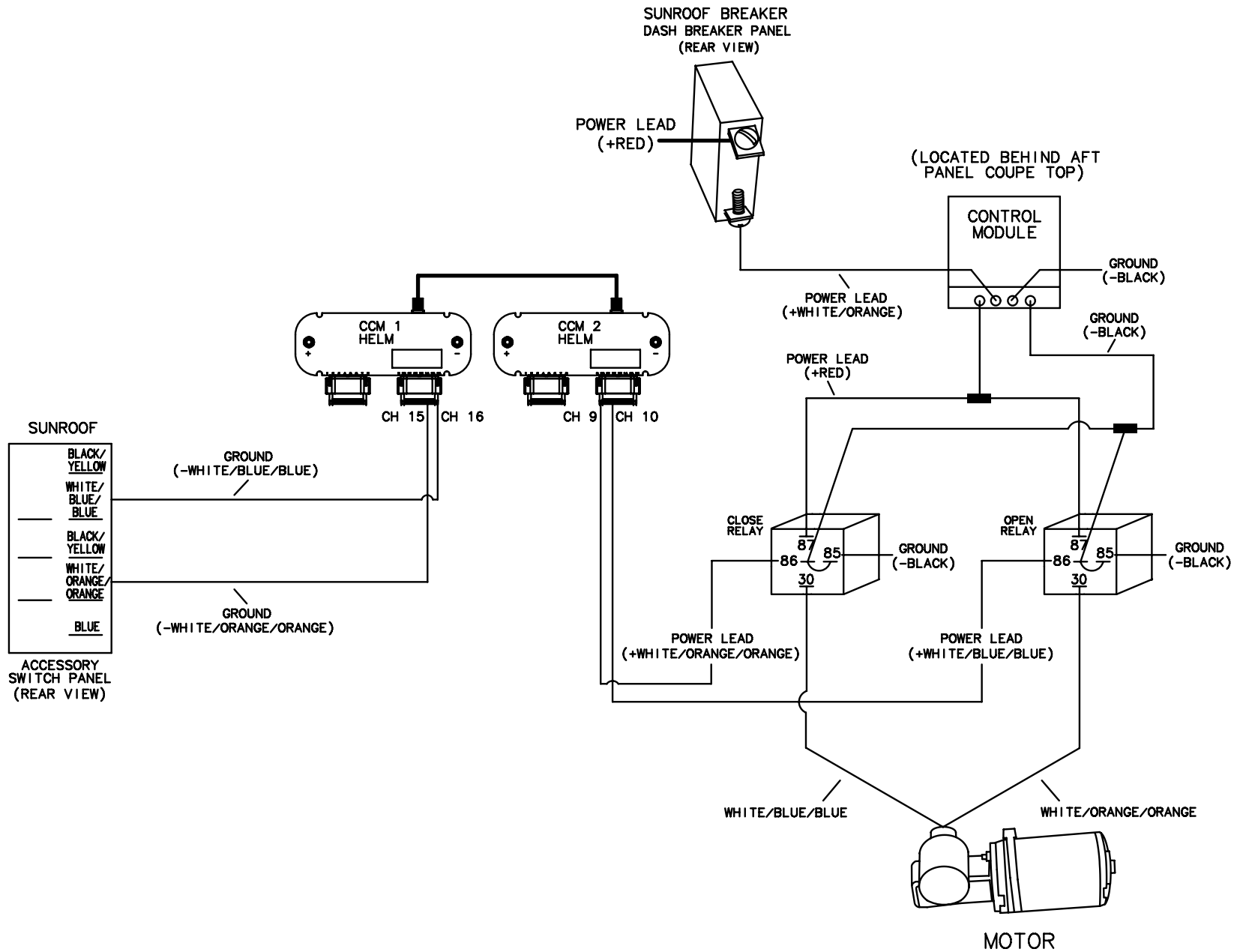
(LOCATED BEHIND AFT CABIN HEAD REST)

TITLE: STEREO AMP 3		THUNDERBIRD PRODUCTS
		P.O. BOX 1003
MOD.: 430 SSC	DR BY: KPP	DECATUR IN., 46733
NO.: 55	DATE: 12-9-17	(260) 724-9111

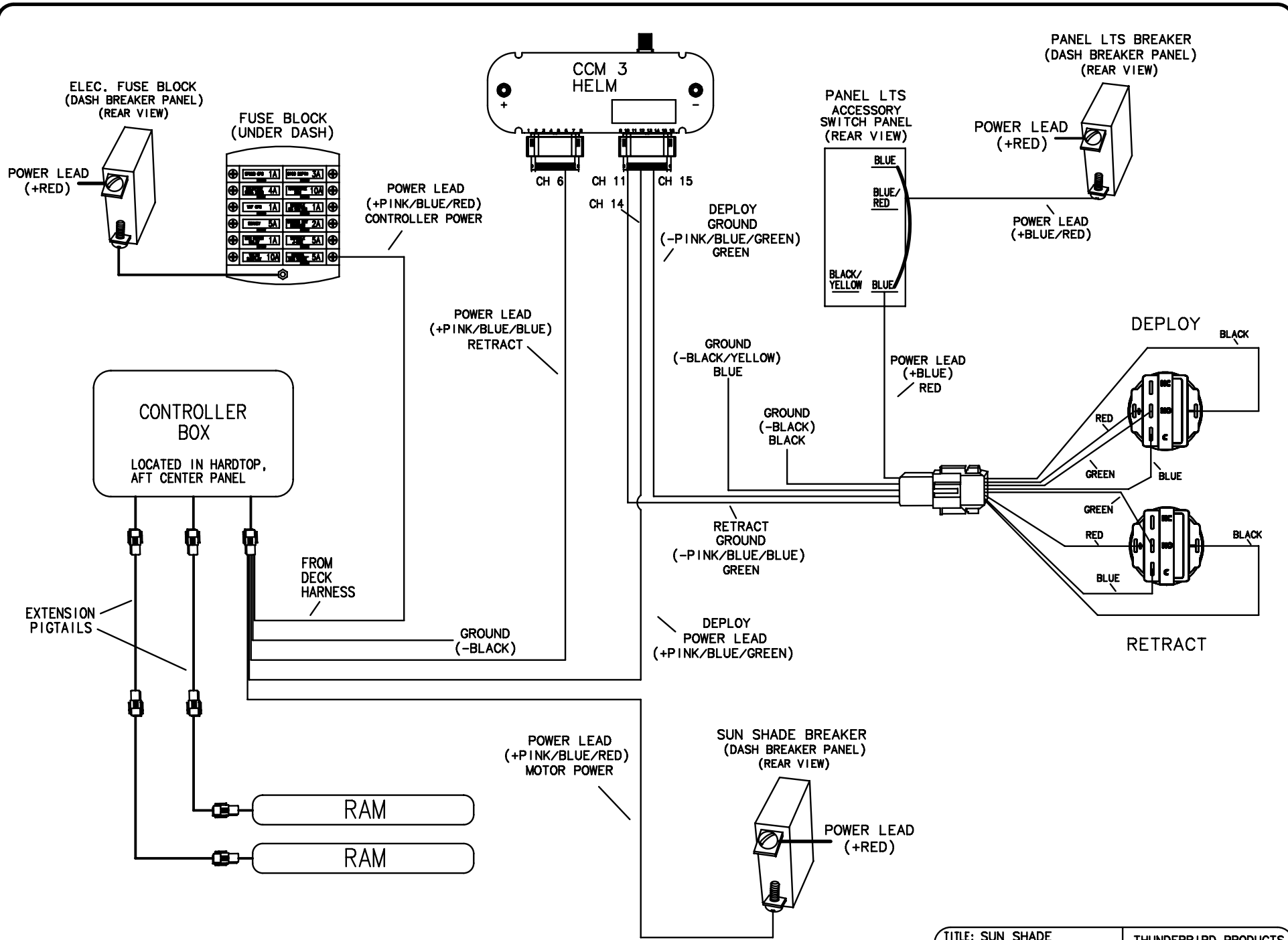


TITLE: STEREO SYSTEM		THUNDERBIRD PRODUCTS
		P.O. BOX 1003
MOD.: 430 SSC	DR BY: KPP	DECATUR IN., 46733
NO.: 56	DATE: 12-9-17	(260) 724-9111

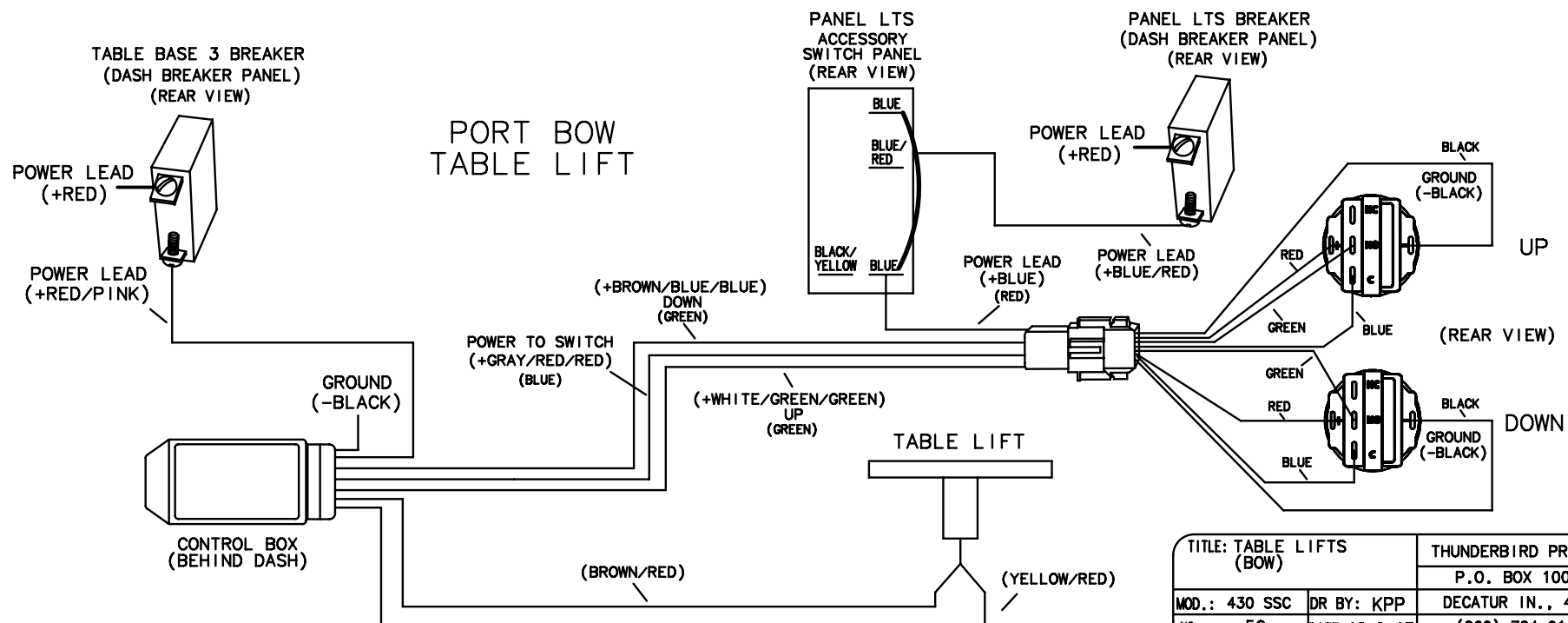
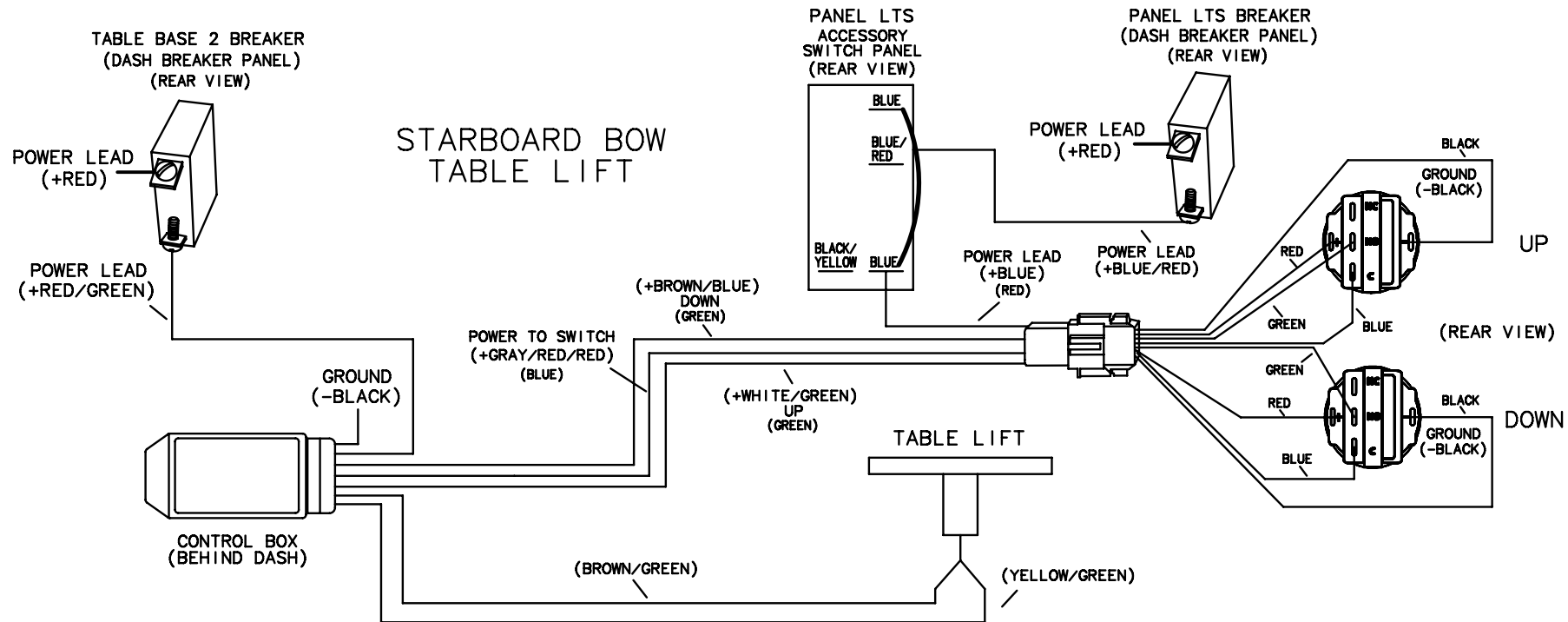




TITLE: SUN ROOF		THUNDERBIRD PRODUCTS
		P.O. BOX 1003
MOD.: 430 SSC	DR BY: KPP	DECATUR IN., 46733
NO.: 57	DATE: 12-9-17	(260) 724-9111

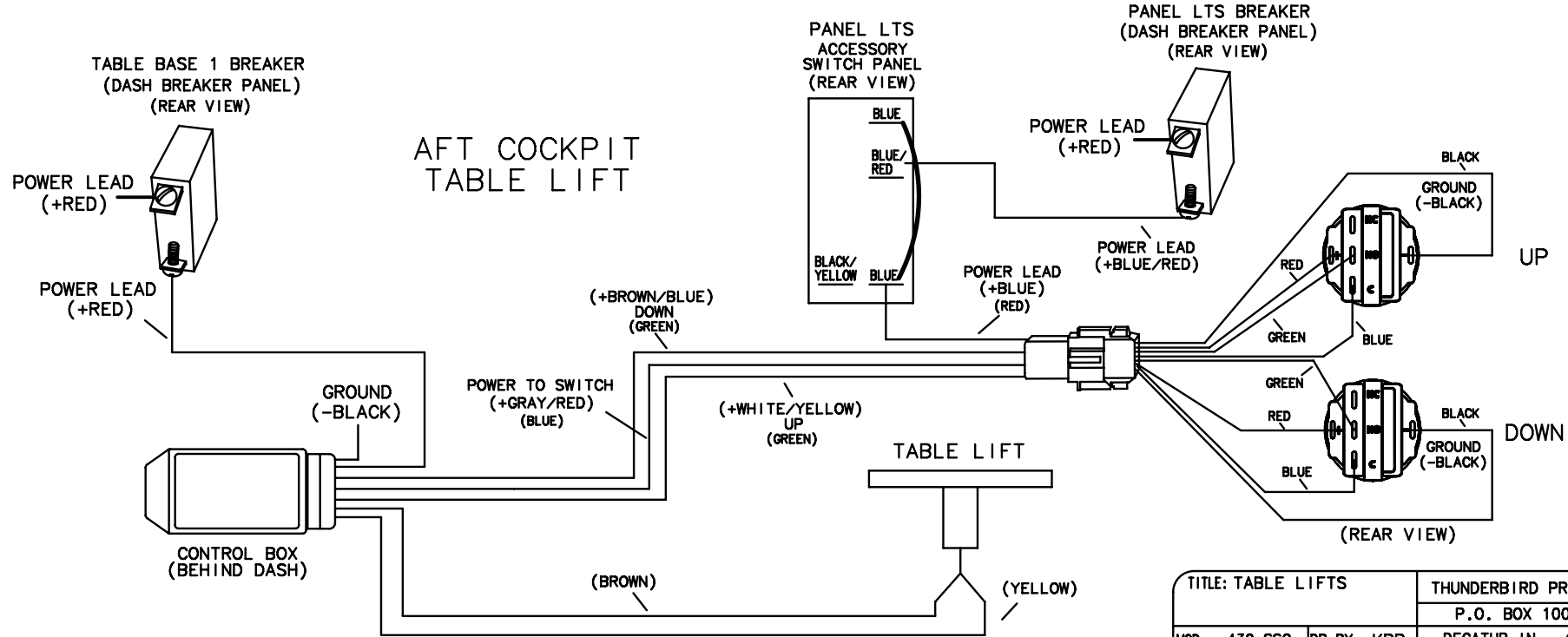
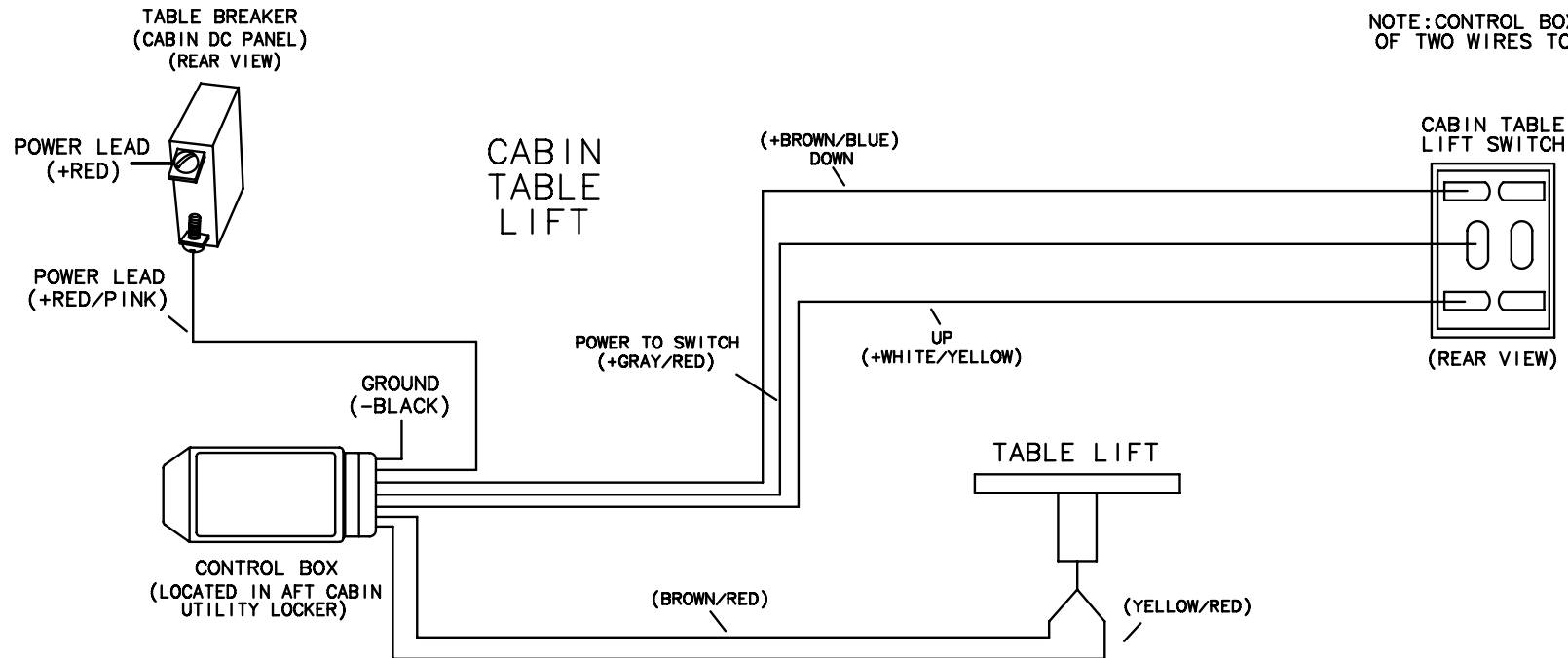


TITLE: SUN SHADE		THUNDERBIRD PRODUCTS	
		P.O. BOX 1003	
MOD.: 430 SSC	DR BY: KPP	DECATUR IN., 46733	
NO.: 58	DATE: 12-9-17	(260) 724-9111	

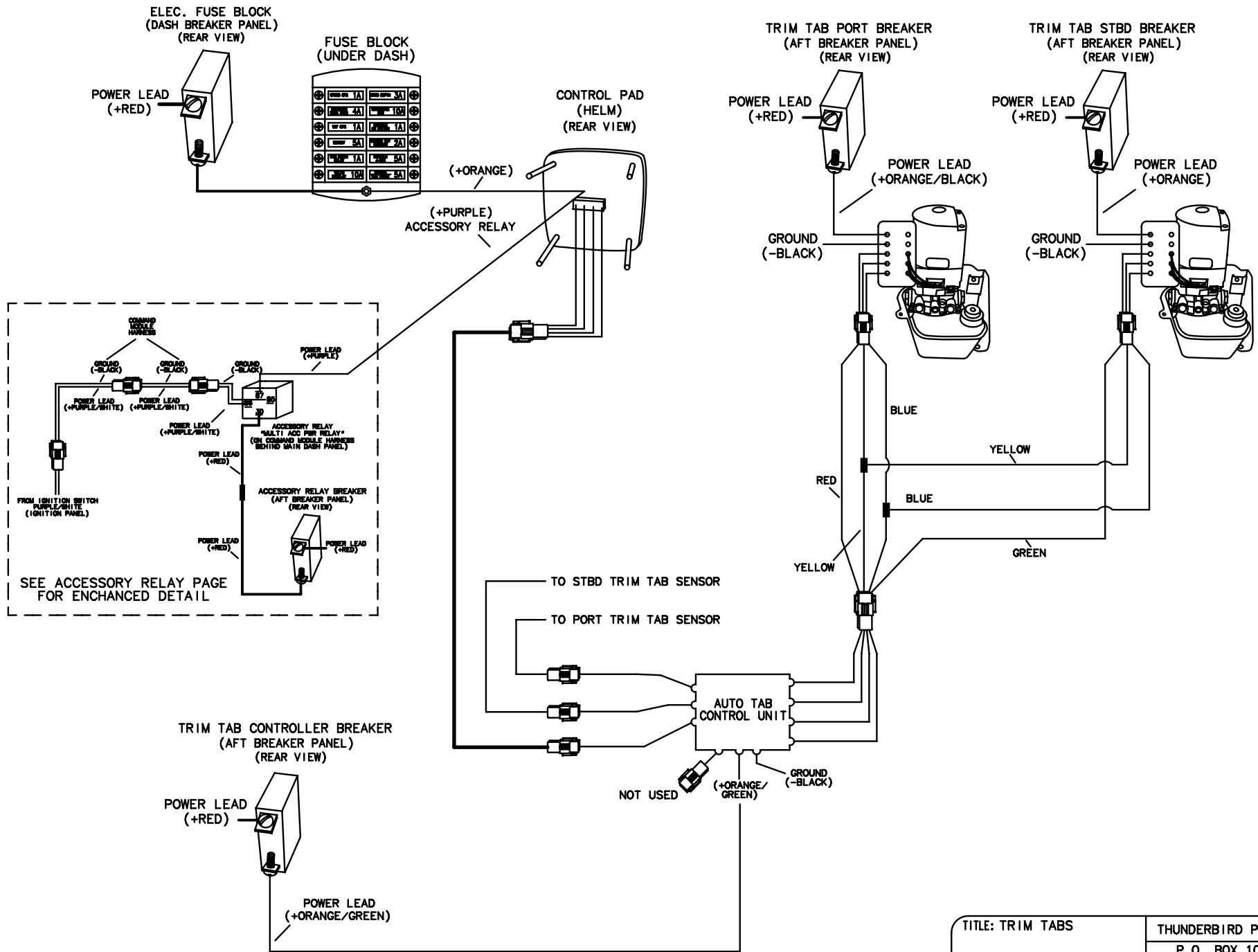


TITLE: TABLE LIFTS (BOW)		THUNDERBIRD PRODUCTS
		P.O. BOX 1003
MOD.: 430 SSC	DR BY: KPP	DECATUR IN., 46733
NO.: 59	DATE: 12-9-17	(260) 724-9111

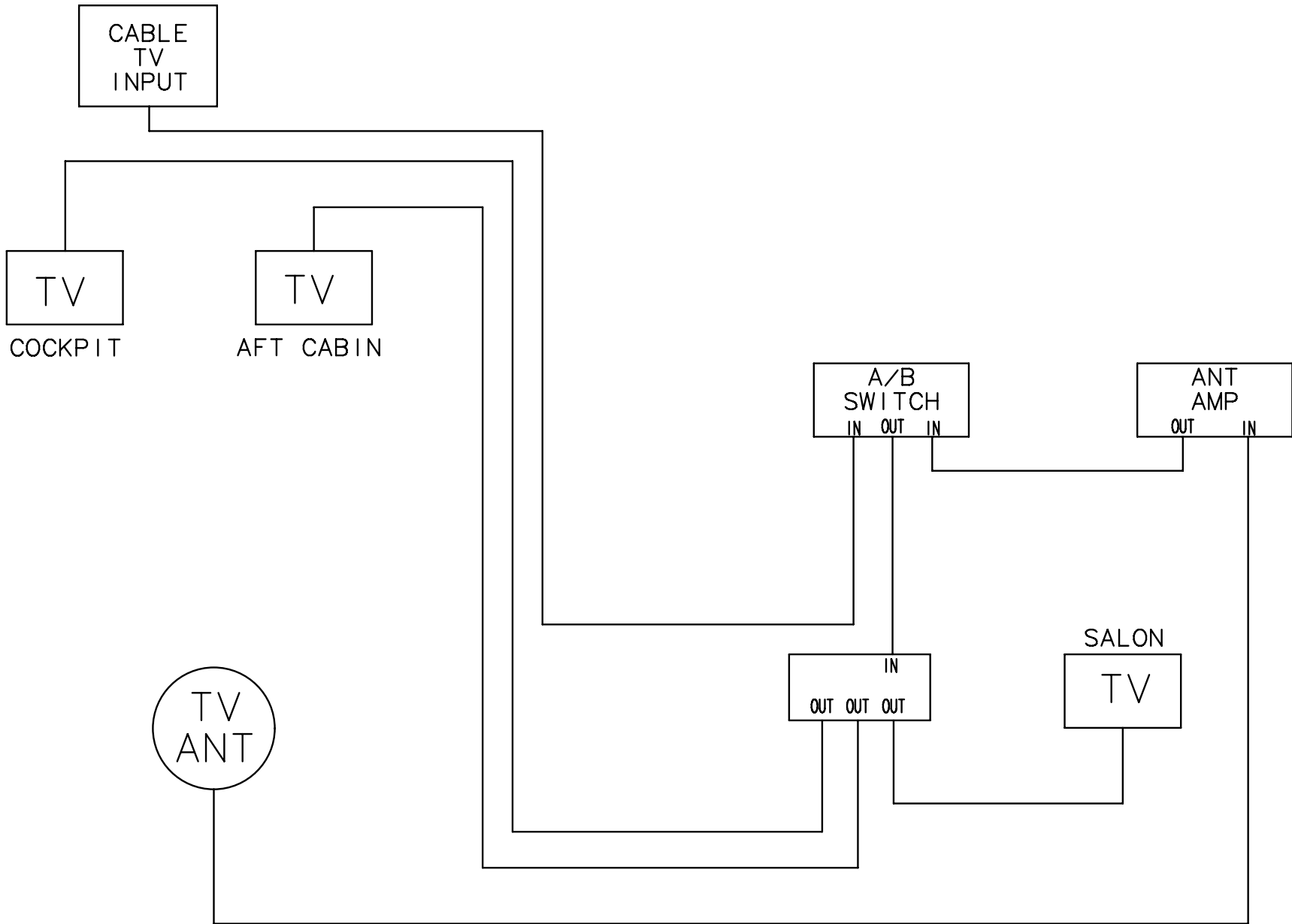
NOTE: CONTROL BOX REVERSES POLARITY OF TWO WIRES TO TABLE LIFT MOTOR.



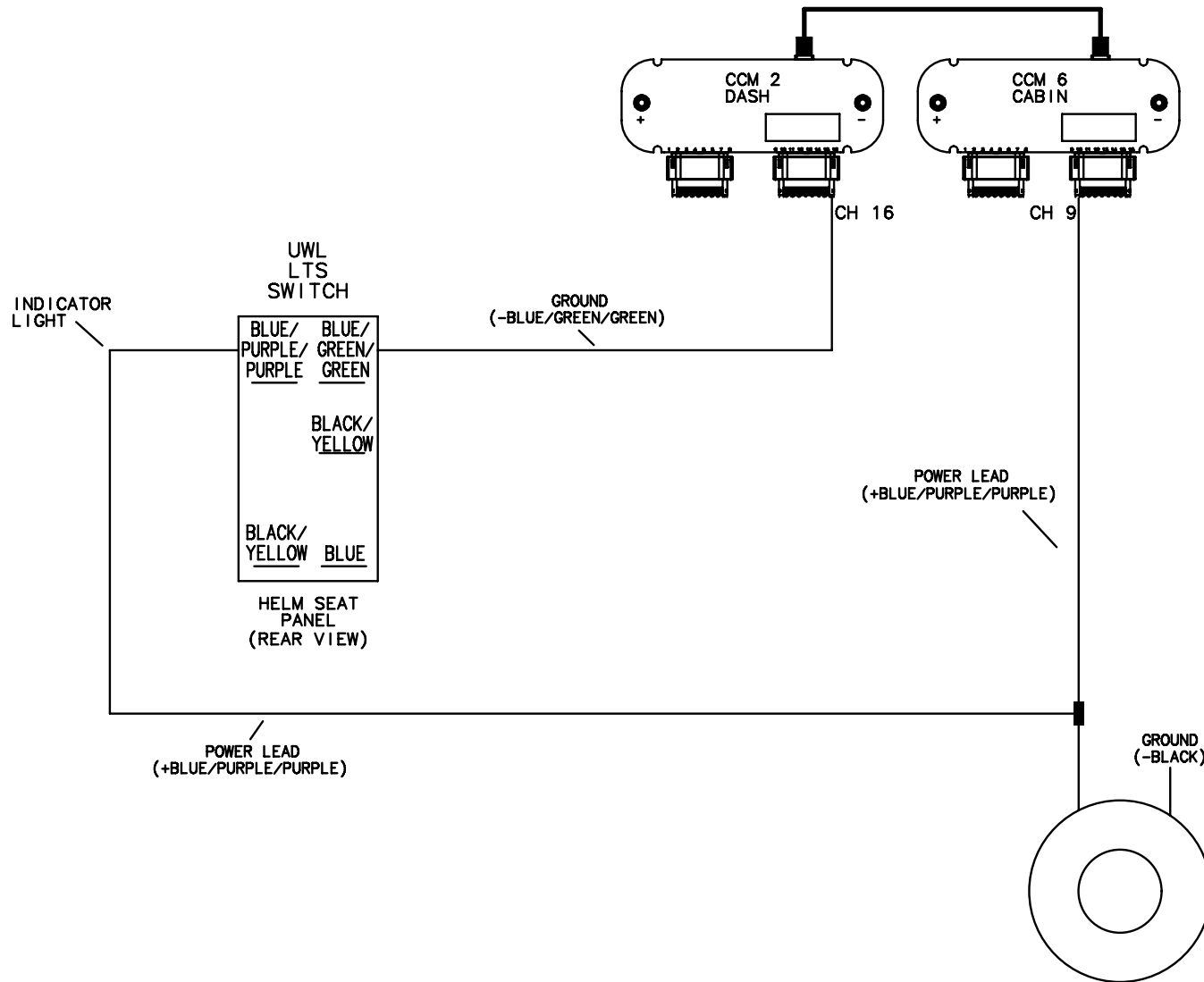
TITLE: TABLE LIFTS		THUNDERBIRD PRODUCTS	
		P.O. BOX 1003	
MOD.: 430 SSC	DR BY: KPP	DECATUR IN., 46733	
NO.: 60	DATE: 12-9-17	(260) 724-9111	



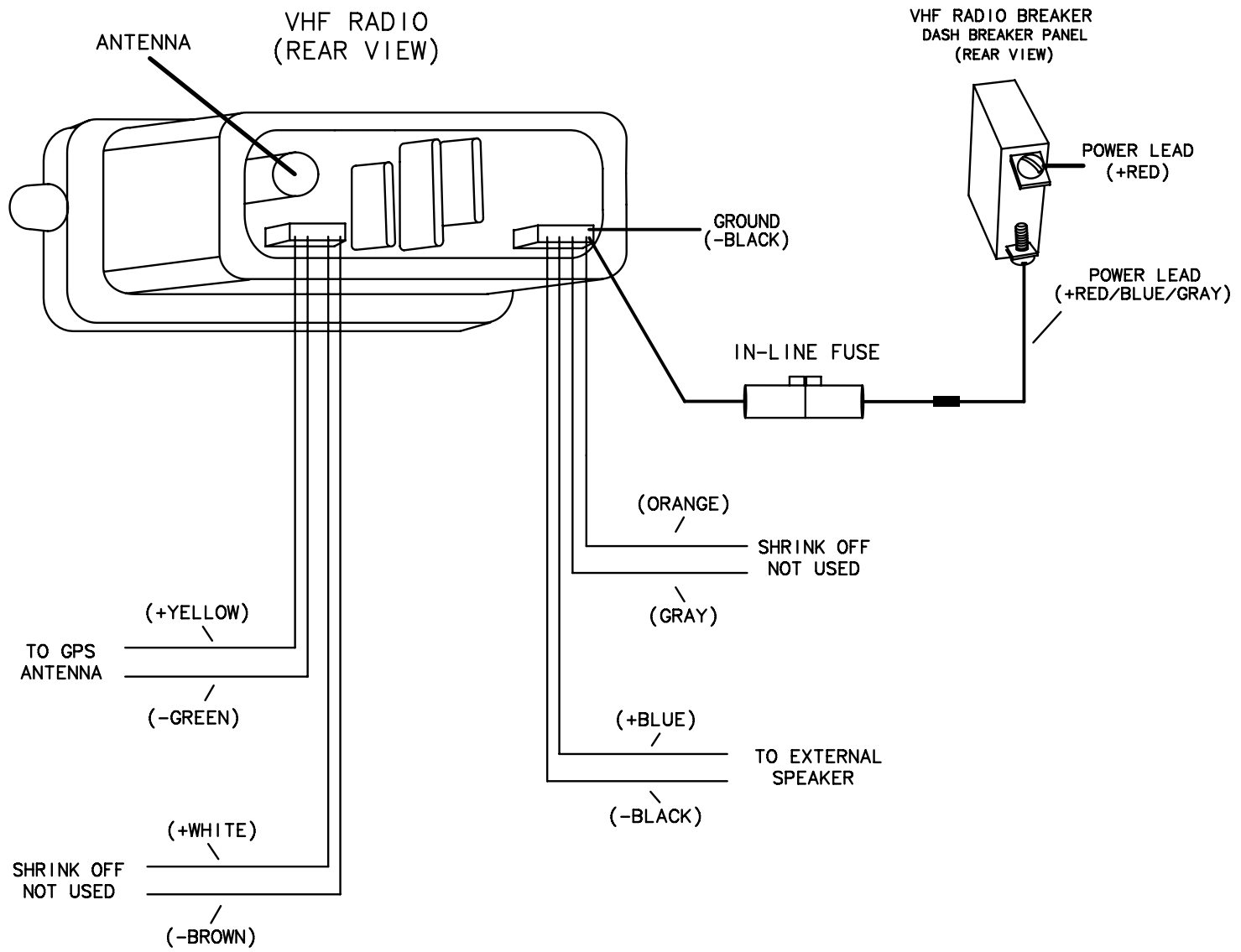
TITLE: TRIM TABS		THUNDERBIRD PRODUCTS	
		P.O. BOX 1003	
MOD.: 430 SSC	DR BY: KPP	DECATUR IN., 46733	
NO.: 61	DATE: 12-9-17	(260) 724-9111	



TITLE: TV INPUT		THUNDERBIRD PRODUCTS	
		P.O. BOX 1003	
MOD.: 430 SSC	DR BY: KPP	DECATUR IN., 46733	
NO.: 62	DATE: 12-9-17	(260) 724-9111	

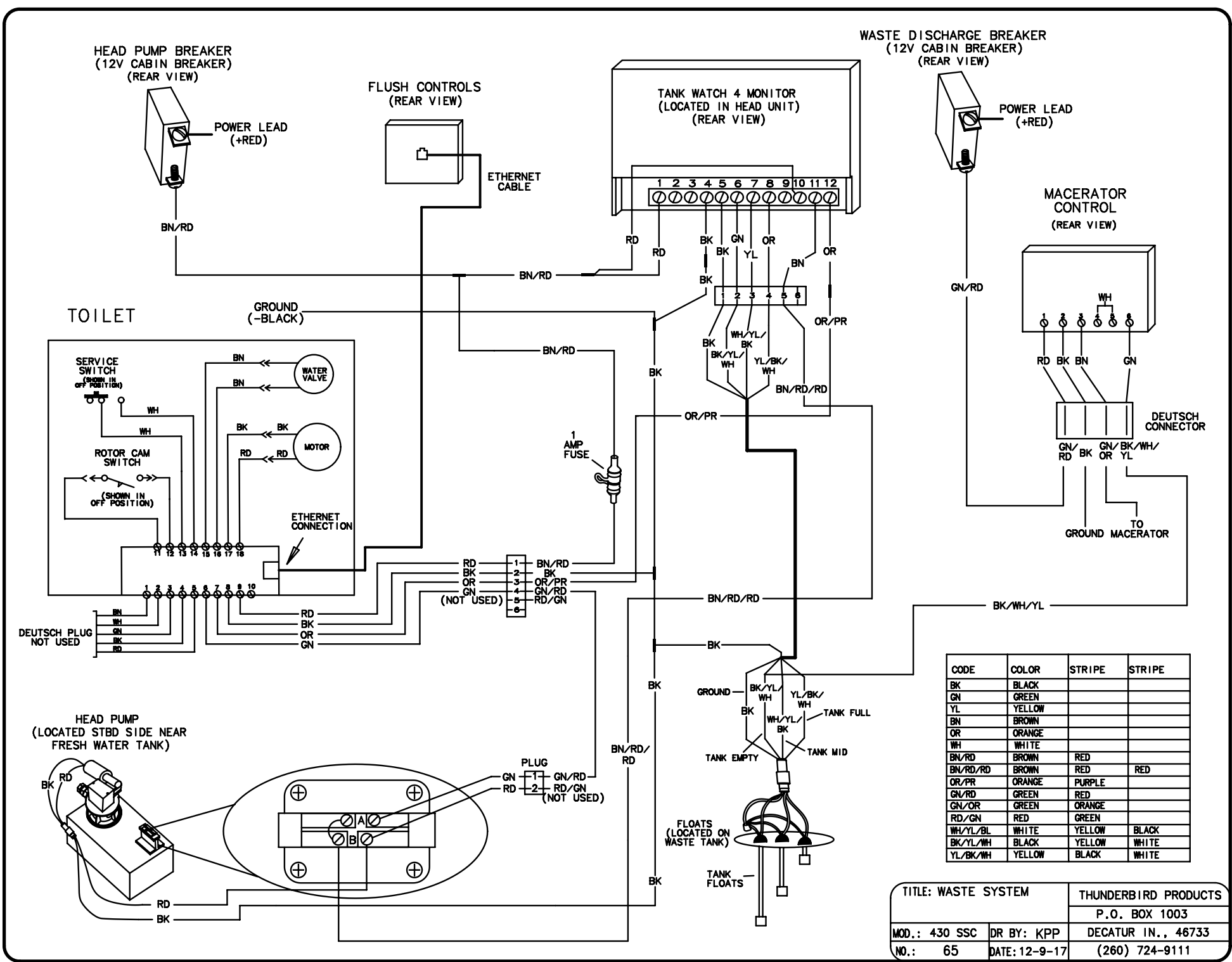


TITLE: UNDERWATER LIGHTS		THUNDERBIRD PRODUCTS
		P.O. BOX 1003
MOD.: 430 SSC	DR BY: KPP	DECATUR IN., 46733
NO.: 63	DATE: 12-9-17	(260) 724-9111



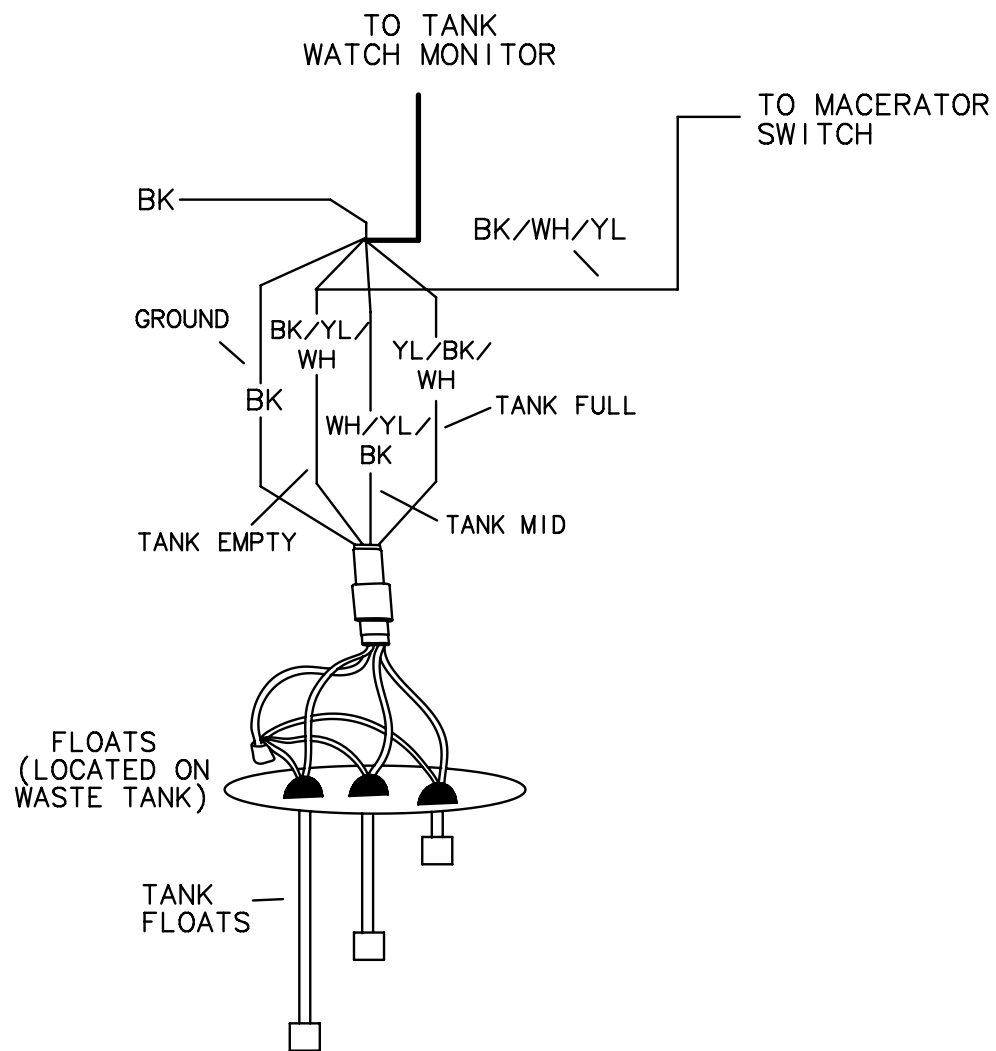
TITLE: VHF RADIO		THUNDERBIRD PRODUCTS
		P.O. BOX 1003
MOD.: 430 SSC	DR BY: KPP	DECATUR IN., 46733
NO.: 64	DATE: 12-9-17	(260) 724-9111





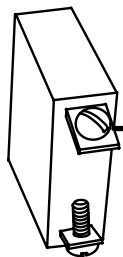
CODE	COLOR	STRIPE	STRIPE
BK	BLACK		
GN	GREEN		
YL	YELLOW		
BN	BROWN		
OR	ORANGE		
WH	WHITE		
BN/RD	BROWN	RED	
BN/RD/RD	BROWN	RED	RED
OR/PR	ORANGE	PURPLE	
GN/RD	GREEN	RED	
GN/OR	GREEN	ORANGE	
RD/GN	RED	GREEN	
WH/YL/BL	WHITE	YELLOW	BLACK
BK/YL/WH	BLACK	YELLOW	WHITE
YL/BK/WH	YELLOW	BLACK	WHITE

TITLE: WASTE SYSTEM THUNDERBIRD PRODUCTS  
 P.O. BOX 1003  
 MOD.: 430 SSC DR BY: KPP DECATUR IN., 46733  
 NO.: 65 DATE: 12-9-17 (260) 724-9111



TITLE: WASTE SYSTEMS (FLOAT)		THUNDERBIRD PRODUCTS
		P.O. BOX 1003
MOD.: 430 SSC	DR BY: KPP	DECATUR IN., 46733
NO.: 66	DATE: 12-9-17	(260) 724-9111

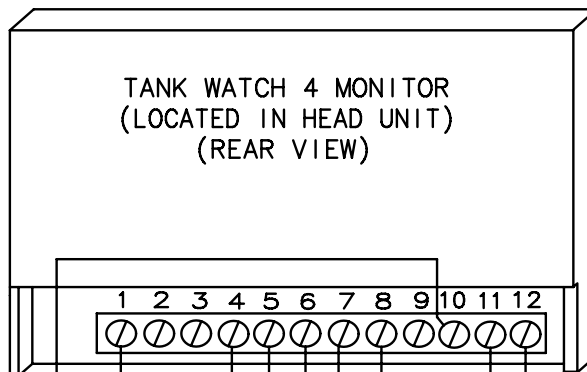
WASTE SYSTEM BREAKER  
(DC BREAKER PANEL)  
(REAR VIEW)



POWER LEAD  
(+RED)

BN/RD

TANK WATCH 4 MONITOR  
(LOCATED IN HEAD UNIT)  
(REAR VIEW)



1 2 3 4 5 6 7 8 9 10 11 12

RD

RD

BK

BK

GN

YL

OR

BN

OR

GROUND  
(-BLACK)

1 2 3 4 5 6

BK

WH/YL/  
BK

BK/YL/  
WH

YL/BK/  
WH

OR/PR

BN/RD/RD

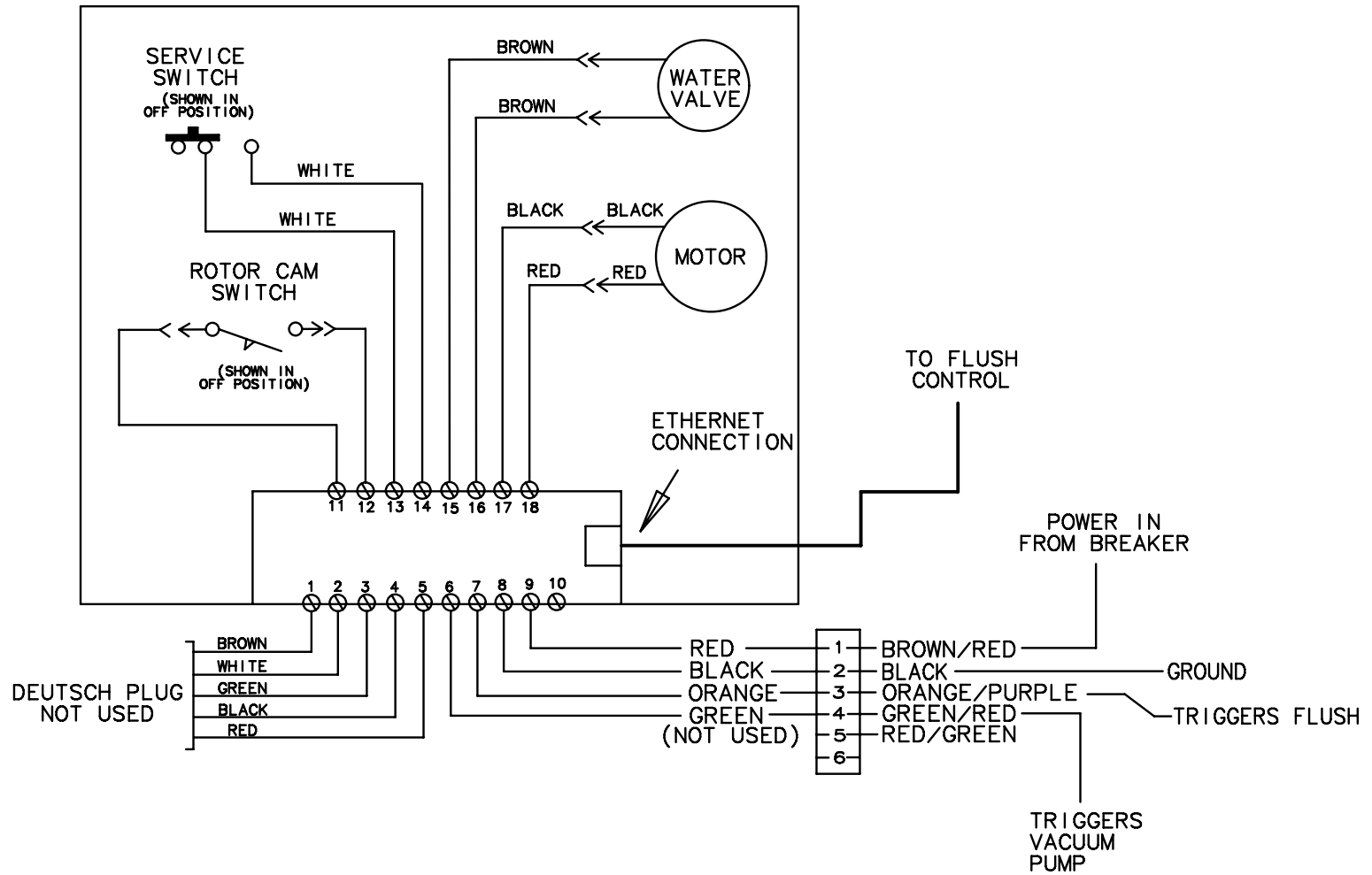
FLUSH  
TOILET

POWER TO  
VACUUM PUMP

TO FLOAT  
ON WASTE TANK

TITLE: WASTE SYSTEM (TANK WATCH)		THUNDERBIRD PRODUCTS
		P.O. BOX 1003
MOD.: 430 SSC	DR BY: KPP	DECATUR IN., 46733
NO.: 67	DATE: 12-9-17	(260) 724-9111

# TOILET



TITLE: WASTE SYSTEM (TOILET)		THUNDERBIRD PRODUCTS
		P.O. BOX 1003
MOD.: 430 SSC	DR BY: KPP	DECATUR IN., 46733
NO.: 68	DATE: 12-9-17	(260) 724-9111

# LEGEND

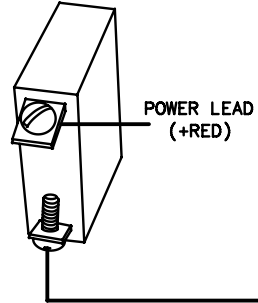
MOTOR



PLUG  
INTERCONNECT

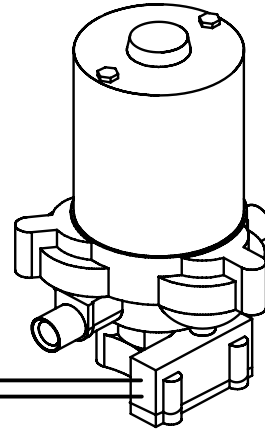


FRESH WATER PUMP BREAKER  
(CABIN DC PANEL)  
(REAR VIEW)



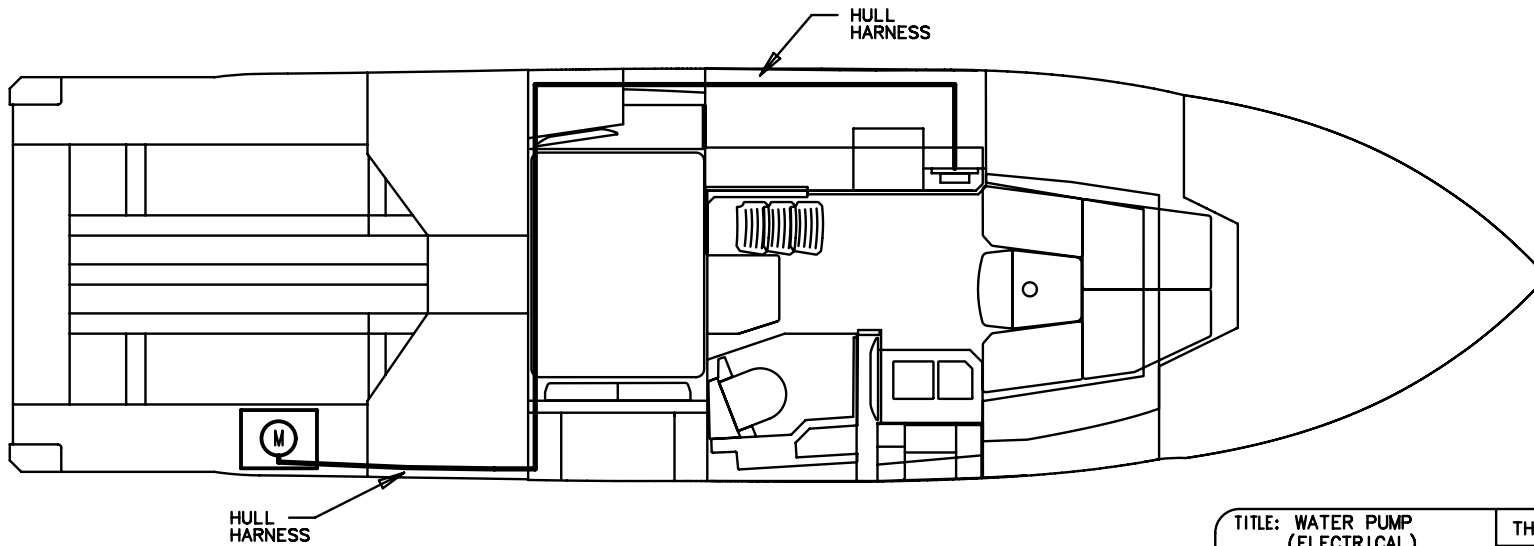
POWER LEAD  
(+RED)

GROUND  
(-BLACK)



WATER PUMP  
(ENGINE AREA)

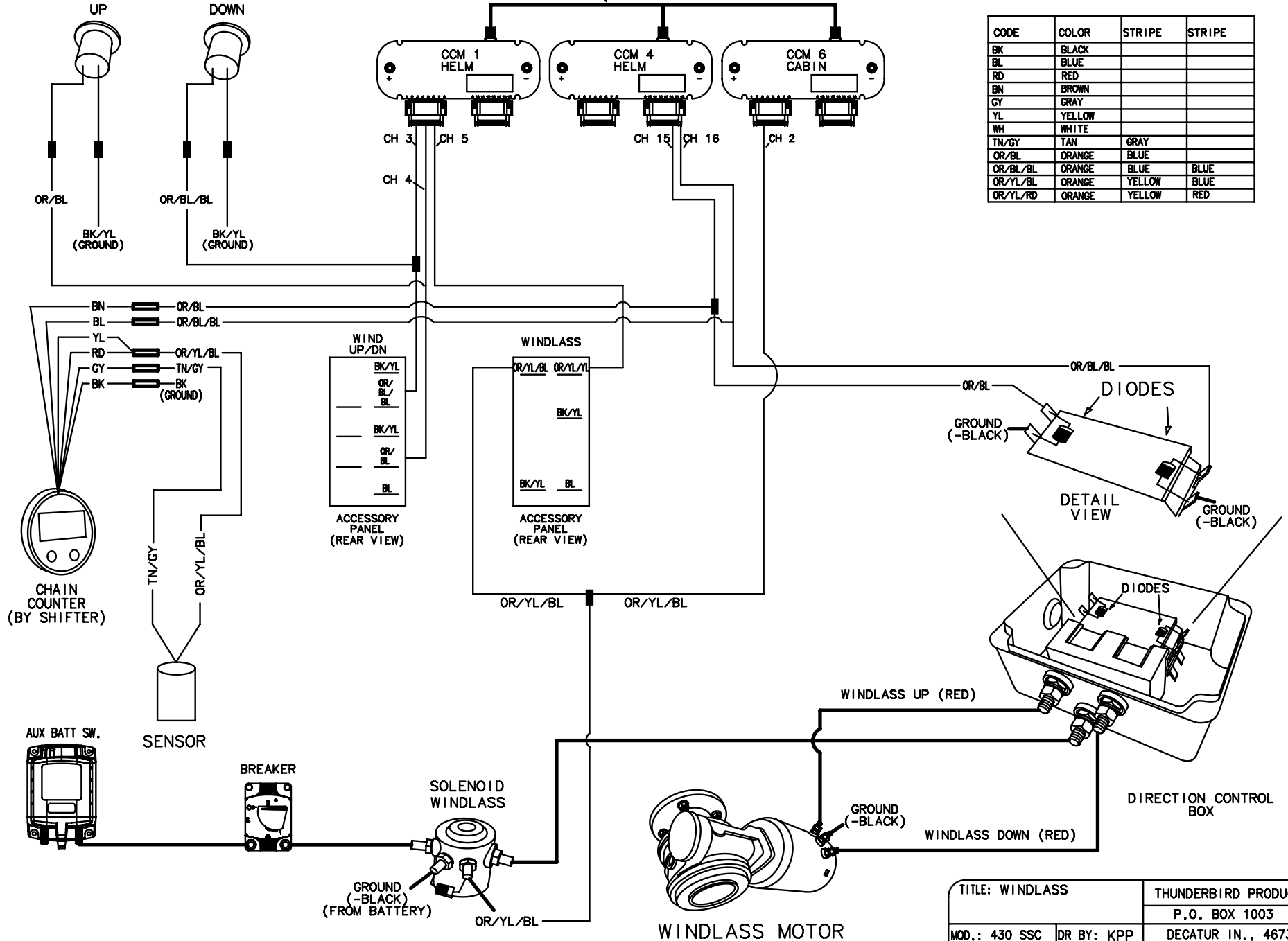
POWER LEAD  
(+BROWN/BLACK)



HULL  
HARNESS

TITLE: WATER PUMP (ELECTRICAL)		THUNDERBIRD PRODUCTS
		P.O. BOX 1003
MOD.: 430 SSC	DR BY: KPP	DECATUR IN., 46733
NO.: 69	DATE: 12-9-17	(260) 724-9111

# BOW WINDLASS BUTTONS

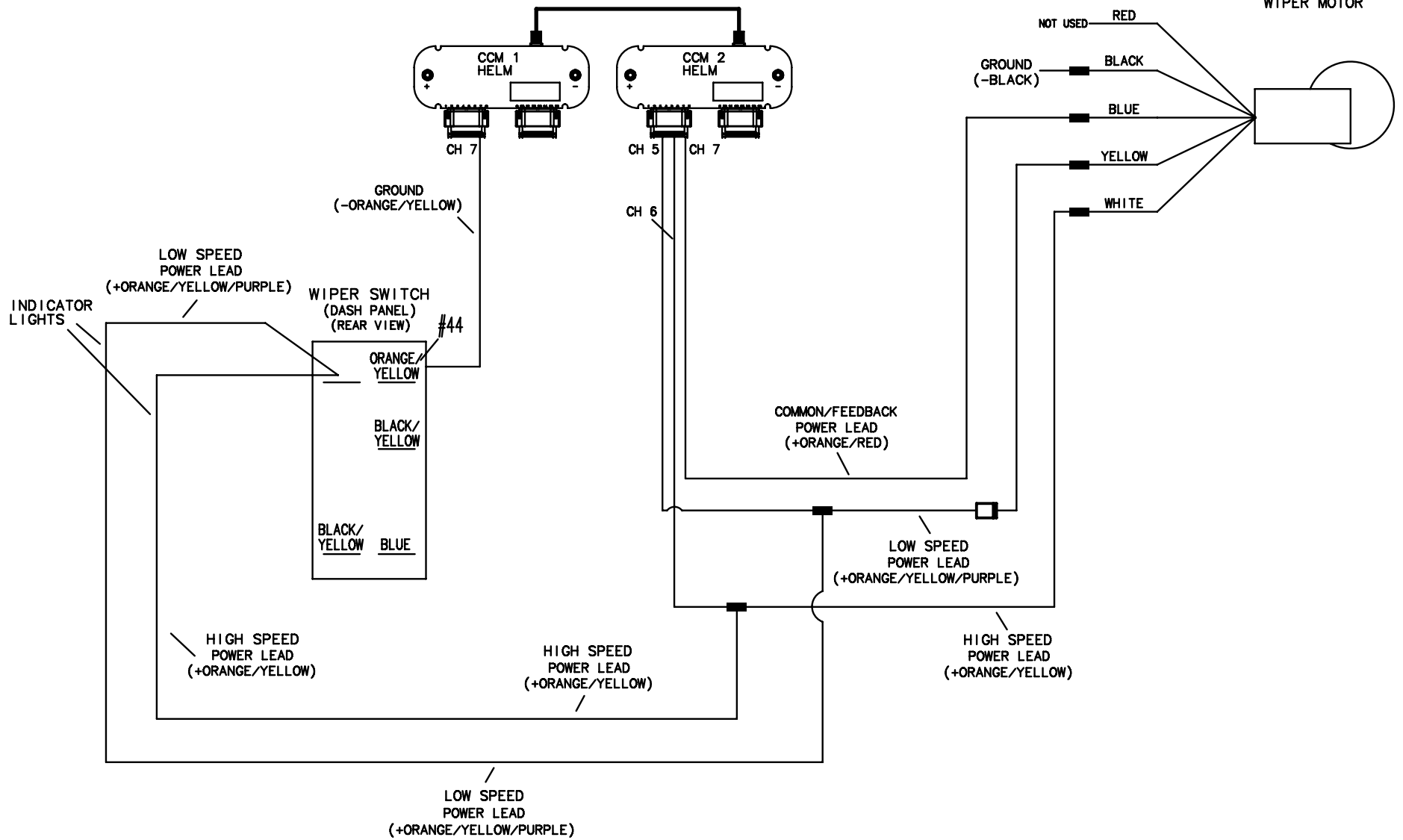


TITLE: WINDLASS		THUNDERBIRD PRODUCTS	
		P.O. BOX 1003	
MOD.: 430 SSC	DR BY: KPP	DECATUR IN., 46733	
NO.: 70	DATE: 12-9-17	(260) 724-9111	

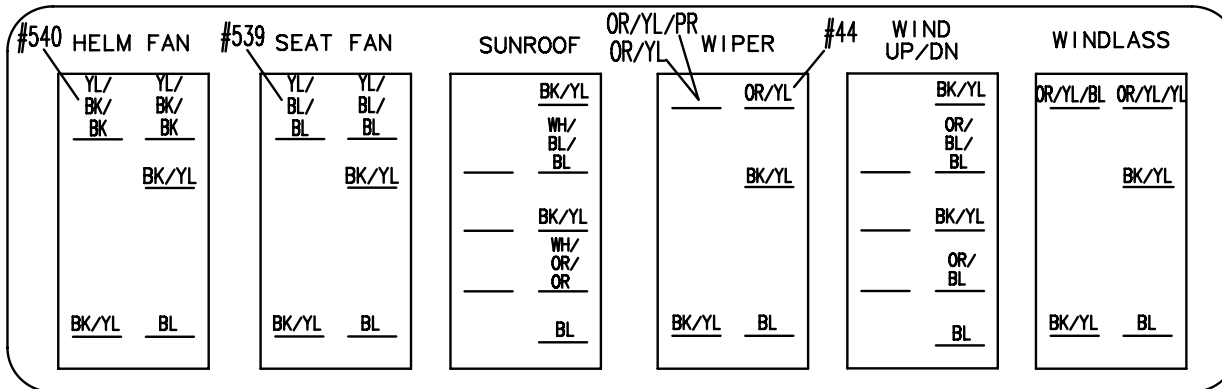
# LEGEND

CONNECTOR 

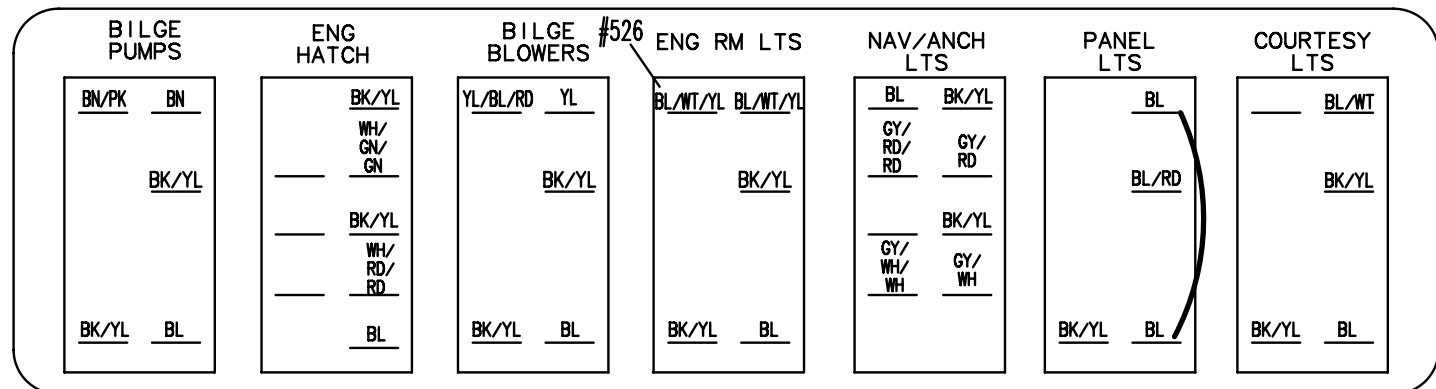
DIODE 



TITLE: WIPER		THUNDERBIRD PRODUCTS
		P.O. BOX 1003
MOD.: 430 SSC	DR BY: KPP	DECATUR IN., 46733
NO.: 71	DATE: 12-9-17	(260) 724-9111



STBD

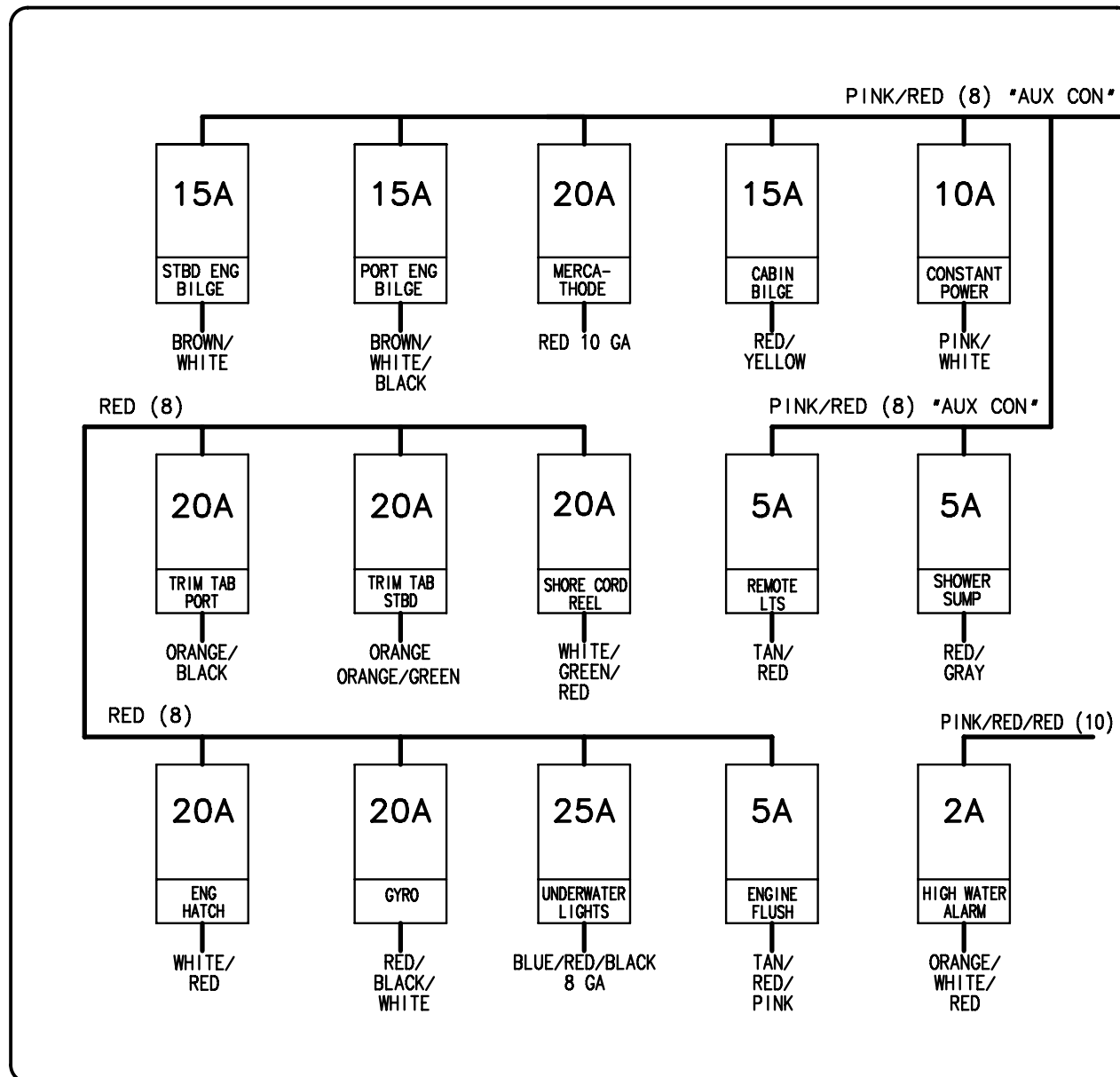


PORT

(REAR VIEW)

TITLE: ACCESSORY PANEL		THUNDERBIRD PRODUCTS
		P.O. BOX 1003
MOD.: 430 SSC	DR BY: KPP	DECATUR IN., 46733
NO.: 72	DATE: 12-9-17	(260) 724-9111

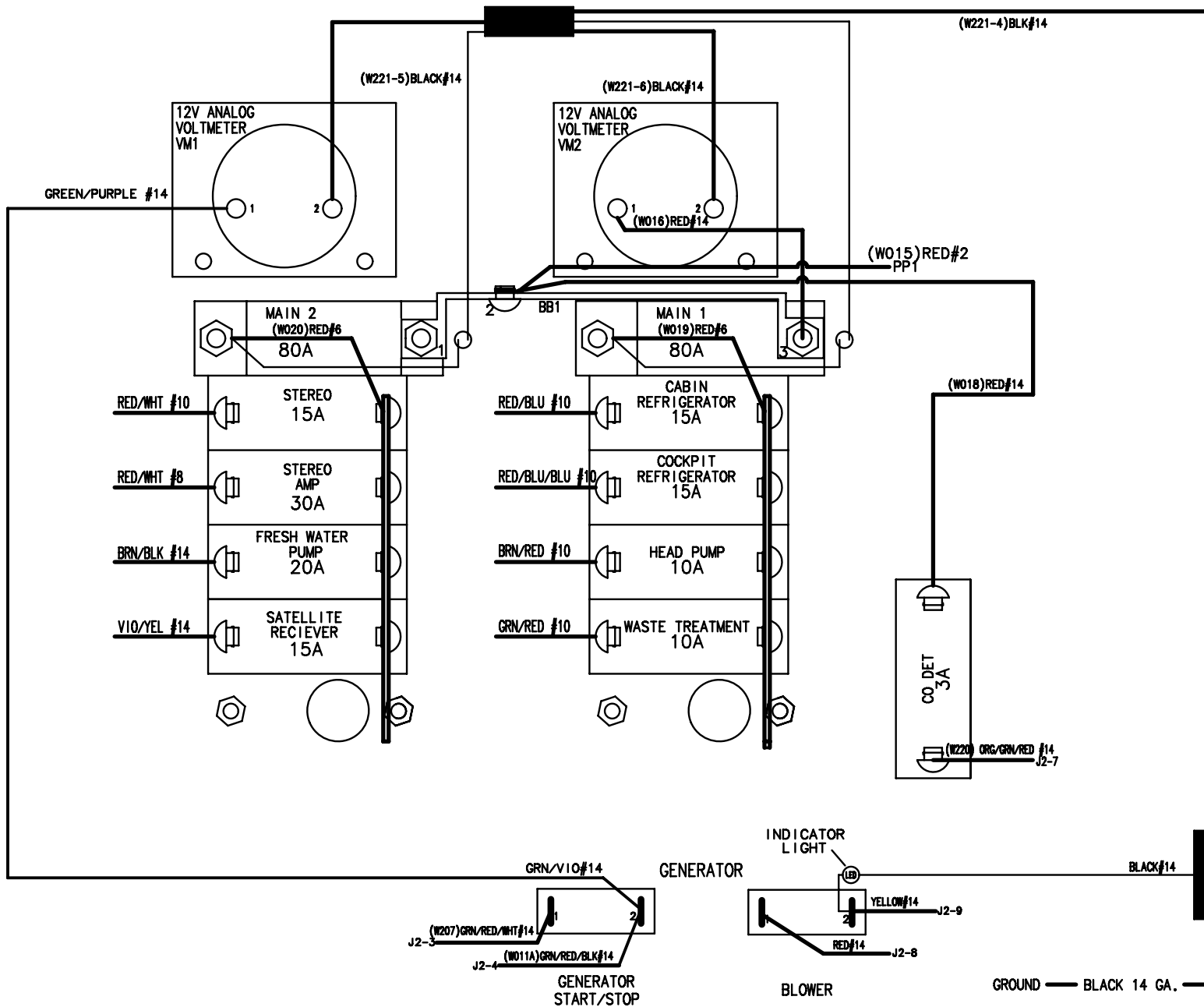




(REAR VIEW)  
 (LOCATED PORT SIDE  
 OF ENGINE AREA)

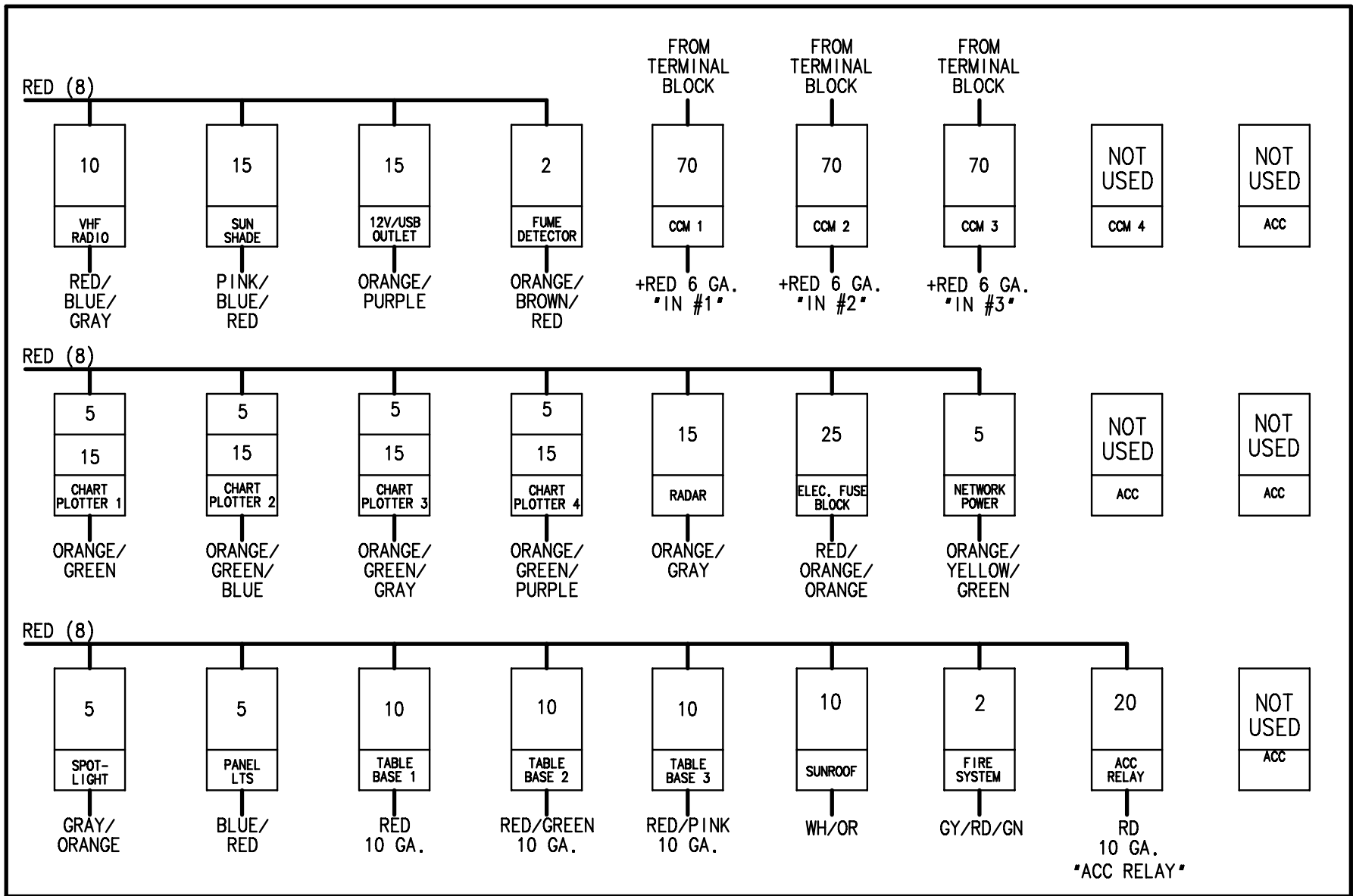
NOTE: BREAKER SIZES SUBJECT TO  
 CHANGE WITHOUT NOTICE.

TITLE: AFT BREAKER PANEL		THUNDERBIRD PRODUCTS
		P.O. BOX 1003
MOD.: 430 SSC	DR BY: KPP	DECATUR IN., 46733
NO.: 73	DATE: 12-9-17	(260) 724-9111



NOTE: BREAKER SIZES SUBJECT TO CHANGE WITHOUT NOTICE.

TITLE: CABIN DC PANEL		THUNDERBIRD PRODUCTS
		P.O. BOX 1003
MOD.: 430 SSC	DR BY: KPP	DECATUR IN., 46733
NO.: 74	DATE: 12-9-17	(260) 724-9111



(REAR VIEW)

NOTE: BREAKER SIZES SUBJECT TO CHANGE WITHOUT NOTICE.

TITLE: DASH BREAKER PANEL		THUNDERBIRD PRODUCTS
		P.O. BOX 1003
MOD.: 430 SSC	DR BY: KPP	DECATUR IN., 46733
NO.: 75	DATE: 12-9-17	(260) 724-9111

DOCKING  
LTS

RED/ RED  
BLACK

BLACK/  
YELLOW

BLACK/ BLUE  
YELLOW

SPREADER  
LTS

WHITE/ WHITE/  
TAN/ TAN  
TAN

BLACK/  
YELLOW

BLACK/ BLUE  
YELLOW

UWL  
LTS

BLUE/ BLUE/  
PURPLE/ GREEN/  
PURPLE GREEN

BLACK/  
YELLOW

BLACK/ BLUE  
YELLOW

(REAR VIEW)

TITLE: HELM SWITCH PANEL		THUNDERBIRD PRODUCTS
		P.O. BOX 1003
MOD.: 430 SSC	DR BY: KPP	DECATUR IN., 46733
NO.: 76	DATE: 12-9-17	(260) 724-9111

# LEGEND

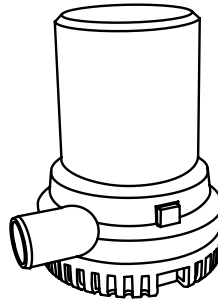
MOTOR/PUMP



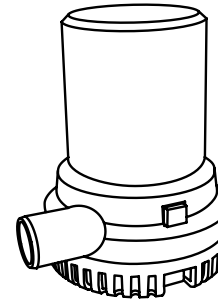
BILGE HOSE 1 1/8"



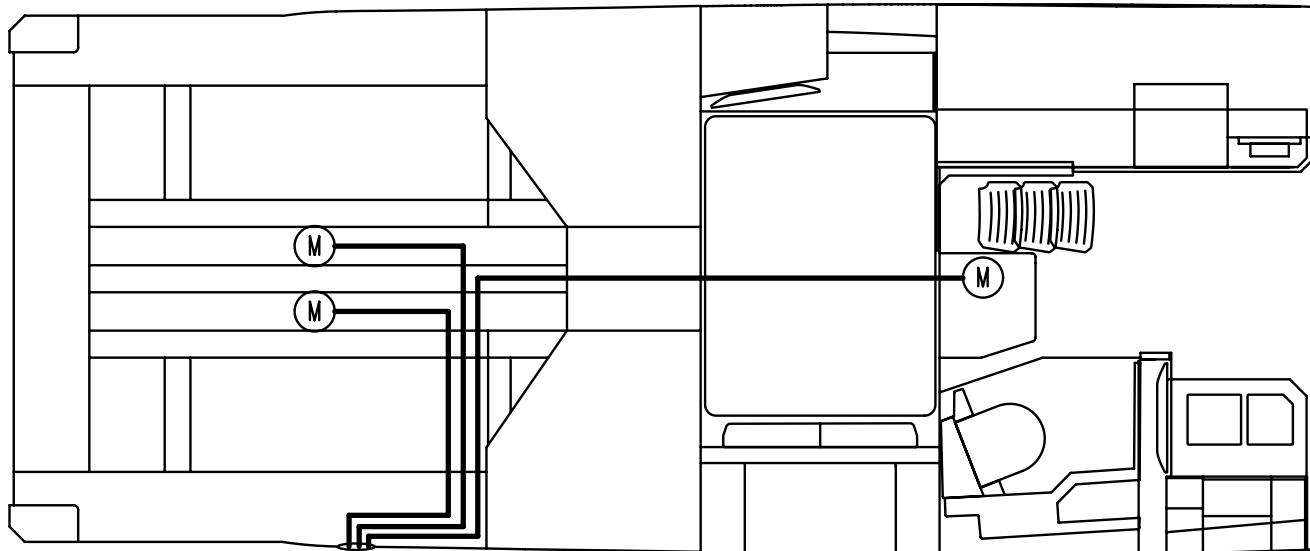
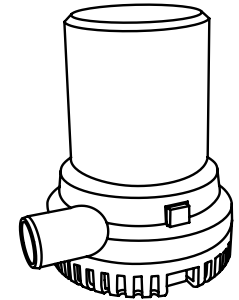
BILGE PUMP  
(ENGINE AREA)



BILGE PUMP  
(ENGINE AREA)



BILGE PUMP  
(CABIN)

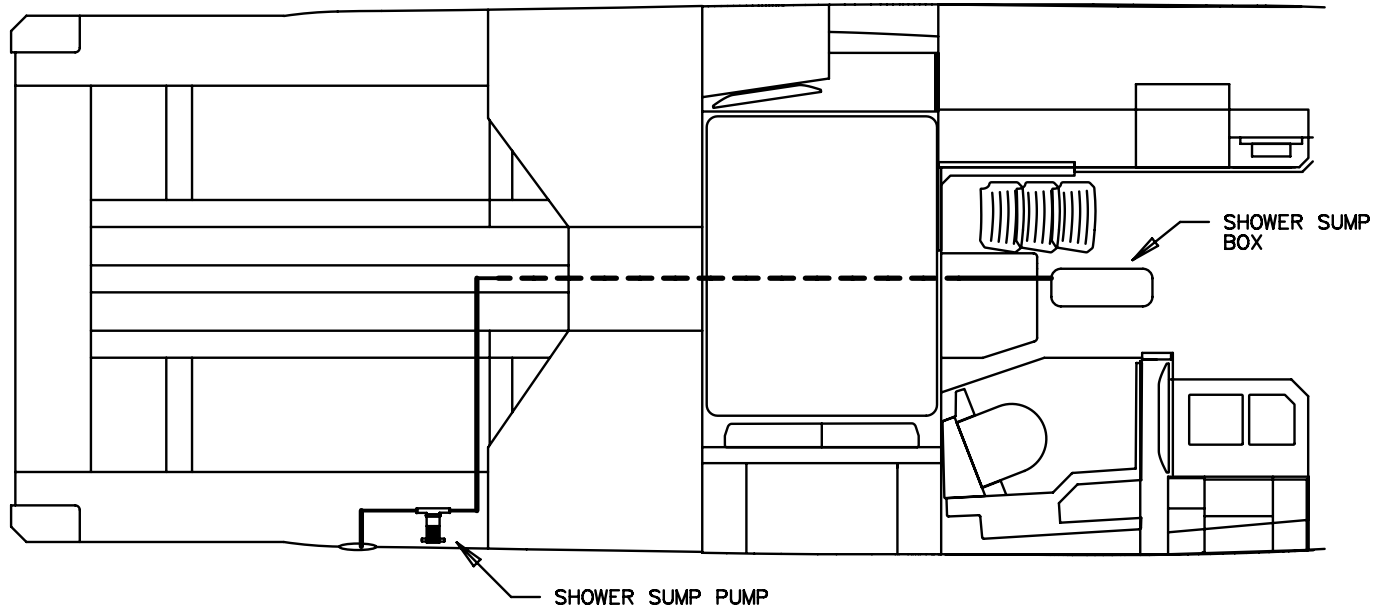


TITLE: BILGE PUMPS PLUMBING		THUNDERBIRD PRODUCTS
		P.O. BOX 1003
MOD.: 430 SSC	DR BY: KPP	DECATUR IN., 46733
NO.: 77	DATE: 12-9-17	(260) 724-9111

# LEGEND

DRAIN HOSE ———

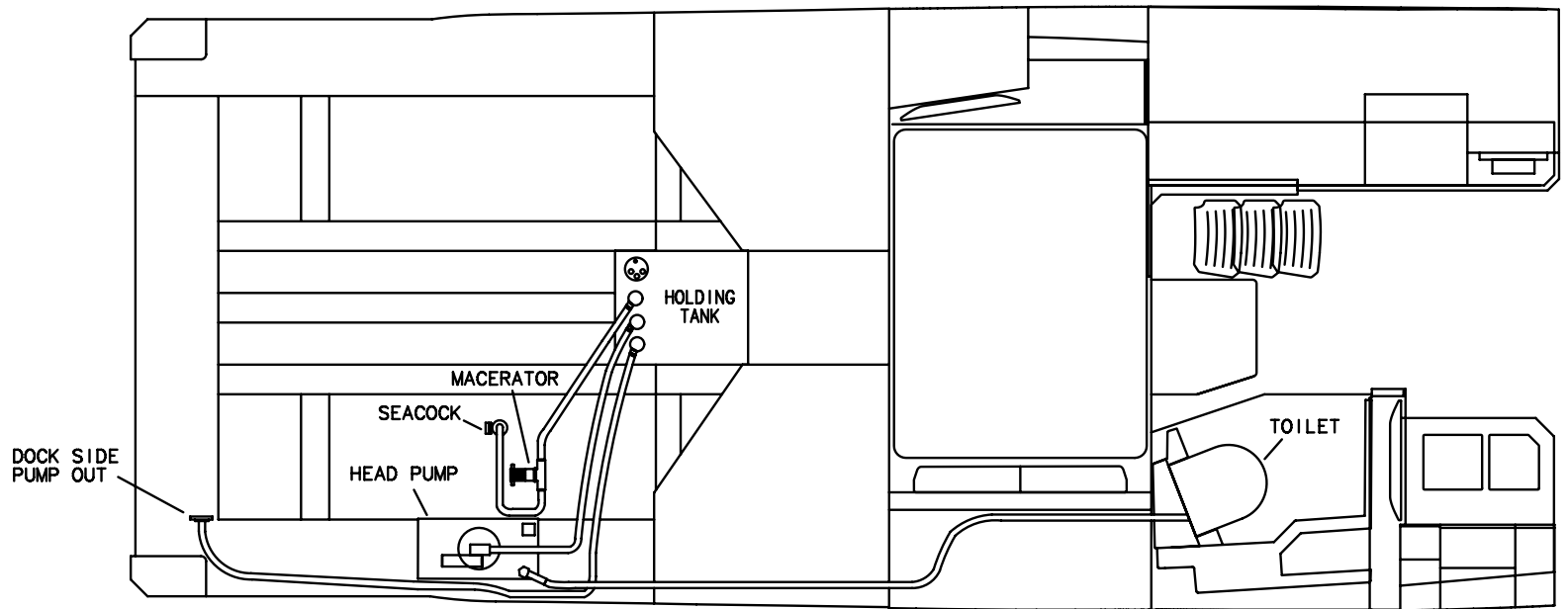
PVC HOSE - - - - -



TITLE: SHOWER SUMP (PLUMBING)		THUNDERBIRD PRODUCTS
		P.O. BOX 1003
MOD.: 430 SSC	DR BY: KPP	DECATUR IN., 46733
NO.: 78	DATE: 12-9-17	(260) 724-9111

# LEGEND

1 1/4 INCH  
SANITATION HOSE 



TITLE: WASTE SYSTEM W/ OPT. MAC (PLUMBING)		THUNDERBIRD PRODUCTS
		P.O. BOX 1003
MOD.: 430 SSC	DR BY: KPP	DECATUR IN., 46733
NO.: 79	DATE: 12-9-17	(260) 724-9111

# LEGEND

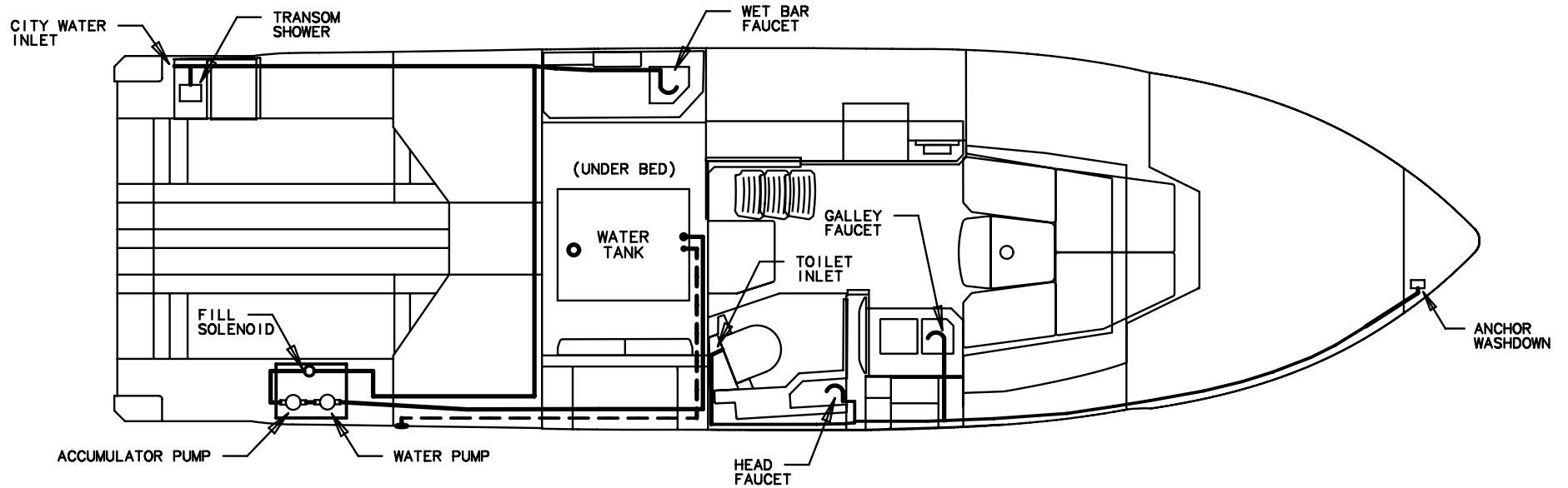
MOTOR



WATER LINE

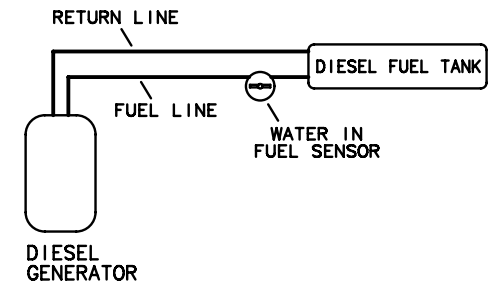
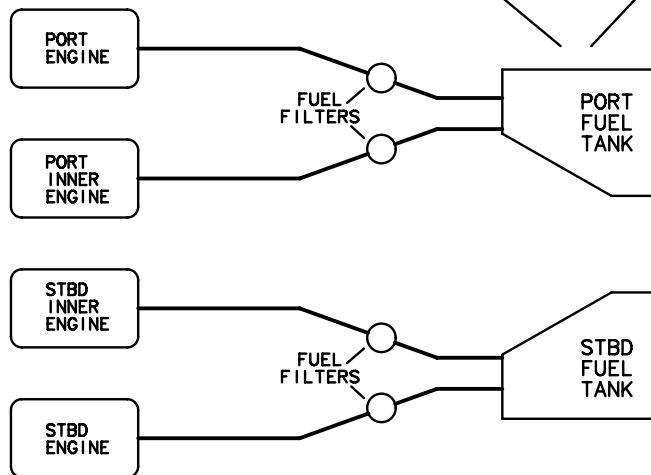
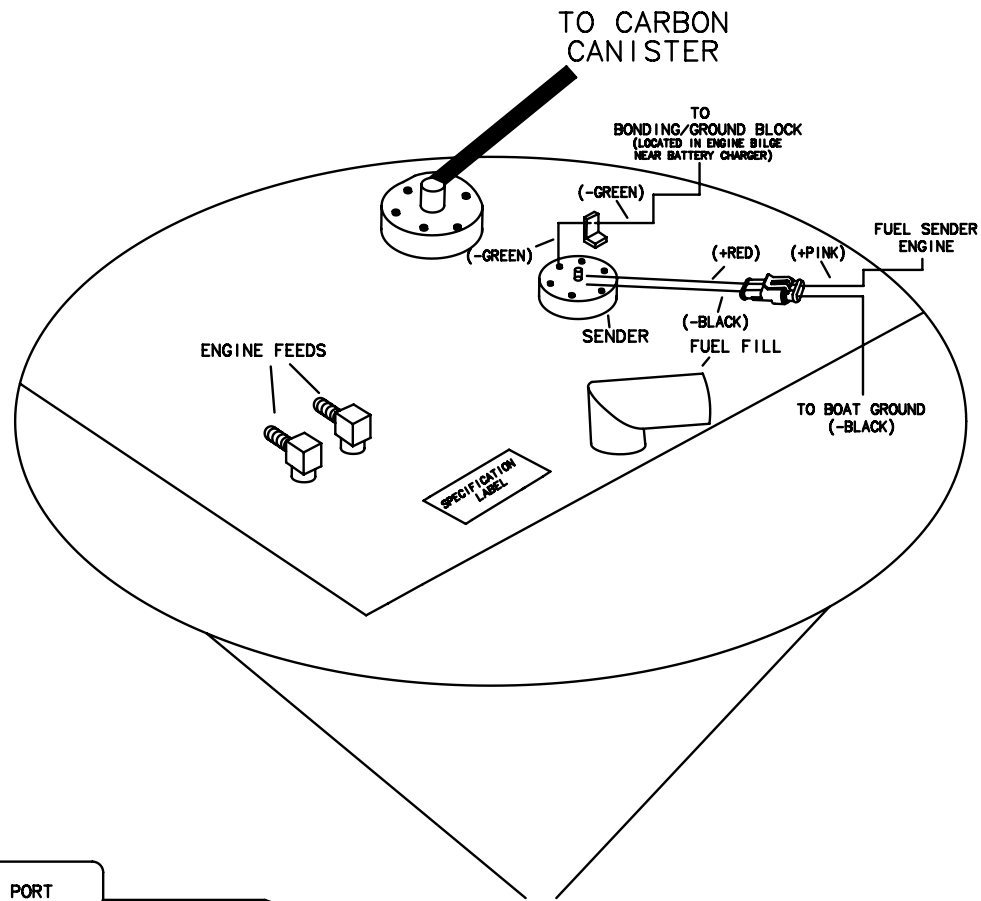


WATER TANK VENT



TITLE: WATER SYSTEM (PLUMBING)		THUNDERBIRD PRODUCTS
		P.O. BOX 1003
MOD.: 430 SSC	DR BY: KPP	DECATUR IN., 46733
NO.: 80	DATE: 12-9-17	(260) 724-9111





TITLE: FUEL PLUMBING		THUNDERBIRD PRODUCTS
		P.O. BOX 1003
MOD.: 430 SSC	DR BY: KPP	DECATUR IN., 46733
NO.: 81	DATE: 12-9-17	(260) 724-9111